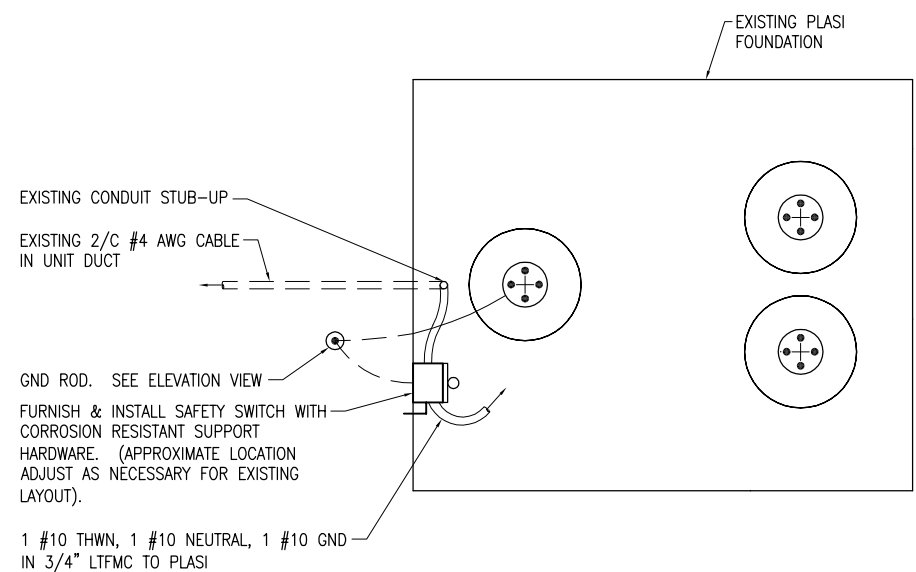
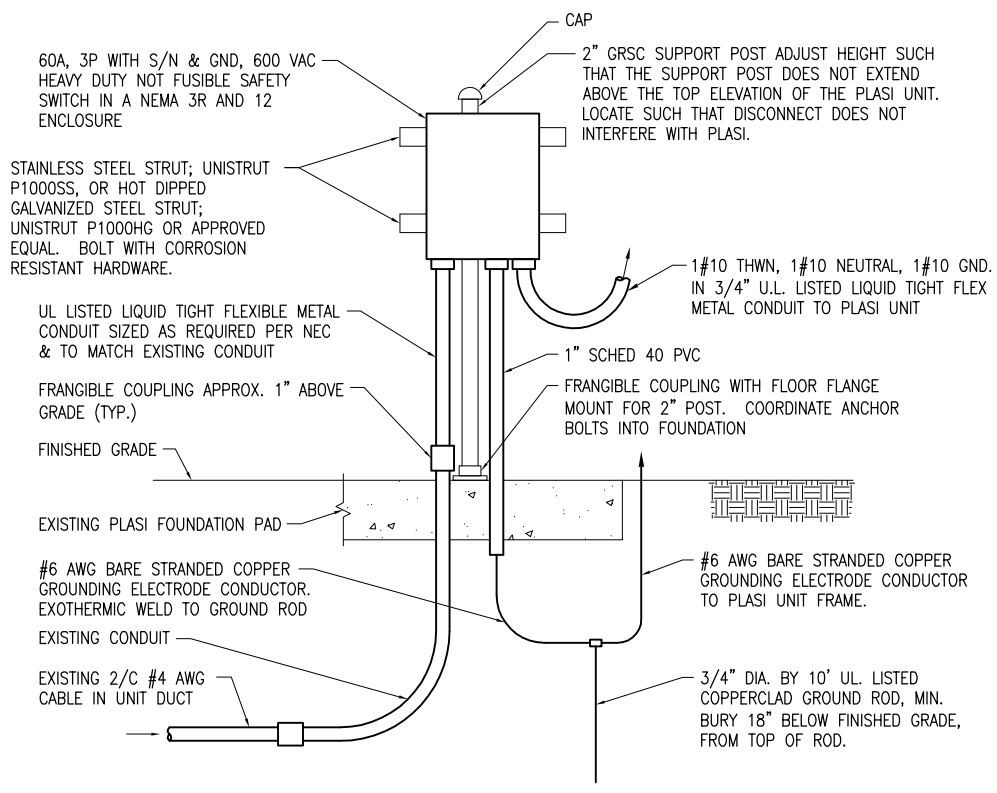


NOTES

1. PLASI UNITS LOCATED ON RUNWAY 9-27 ARE EXISTING. A HEAVY DUTY 60 AMP, 2 POLE OR 3 POLE WITH SOLID NEUTRAL & GND, 600 VAC NOT FUSIBLE SAFETY SWITCH IN A NEMA 3R AND 12 ENCLOSURE SHALL BE FURNISHED & INSTALLED AT EACH PLASI. 60 AMP SAFETY SWITCH IS REQUIRED TO ACCOMMODATE #4 AWG OR #2 AWG CONDUCTORS FOR LUG TERMINATIONS & WIRE BENDING SPACE. NEUTRAL SHALL BE BONDED TO GROUND IN SAFETY SWITCH & GND ROD SHALL BE INSTALLED TO CONFORM WITH NEC 250.32
2. LTFMC DENOTES LIQUID TIGHT FLEXIBLE METAL CONDUIT UL LISTED, SUITABLE FOR GROUNDING, AND SUNLIGHT RESISTANT. NEC 350.6 NOTES LIQUID TIGHT FLEXIBLE METAL CONDUIT AND ASSOCIATED FITTINGS SHALL BE LISTED. DO NOT INSTALL LTFMC THAT IS NOT UL LISTED. CONFIRM LTFMC BEARS THE UL LABEL PRIOR TO INSTALLATION
3. CONTRACTOR SHALL FURNISH & INSTALL BOOST TRANSFORMERS FOR PLASI UNITS IN THE VAULT. BOOST TRANSFORMERS SHALL BE SIZED & CONNECTED TO PROVIDE THE PROPER VOLTAGE AT THE RESPECTIVE PLASI UNIT AS RECOMMENDED BY THE PLASI MANUFACTURER (DEVORE AVIATION CORPORATION, 6104 JEFFERSON BLVD, N.E., ALBUQUERQUE, NEW MEXICO 87109-3410, PHONE: 505-345-8713, FAX: 505-344-3835).
4. INSTALLATION OF THE SAFETY SWITCH AND ASSOCIATED CONDUIT, WIRING, FITTINGS, GROUNDING, & ACCESSORIES FOR EACH PLASI UNIT SHALL BE PAID FOR UNDER ITEM AR125989 REFURBISH PLASI PER EACH.
5. SAFETY SWITCHES SHALL BE MANUFACTURED IN THE UNITED STATES OF AMERICA TO COMPLY WITH THE AIRPORT IMPROVEMENT PROGRAM BUY AMERICAN REQUIREMENTS. PROVIDE CERTIFICATION OF MANUFACTURE IN THE UNITED STATES WITH SHOP DRAWING SUBMITTAL.

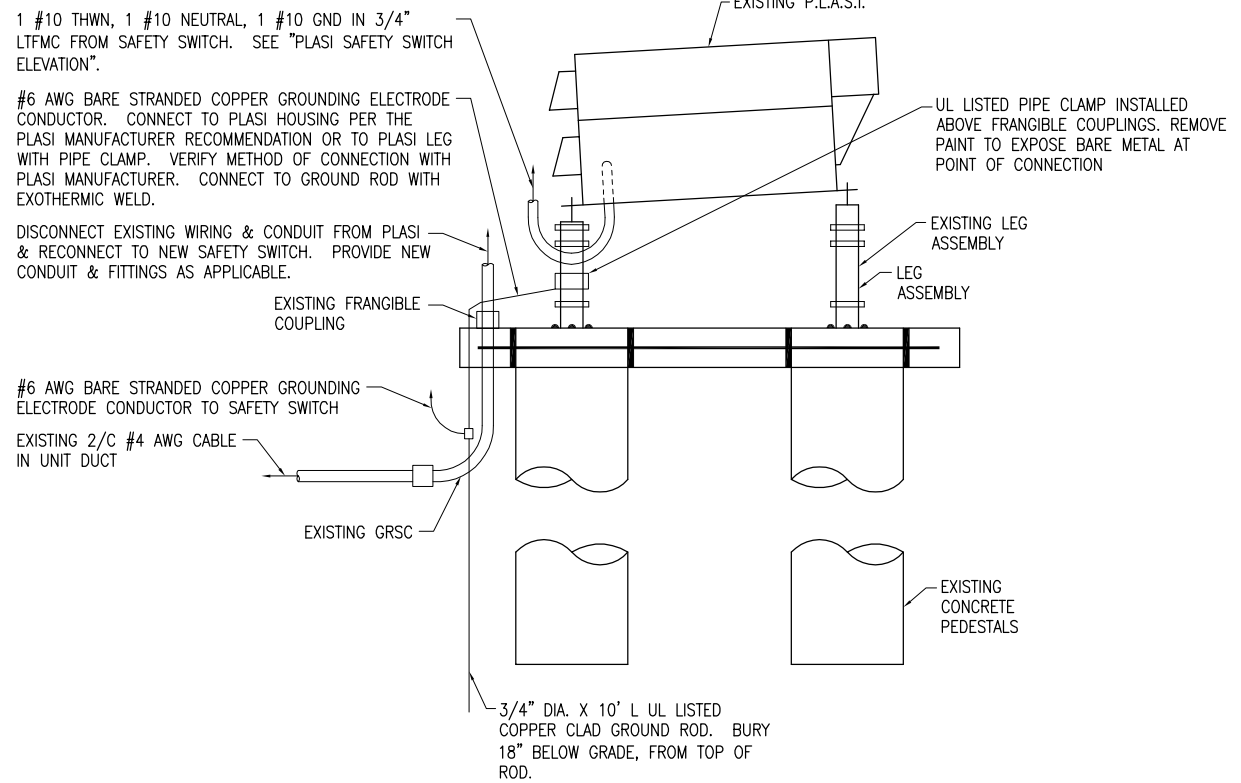


PLASI FOUNDATION PLAN VIEW



NOTE: SEE NEW ELECTRICAL ONE LINE DIAGRAM FOR VAULT AND PLASI FOR ADDITIONAL INFORMATION ON EQUIPMENT AND WIRING.

PLASI SAFETY SWITCH ELEVATION
"NOT TO SCALE"



PLASI ELEVATION

ALL WORK SHOWN ON THIS SHEET SHALL BE PAID FOR UNDER ITEM AR125989 - REFURBISH PLASI - PER EA.

MAR 11, 2011 11:19 AM RINKED0461 C:\PWISE_WORK\DO_NOT_DELETE\DM18063\R-542ELE.DWG

REVISION	DATE

EDGAR COUNTY AIRPORT
PARIS, ILLINOIS
A.I.P. PROJ.: 3-17-0077-B13
IL PROJ.: PRG-4018

Hanson Proj. No. 10A0053	File Name R-542ELE.DWG	Scale NONE	Date 03/10/11
LAYOUT	KNL	02/03/11	
DRAWN	MLH	02/04/11	
REVIEWED	CAH	02/04/11	

HANSON
Professional Services Inc. 2011
1525 South Sixth Street
Springfield, Illinois 62703-2886
www.hanson-inc.com
Offices Nationwide

CONSTRUCT CROSSWIND
RUNWAY 18-36
RUNWAY 9-27 PLASI WIRING
DETAILS AND NOTES