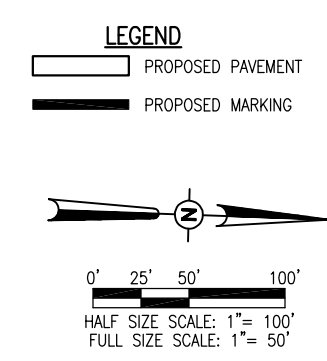


MARKING QUANTITIES			
DESCRIPTION	UNIT AREA	NO. REQUIRED	TOTAL AREA
RUNWAY CENTERLINE STRIPE	360	14.74	5,306
NUMBER 1	318	1	318
NUMBER 3	634	1	634
NUMBER 6	712	1	712
NUMBER 8	876	1	876
THRESHOLD STRIPES	862.50	12	10,350
TOTAL WHITE			18,196
TURNAROUND HOLDING LINE	210	2	420
RUNWAY 18-36 HOLDING LINE	225	2	450
RUNWAY 9-27 HOLDING LINE	225	2	450
TAXIWAY B HOLDING LINE	105	2	210
TAXIWAY CENTERLINE STRIPE	1,008	1	933
TOTAL YELLOW			2,463
RUNWAY CENTERLINE STRIPE	124	14.74	1,828
NUMBER 1	67.25	1	67
NUMBER 3	106	1	106
NUMBER 6	113.37	1	113
NUMBER 8	131.31	1	131
THRESHOLD STRIPES	156.75	12	1,881
TURAROUND HOLDING LINE	350	2	700
RUNWAY 18-36 HOLDING LINE	375	2	750
RUNWAY 9-27 HOLDING LINE	375	2	750
TAXIWAY B HOLDING LINE	177.09	2	354
TAXIWAY CENTERLINE STRIPE	1,008	1	933
TOTAL BLACK			7,613
TOTAL MARKING			28,272



MAR 11, 2011 11:23 AM RINWED0461 C:\PWISE_WORK\DO_NOT_DELETE\DMST8063\PR-151MRK.DWG

REVISION		EDGAR COUNTY AIRPORT PARIS, ILLINOIS A.I.P. PROJ.: 3-17-0077-B13
DATE		
HANSON Professional Services Inc. 1526 South Sixth Street Springfield, Illinois 62703-2886 www.hanson-inc.com Offices Nationwide		IL PROJ.: PRG-4018 A.I.P. PROJ.: 3-17-0077-B13
Hanson Proj. No. 10A0053 Filename R-151MRK.DWG Scale 1" = 20' Date 03/10/11	LAYOUT BAK 01/04/11 DRAWN BAK 01/04/11 REVIEWED CAH 02/11/11	CONSTRUCT CROSSWIND RUNWAY 18-36 PROPOSED MARKING PLAN STA. 123+50 TO STA. 134+00
66 66 of 137 sheets		