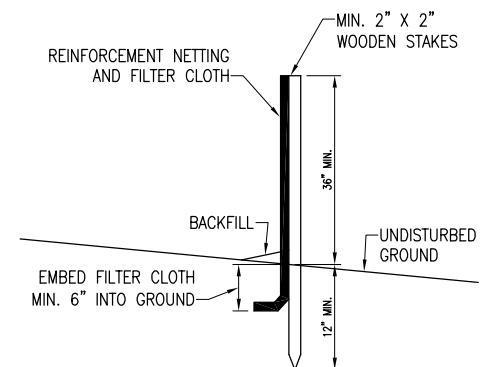


**HEADWALL STRUCTURE PROTECTION**  
"NOT TO SCALE"

**NOTE:**  
THE RIPRAP QUANTITY IN THE HEADWALL STRUCTURE PROTECTION ITEM WILL BE PAID SEPARATELY BY ITEM AR156540.



**SECTION FILTER FENCE DETAIL**  
"NOT TO SCALE"

**EROSION CONTROL NOTES**

ALL PROPOSED EROSION CONTROL MEASURES SHALL BE COMPLETED AS DETAILED ON THIS EROSION CONTROL PLAN AND IN ACCORDANCE WITH THE SPECIFICATIONS.

EROSION CONTROL MEASURES ARE GOVERNED BY THE ILLINOIS ENVIRONMENTAL PROTECTION AGENCY'S STANDARDS AND SPECIFICATIONS FOR SOIL EROSIONS AND SPECIFICATION FOR SOIL EROSIONS AND SEDIMENT CONTROL.

FILTER FENCE FOR STRUCTURE PROTECTION AS SHOWN ON THIS SHEET.

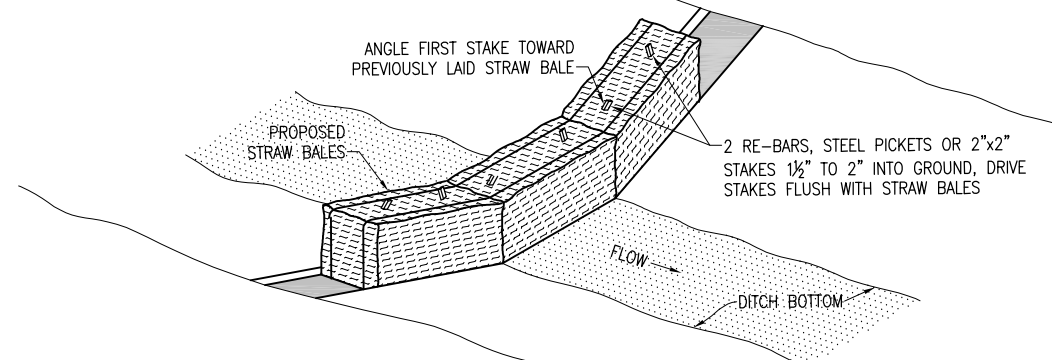
THE PROPOSED HEADWALL PROTECTION WILL BE PLACED AT THE LOCATIONS SHOWN ON THIS SHEET.

INSPECTION OF THE HEADWALL PROTECTION SHALL BE FREQUENT AND REPAIR/REPLACEMENT SHALL BE MADE PROMPTLY AS NEEDED.

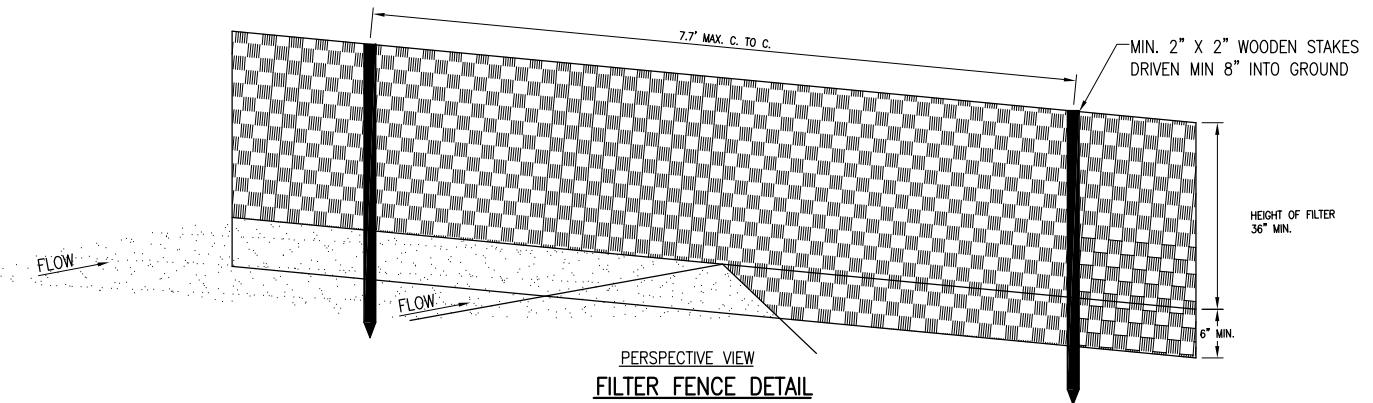
EROSION CONTROL FENCE SHALL BE REMOVED WHEN THEY HAVE SERVED THEIR USEFULNESS SO AS NOT TO BLOCK OR IMPEDE STORM WATER DRAINAGE.

COST OF REMOVAL AND REPLACEMENT SHALL BE INCLUDED IN THE UNIT PRICE FOR ITEM AR156510 SILT FENCE.

HEADWALL PROTECTION IS TO INCLUDE ALL INCIDENTALS NECESSARY TO CONSTRUCT THESE ITEMS AND WILL BE PAID FOR UNDER ITEM: AR156520 INLET PROTECTION.



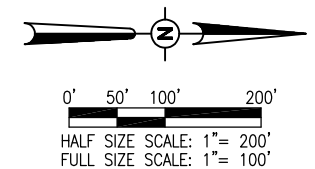
**DITCH CHECK DETAIL**  
"NOT TO SCALE"



**PERSPECTIVE VIEW FILTER FENCE DETAIL**  
"NOT TO SCALE"

**LEGEND**

- EXISTING IMPROVEMENTS
- PROPOSED IMPROVEMENTS
- EXISTING STORM SEWER
- PROPOSED STORM SEWER
- EXISTING PAVED DITCH
- PROPOSED DITCH CHECK
- PROPOSED HEADWALL PROTECTION
- EXISTING CONCRETE FLARED END SECTION
- PROPOSED CONCRETE FLARED END SECTION
- EXISTING HEADWALL
- PROPOSED HEADWALL



DATE	REVISION	BY

**LITCHFIELD MUNICIPAL AIRPORT  
LITCHFIELD, ILLINOIS**

Hanson Project No. 10A0094D_0800	LAYOUT	MDR	02/11/11
Filename: R-181SWP.DWG	DRAWN	MDR	02/11/11
Scale: 1"=XX'	REVIEWED	CAH	02/17/11
Date: 02/04/11			



**TAXIWAY "C"  
EXTENSION**  
PROPOSED STORMWATER  
POLLUTION PREVENTION PLAN

MAR 14 2011 10:13 AM HAGL00382 I:\AIRPORTS\LITCHFIELD\10A0094\CADD\AIRPORT\SHEET\R-181SWP.DWG - SWPP