

MODEL: Default
 FILE NAME: P:\Illinois\Bentley.com\PROJECTS\Documents\DOT_Offices\Dirct_3\Projects\366656\CD03a3a10366656-1nc-500.dgn

CODE NO.	ITEM	UNIT	TOTAL QUANTITY	CONSTR. CODE	
				80% FED 20% STATE	
				FUND CODE	STP
				ROADWAY	RURAL
40600290	BITUMINOUS MATERIALS (TACK COAT)	POUND	83513	83513	
40600370	LONGITUDINAL JOINT SEALANT	FOOT	50383	50383	2
40600400	MIXTURE FOR CRACKS, JOINTS, AND FLANGWAYS	TON	37.1	37.1	
40600900	HOT-MIX ASPHALT BINDER COURSE (HAND METHOD), N50	TON	61.3	61.3	
40600982	HOT-MIX ASPHALT SURFACE REMOVAL - BUTT JOINT	SQ YD	362	362	
40600990	TEMPORARY RAMP	SQ YD	706	706	
40603080	HOT-MIX ASPHALT BINDER COURSE, 1L-19.0, N50	TON	14834	14834	
40604050	HOT-MIX ASPHALT SURFACE COURSE, 1L-9.5, MIX "C", N50	TON	10163	10163	
40800050	INCIDENTAL HOT-MIX ASPHALT SURFACING	TON	700	700	2
42000060	WELDED WIRE REINFORCEMENT	SQ YD	663	663	
42400100	PORTLAND CEMENT CONCRETE SIDEWALK 4 INCH	SQ FT	512	512	
* 42400800	DETECTABLE WARNINGS	SQ FT	100	100	
44000100	PAVEMENT REMOVAL	SQ YD	55	55	
44000164	HOT-MIX ASPHALT SURFACE REMOVAL, 3 3/4"	SQ YD	117737	117737	

*= SPECIALTY ITEM

USER NAME = NOLASCOCJ	DESIGNED -	REVISED -
PLOT SCALE = 100.0000' / in.	DRAWN -	REVISED -
PLOT DATE = 2/7/2022	CHECKED -	REVISED -
	DATE -	REVISED -

**STATE OF ILLINOIS
 DEPARTMENT OF TRANSPORTATION**

SUMMARY OF QUANTITIES

SCALE: SHEET OF SHEETS STA. TO STA.

F.A.S. RTE.	SECTION	COUNTY	TOTAL SHEETS	SHEET NO.
315	(121,122)RS-3	IROQUOIS	33	4
ILLINOIS FED. AID PROJECT			CONTRACT NO. 66D60	

CODE NO.	ITEM	UNIT	TOTAL QUANTITY	CONSTR. CODE	
				80% FED 20% STATE	
				FUND CODE	
				ROADWAY	STP
				0005	RURAL
44000600	SIDEWALK REMOVAL	SQ FT	299	299	
44200976	CLASS B PATCHES, TYPE IV, 10 INCH	SQ YD	627	627	
44200998	CLASS B PATCHES, TYPE III, 12 INCH	SQ YD	69	69	
44201299	DOWEL BARS 1 1/2"	EACH	597	597	
44213200	SAW CUTS	FOOT	985	985	
44213204	TIE BARS 3/4"	EACH	597	597	
48102100	AGGREGATE WEDGE SHOULDER, TYPE B	TON	1499	1499	
50105220	PIPE CULVERT REMOVAL	FOOT	126	126	
542A5473	PIPE CULVERTS, CLASS A, TYPE 1 EQUIVALENT ROUND-SIZE 18"	FOOT	160	160	
54213663	PRECAST REINFORCED CONCRETE FLARED END SECTIONS 18"	EACH	8	8	
54390160	INSERTION CULVERT LINER 21"	FOOT	42	42	
60605000	COMBINATION CONCRETE CURB AND GUTTER, TYPE B-6.24	FOOT	238	238	
60905305	BOX CULVERTS TO BE CLEANED	FOOT	396	396	
60920018	PIPE CULVERTS TO BE CLEANED 18"	FOOT	174	174	
63500105	DELINEATORS	EACH	26	26	

2

2

MODEL: Default
 FILE NAME: P:\Illinois\Bentley.com\PROJECTS\Documents\DOT_Offices\District_3\Projects\366666\CD032310366666-11c-500.dgn

USER NAME = NOLASCOCJ	DESIGNED -	REVISED -
PLOT SCALE = 100.0000' / in.	DRAWN -	REVISED -
PLOT DATE = 2/7/2022	CHECKED -	REVISED -
	DATE -	REVISED -

STATE OF ILLINOIS
DEPARTMENT OF TRANSPORTATION

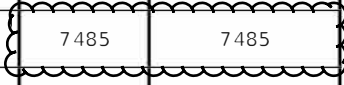
SUMMARY OF QUANTITIES			
SCALE:	SHEET	OF	SHEETS

F.A.S. RTE.	SECTION	COUNTY	TOTAL SHEETS	SHEET NO.
315	(121,122)RS-3	IROQUOIS	33	5
ILLINOIS FED. AID PROJECT				

MODEL: Default
 FILE NAME: P:\Illinois\sw Bentley.com\PROJECTS\Documents\DOT Office\District 3\Projects\366656\CD03a3a30366656-1nc-500.dgn

CODE NO.	ITEM	UNIT	TOTAL QUANTITY	CONSTR. CODE	
				80% FED 20% STATE	
				FUND CODE	STP
				ROADWAY	RURAL
* 78011000	GROOVING FOR RECESSED PAVEMENT MARKING, LETTERS AND SYM	SQ FT	62	62	
* 78011025	GROOVING FOR RECESSED PAVEMENT MARKING 5"	FOOT	4238	4238	
* 78011035	GROOVING FOR RECESSED PAVEMENT MARKING 7"	FOOT	40	40	
* 78011045	GROOVING FOR RECESSED PAVEMENT MARKING 9"	FOOT	397	397	
* 78011065	GROOVING FOR RECESSED PAVEMENT MARKING 13"	FOOT	538	538	
* 78011125	GROOVING FOR RECESSED PAVEMENT MARKING 25"	FOOT	80	80	
* 78100100	RAISED REFLECTIVE PAVEMENT MARKER	EACH	611	611	
* 78200020	CURB REFLECTORS	EACH	13	13	
	78300200	RAISED REFLECTIVE PAVEMENT MARKER REMOVAL	EACH	611	611
	X0100025	FLOWABLE FILL	CU YD	1	1
	X0320050	CONSTRUCTION LAYOUT (SPECIAL)	L SUM	1	1
	X0326649	LINEAR DELINEATOR PANELS, 6 INCH	EACH	8	8
	X0327809	LINEAR DELINEATOR PANELS, 4 INCH	EACH	43	43
	X4401198	HOT-MIX ASPHALT SURFACE REMOVAL, VARIABLE DEPTH	SQ YD	7485	7485

*= SPECIALTY ITEM



2

USER NAME = NOLASCOCJ	DESIGNED -	REVISED -
PLOT SCALE = 100.0000' / in.	DRAWN -	REVISED -
PLOT DATE = 2/8/2022	CHECKED -	REVISED +
	DATE -	REVISED +

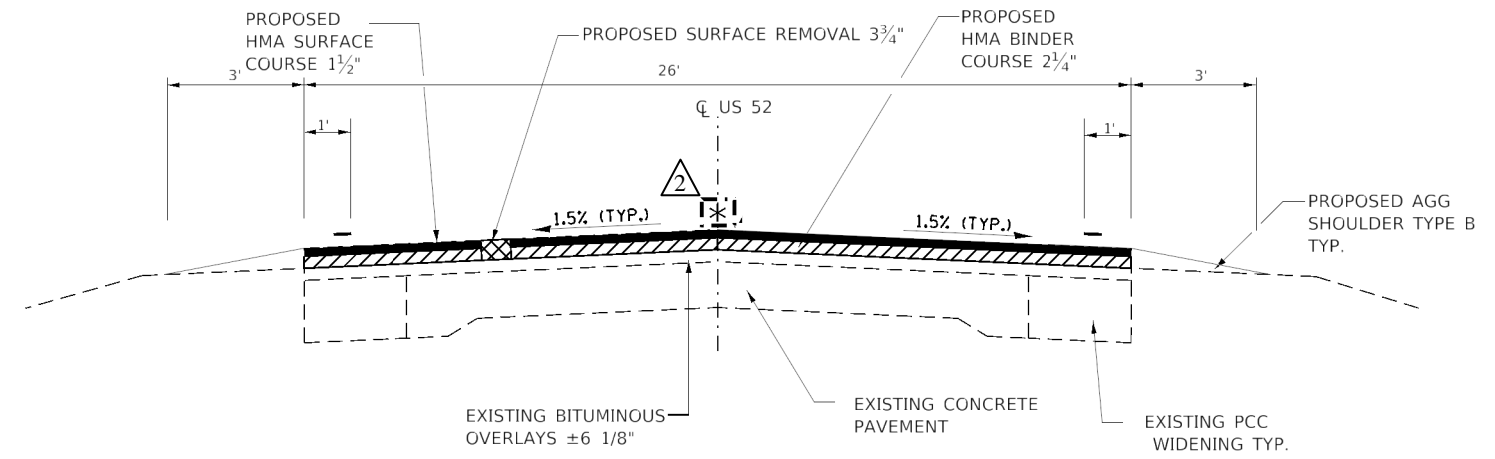
**STATE OF ILLINOIS
 DEPARTMENT OF TRANSPORTATION**

SUMMARY OF QUANTITIES

SCALE: SHEET OF SHEETS STA. TO STA.

F.A.S. RTE.	SECTION	COUNTY	TOTAL SHEETS	SHEET NO.
315	(121,122)RS-3	IROQUOIS	33	7
ILLINOIS FED. AID PROJECT			CONTRACT NO. 66D60	

NOTE: LONGITUDINAL JOINT SEALANT IS PLACED ON THE TOP OF THE BINDER COURSE JOINTS / UNDERNEATH THE SURFACE COURSE. FINAL LOCATION OF LONGITUDINAL JOINT SEALANT TO BE DETERMINED BY THE RESIDENT ENGINEER.

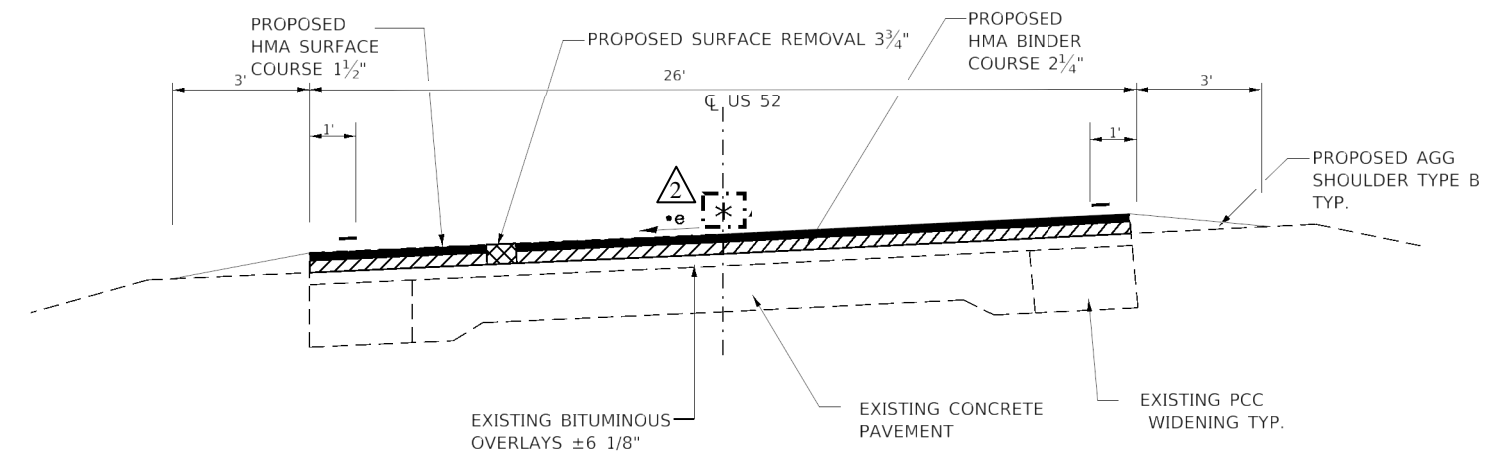
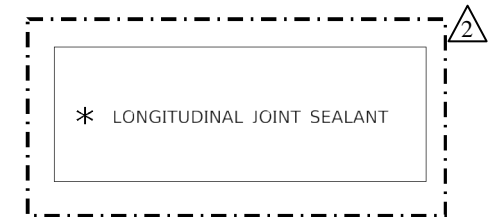


TYPICAL SECTION 1

STA 48+00 TO STA 238+80
 STA 267+05 TO STA 285+94
 STA 298+20 TO STA 316+20
 STA 326+00 TO STA 430+09.16

STATION EQUATIONS

STA 77+00.00 BK = STA 77+06.65 AH
 STA 105+94.32 BK = STA 106+00.00 AH
 STA 150+79.22 BK = STA 151+00.00 AH
 STA 161+00.00 BK = STA 160+89.77 AH
 STA 213+00.00 BK = STA 213+10.81 AH
 STA 274+48.81 BK = STA 274+56.20 AH
 STA 358+37.21 BK = STA 358+00.00 AH



TYPICAL SECTION 2

STA 238+80 TO STA 267+05
 STA 285+94 TO STA 298+20
 STA 316+20 TO STA 326+00
 *e- MATCH EXISTING

STATION EQUATIONS

STA 251+65.71 BK = STA 253+08.55 AH
 STA 256+66.43 BK = STA 256+58.17 AH
 STA 263+71.43 BK = STA 265+70.37 AH
 STA 323+ 34.10 BK = STA 323+79.25 AH

MODEL: Default
 FILE NAME: p:\w\11000000\paw\11000000.dwg
 PROJECT: 11000000
 SHEET: 33 OF 33
 DATE: 4/18/2022

USER NAME = carminsa	DESIGNED - _____	REVISED - _____
DRAWN - _____	REVISIONS - _____	REVISIONS - _____
CHECKED - _____	REVISIONS - _____	REVISIONS - _____
DATE - _____	REVISIONS - _____	REVISIONS - _____

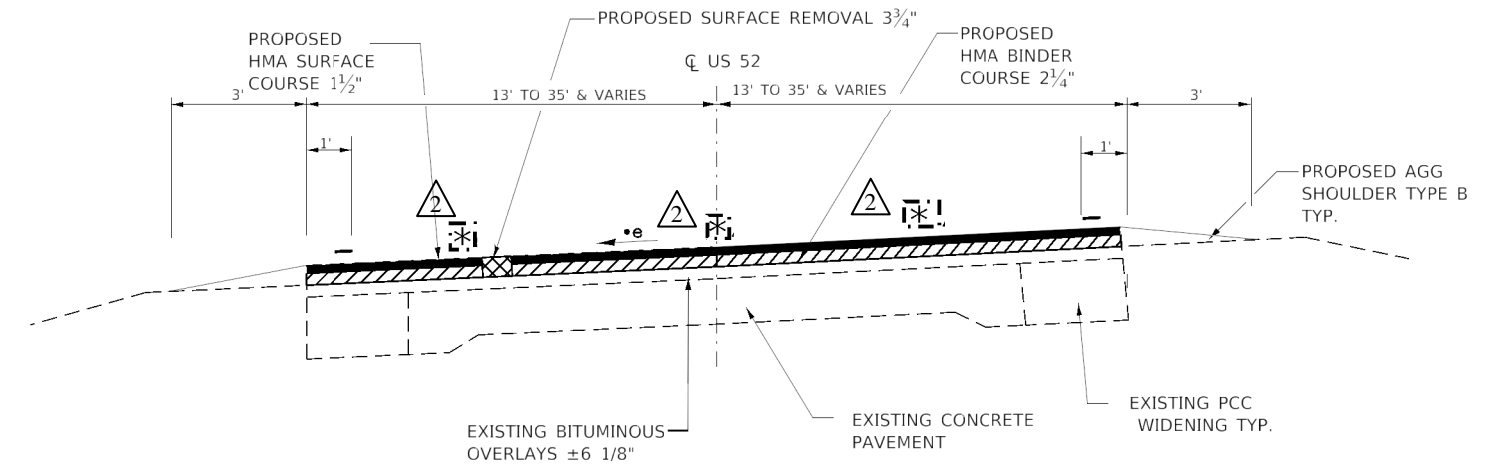
**STATE OF ILLINOIS
 DEPARTMENT OF TRANSPORTATION**

TYPICAL SECTIONS
 SCALE: _____ SHEET _____ OF _____ SHEETS STA. _____ TO STA. _____

F.A.S. RTE.	SECTION	COUNTY	TOTAL SHEETS	SHEET NO.
315	(121,122)RS-3	IROQUOIS	33	9
CONTRACT NO. 66D60				

NOTE: LONGITUDINAL JOINT SEALANT IS PLACED ON THE TOP OF THE BINDER COURSE JOINTS / UNDERNEATH THE SURFACE COURSE. FINAL LOCATION OF LONGITUDINAL JOINT SEALANT TO BE DETERMINED BY THE RESIDENT ENGINEER.

2



TYPICAL SECTION 3
 STA 33+12.17 TO STA 6+17
 *e- MATCH EXISTING

* LONGITUDINAL JOINT SEALANT

STATION EQUATIONS
 STA 430+09.16 BK = STA 33+12.17 AH

MODEL: Default
 FILE NAME: \\p:\projects\pww\hertley.com\PI\DOT\Documents\DOT_Offices\District_31\Projects\12122\RS-3\66D60-shc\typical.dgn

USER NAME = carminsa	DESIGNED - _____	REVISED - _____
PLOT SCALE = 101.1935' / in.	DRAWN - _____	REVISED - _____
PLOT DATE = 4/18/2022	CHECKED - _____	REVISED - _____
	DATE - _____	REVISED - _____

**STATE OF ILLINOIS
 DEPARTMENT OF TRANSPORTATION**

TYPICAL SECTIONS	
SCALE: _____	SHEET _____ OF _____ SHEETS STA. _____ TO STA. _____

F.A.S. RTE.	SECTION	COUNTY	TOTAL SHEETS	SHEET NO.
315	(121,122)RS-3	IROQUOIS	33	10
CONTRACT NO. 66D60				
ILLINOIS FED. AID PROJECT				

MODEL: Default
FILE NAME: p:\illdot\row\berkeley.com\p\illdot\Documents\DOT_Offices\District_3\Projects\ID366D60\CADD\row\ID366D60-sht.schedule.dgn

ENTRANCE SCHEDULE										
LOCATION	SIDE	TYPE	MAT'L	WIDTH	AREA	HMA SURF	BITUMINOUS	INCIDENTAL	AGG	
						REMOVAL				
						DEPTH	(TACK	SURFACING	CSE,	
						SQ YD	COAT)	TON	TYPE B	
							POUND		TON	
RURAL										
STA 67+55	RT	CE	HMA	84	840	93	42	14		
STA 68+00	LT	FE	AGG	18	54				0.3	
STA 98+23	LT	FE	AGG	15	45				0.3	
STA 127+00	RT	FE	AGG	22	66				0.4	
STA 136+90	LT	FE	AGG	21	63				0.4	
STA 139+05	RT	CE	HMA	49	490	54	25	8		
STA 191+00	LT	FE	AGG	17	51				0.3	
STA 221+80	LT	FE	AGG	14	42				0.3	
STA 242+25	LT	FE	AGG	18	54				0.3	
STA 248+00	RT	CE	HMA	38	380	42	19	6		
STA 256+20	RT	PE	HMA	11	110	12	6	2		
STA 259+00	RT	PE	HMA	20	200	22	10	3		
STA 271+80	RT	CE	HMA	107	1070	119	54	18		
STA 273+05	LT	PE	HMA	17	170	19	9	3		
STA 276+00	LT	FE	AGG	14	42				0.3	
STA 286+00	RT	PE	HMA	20	200	22	10	3		
STA 286+40	RT	PE	HMA	25	250	28	13	4		
STA 294+20	LT	FE	AGG	16	48				0.3	
STA 348+35	LT	FE	HMA	23	230	26	12	4		
STA 377+60	LT	FE	AGG	18	54				0.3	
STA 39+50	RT	FE	AGG	24	72				0.5	
STA 17+00	LT	FE	AGG	21	63				0.4	
STA 09+75	RT	FE	AGG	27	81				0.5	
STA 09+40	LT	FE	AGG	16	48				0.3	
TOTAL						437	200	65	5	

PATCHING SCHEDULE										
LOCATION	LENGTH	WIDTH	CLASS B	CLASS B	WELDED WIRE	DOWEL	TIE	SAW CUTS	HMA SURF	INCIDENTAL
			PATCH	PATCH						
			TYPE III	TYPE IV		1 1/2"	3/4"		VARIABLE	SURFACING
			12"	10"	SQ YD	EACH	EACH	FOOT	DEPTH	TON
			SQ YD	SQ YD	SQ YD				SQ YD	
RURAL										
85+00	26	8	23		20	28	28	94		
120+18	26	8	23		20	28	28	94		
122+18	90	26							260	40
123+08	217	26		627	603	513	513	703		
125+25	90	26							260	40
247+00	26	8	23		20	28	28	94		
TOTAL			69	627	663	597	597	985	520	80

2

USER NAME = carminsa	DESIGNED - _____	REVISED - _____
DRAWN - _____	REVISED - _____	
PLOT SCALE = 100.5713' / in.	CHECKED - _____	REVISED - _____
PLOT DATE = 4/18/2022	DATE - _____	REVISED - _____

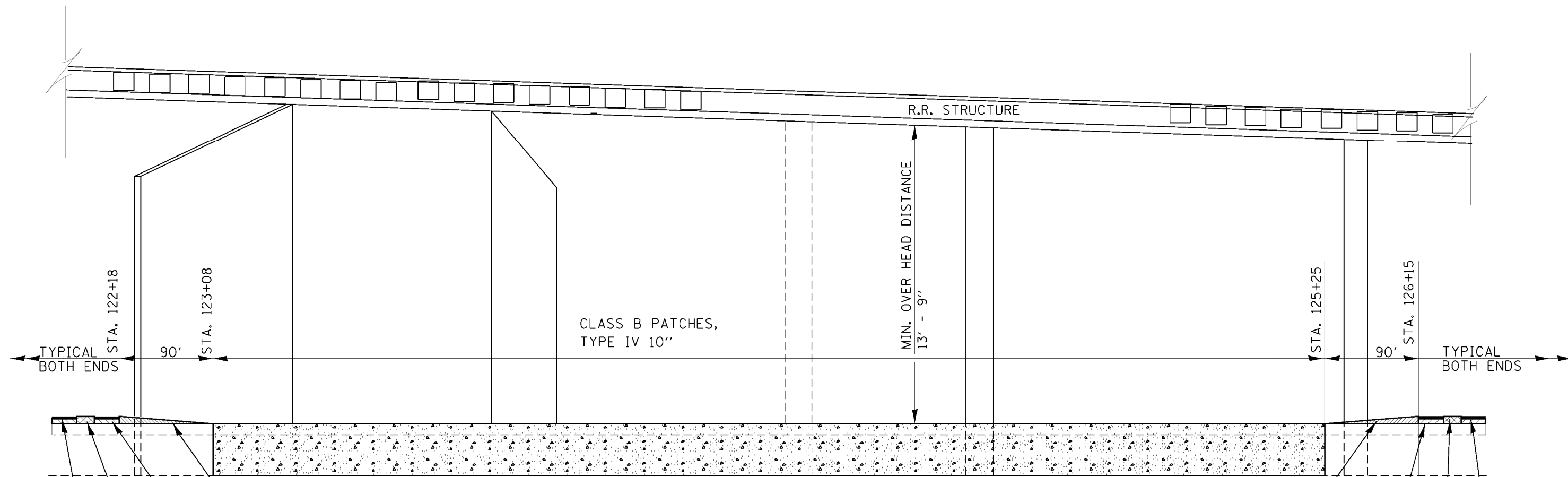
**STATE OF ILLINOIS
DEPARTMENT OF TRANSPORTATION**

SCHEDULE OF QUANTITIES			
SCALE: _____	SHEET _____	OF _____	SHEETS
STA. _____	TO STA. _____		

F.A.S. RTE.	SECTION	COUNTY	TOTAL SHEETS	SHEET NO.
315	(121,122)RS-3	IROQUOIS	33	15
CONTRACT NO. 66D60				
ILLINOIS FED. AID PROJECT				

NOTE:

FINISHED SURFACE OF PATCH SHALL MATCH EXISTING PROFILE



**PROPOSED TAPERS AT
BRIDGE SN 038-0106
STA. 122+18 to STA. 126+15**

HMA SURF REM
VAR DEPTH &
INCIDENTAL
SURF

PROPOSED
HMA BINDER
COURSE 2 1/4"

PROPOSED
SURF REM
3 3/4"

PROPOSED
HMA SURF
COURSE 1 1/2"

HMA SURF REM
VAR DEPTH &
INCIDENTAL
SURF BOTH
SIDES

PROPOSED
HMA BINDER
COURSE 2 1/4"

PROPOSED
SURF REM
3 3/4"

PROPOSED
HMA SURF
COURSE 1 1/2"

MODEL: Default
FILE NAME: pw\liliet-pw_bentley.com\pwwd\DOT\Documents\DOT_Offices\District_3\Projects\B366\66D\CAD\State\126D60-shr_details.dgn

USER NAME = carminsa	DESIGNED -	REVISED -
PLOT SCALE = 100.3366' / in.	DRAWN -	REVISED -
PLOT DATE = 4/18/2022	CHECKED -	REVISED -
	DATE -	REVISED -

STATE OF ILLINOIS
DEPARTMENT OF TRANSPORTATION

RR TAPER DETAILS	
SCALE:	SHEET OF SHEETS STA. TO STA.

F.A.S. RTE. 315	SECTION (121,122)RS-3	COUNTY IROQUOIS	TOTAL SHEETS 33	SHEET NO. 20
CONTRACT NO. 66D60				
ILLINOIS FED. AID PROJECT				