

STATE OF ILLINOIS  
DEPARTMENT OF TRANSPORTATION

F.A. RTE.	SECTION	COUNTY	TOTAL SHEETS	SHEET NO.
VAR.	2022-045/056-SW	ILLINOIS	7	1
CONTRACT NO. 62R46				

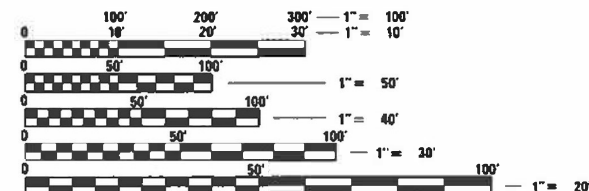
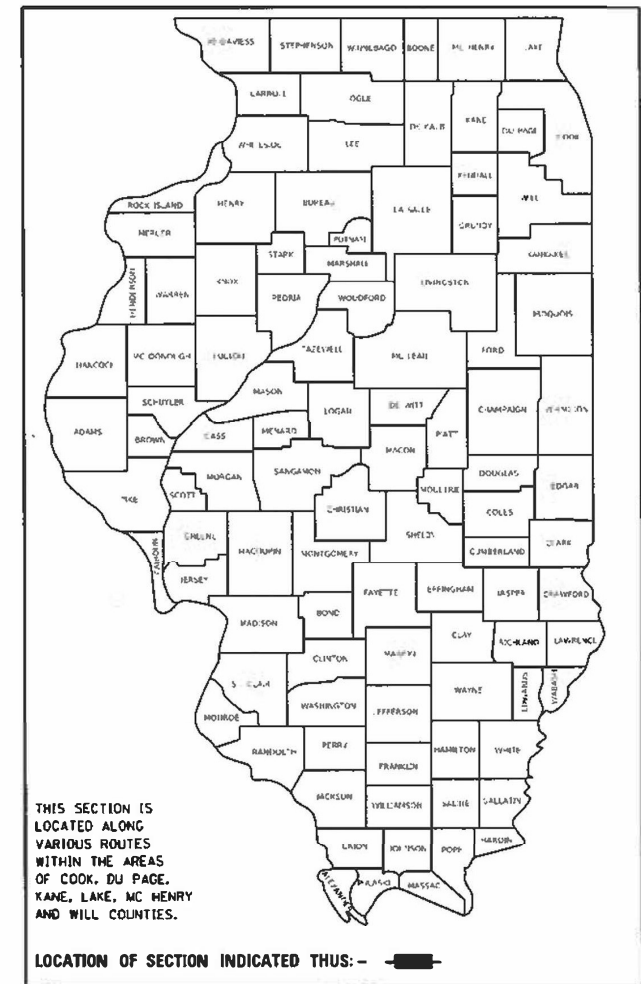
\* KANE & MCHENRY

D-91-145-22

FOR INDEX OF SHEETS, SEE SHEET NO. 2

# PROPOSED HIGHWAY PLANS

ROUTE: VARIOUS DISTRICT ONE  
SECTION: 2022-045/056-SW  
ARTERIAL HIGHWAY CLEANING (SWEEPING)  
COUNTY: KANE AND McHENRY  
C-91-180-22



FULL SIZE PLANS HAVE BEEN PREPARED USING STANDARD ENGINEERING SCALES. REDUCED SIZED PLANS WILL NOT CONFORM TO STANDARD SCALES. IN MAKING MEASUREMENTS ON REDUCED PLANS, THE ABOVE SCALES MAY BE USED.

J.U.L.I.E.  
JOINT UTILITY LOCATION INFORMATION FOR EXCAVATION  
1-800-892-0123  
OR 811

LOCATION MAPS - SEE INDEX OF SHEETS

PROJECT MANAGER: J. ALAIN MIDY (847) 221-3056

CONTRACT NO. 62R46

STATE OF ILLINOIS  
DEPARTMENT OF TRANSPORTATION

SUBMITTED February 14, 2022  
Jose Rios, Regional Engineer  
March 25, 2022  
[Signature], Engineer of Design and Environment  
March 2, 2022  
Stephen McFaul, Director of Highways Project Implementation

PRINTED BY THE AUTHORITY  
OF THE STATE OF ILLINOIS

\*\* 2022-045/056-SW

F.A. RTE.	SECTION	COUNTY	TOTAL SHEETS	SHEET NO.
VAR.	**	▪	7	2
STA.		TO STA.		
FED. ROAD DIST. NO.	ILLINOIS	FED. AID PROJECT		

INDEX OF SHEETS

1. TITLE SHEET
2. INDEX OF SHEETS  
APPLICABLE STATE STANDARDS
3. SUMMARY OF QUANTITIES  
SCHEDULE OF CLEANING STARTING DATES
4. ARTERIAL TYPICAL SECTIONS
5. ARTERIAL CLEANING: McHENRY COUNTY  
WOODSTOCK TEAM SECTION
6. ARTERIAL CLEANING: KANE COUNTY  
ST. CHARLES TEAM SECTION
7. TRAFFIC CONTROL AND PROTECTION FOR SIDE ROADS,  
INTERSECTIONS AND DRIVEWAYS (TC-10)

STATE STANDARDS

- |           |  |
|-----------|--|
| 701001-02 | OFF-ROAD OPERATION 2L, 2W, 15' MIN. AWAY FOR SPEEDS > 45 MPH                 |
| 701006-05 | OFF-ROAD OPERATION 2L, 2W, 15' TO PAVEMENT EDGE FOR SPEEDS > 45 MPH          |
| 701011-04 | OFF-ROAD MOVING OPERATION 2L, 2W, DAY ONLY                                   |
| 701301-04 | LANE CLOSURE, 2L 2W, SHORT TIME OPERATIONS                                   |
| 701311-03 | LANE CLOSURE, 2L 2W, MOVING OPERATIONS - DAY ONLY                            |
| 701411-09 | LANE CLOSURE, MULTILANE AT ENTERANCE/EXIT RAMP FOR SPEEDS > 45 MPH           |
| 701426-09 | LANE CLOSURE, MULTILANE INTERMITTENT OR MOVING OPERATION FOR SPEEDS > 45 MPH |
| 701427-05 | LANE CLOSURE, MULTILANE, INTERMITTENT OR MOVING OPERATIONS ≤ 40 MPH          |
| 701901-08 | TRAFFIC CONTROL DEVICES  |

▪ KANE & McHENRY

PLOT DATE = 2/18/2022  
 FILE NAME = p:\1\1\dot-pub\ben\legcom\p\1001\Documents\1001\01\Files\01\District 1\Projects\Sweeping\Contracts\CaddData\Design\SweepingContract2817.dgn  
 PLOT SCALE = 1/8"=1'-0"  
 USER NAME = mcdjup

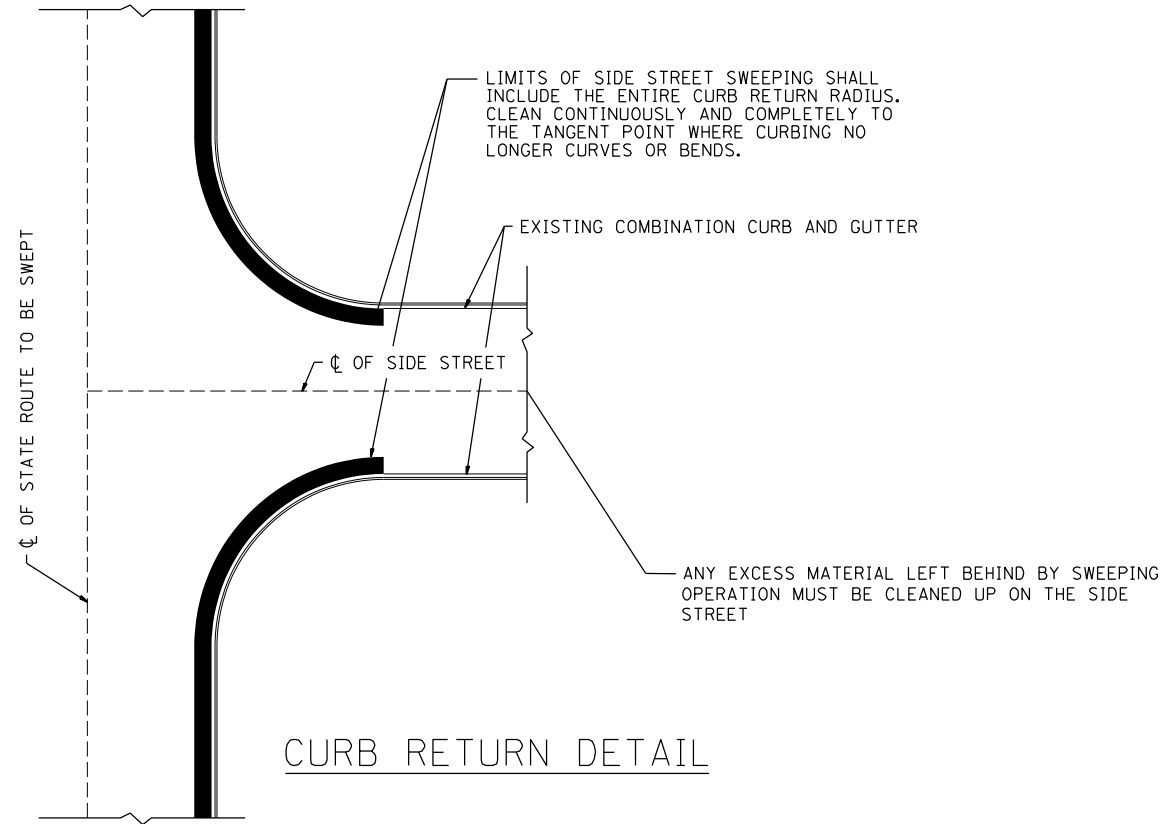
REVISIONS		ILLINOIS DEPARTMENT OF TRANSPORTATION
NAME	DATE	
		INDEX OF SHEETS AND STATE STANDARDS
SCALE:	VERT. DATE	HORIZ. DRAWN BY
		CHECKED BY



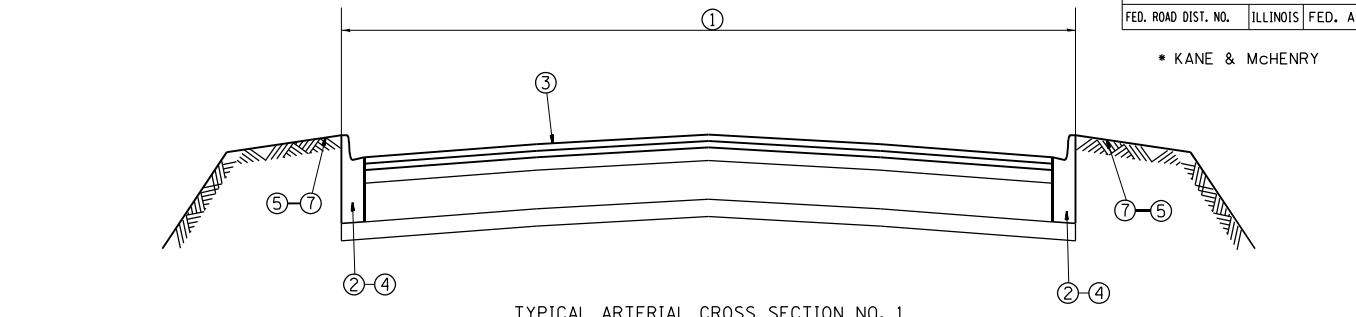
RTE.	SECTION	COUNTY	TOTAL SHEETS	SHEET NO.
VAR.	**	*	7	5
STA.		TO STA.		
FED. ROAD DIST. NO.	ILLINOIS	FED. AID PROJECT		

\*\* 2022-045/056-SW

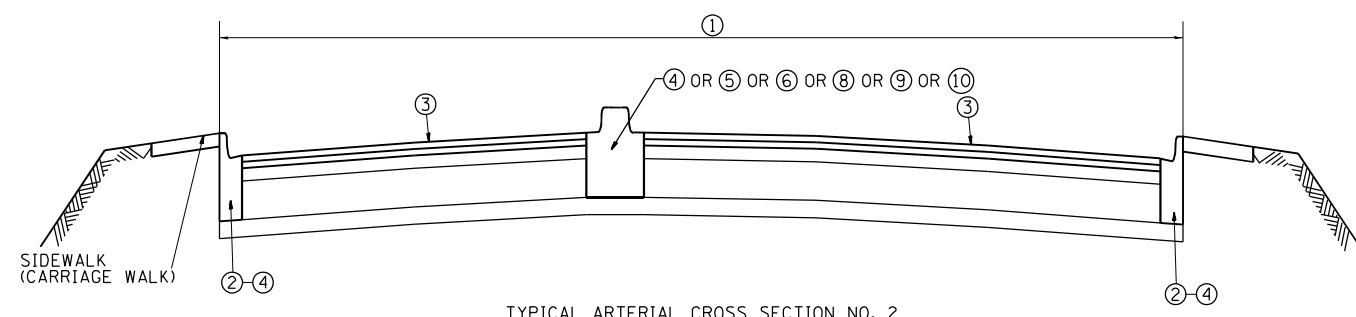
\* KANE & MCHENRY



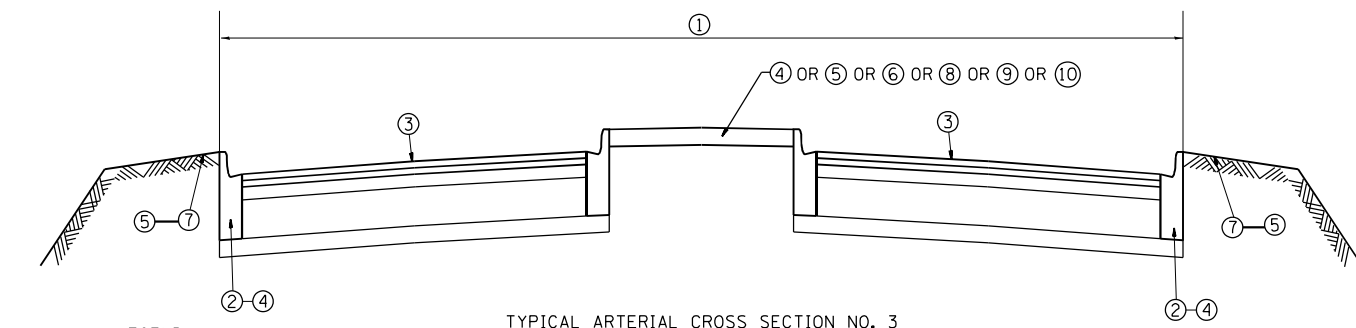
CURB RETURN DETAIL



TYPICAL ARTERIAL CROSS SECTION NO. 1



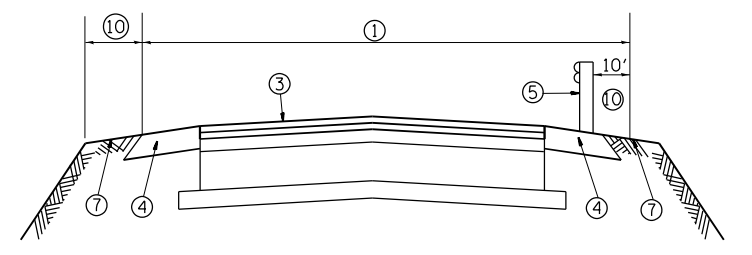
TYPICAL ARTERIAL CROSS SECTION NO. 2



TYPICAL ARTERIAL CROSS SECTION NO. 3

LEGEND

- ① AREA OF ROADWAY CLEANING AND RUBBISH REMOVAL
- ② CURB AND GUTTER
- ③ TRAVELED ROADWAY
- ④ STABILIZED SHOULDER OR MEDIAN
- ⑤ STEEL PLATE GUARDRAIL (SEE NOTE 1)
- ⑥ CONCRETE BARRIER
- ⑦ NON STABILIZED AREA
- ⑧ RAISED CONCRETE MEDIAN
- ⑨ ALL EXISTING TURF MEDIANS
- ⑩ LITTER PICKING



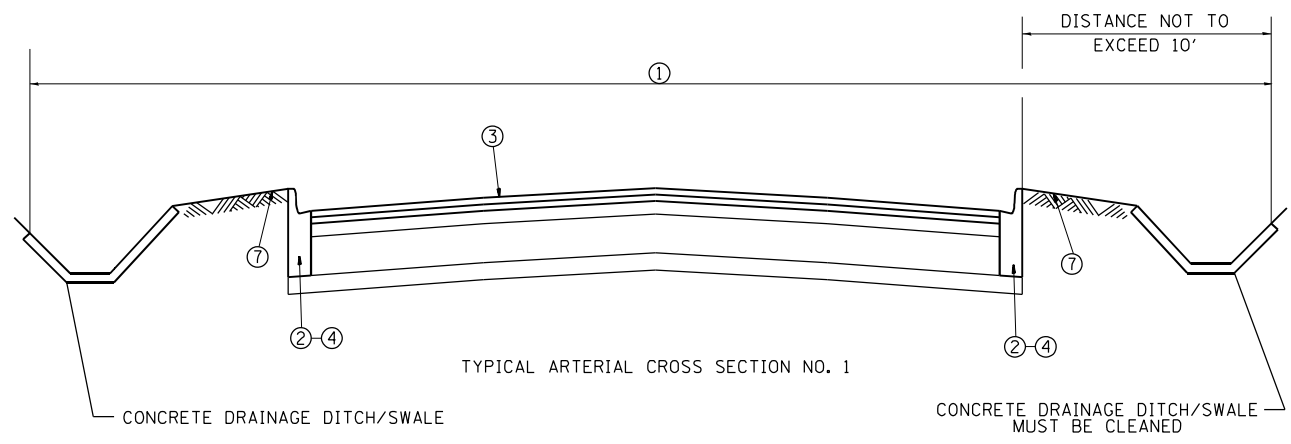
TYPICAL ARTERIAL CROSS SECTION NO. 4

NOTES:

- 1) ALL LOCATIONS OF MEDIANS AND GUARDRAILS SHALL BE CLEANED OF ALL DEBRIS AND RUBBISH INCLUDING BUT NOT LIMITED TO DIRT, WEEDS, SAND, ROCKS, GRAVEL, CONCRETE, WOOD, LIMBS, LEAVES, GARBAGE & ANIMAL CARCASSES BY HAND LABORING UNDERNEATH AND 10 FEET BEHIND GUARDRAIL INCLUDING STABILIZED AND NON STABILIZED AREAS. THIS WORK SHALL BE CONSIDERED AS INCLUDED IN THE CONTRACT UNIT PRICE FOR ALL FULL CLEANING CYCLES.
- 2) SLOPE WALLS UNDER BRIDGES ARE NOT INCLUDED IN AREAS TO BE CLEANED.
- 3) ALL ARTERIAL INTERCHANGES, INTERSECTIONS, RAMPS AND CROSSOVERS SHALL BE CLEANED AND LITTER PICKED.
- 4) ALL PAVED DITCHES AND SPILLWAYS WITHIN 10' OF STABILIZED BASE SHALL BE CLEANED

REVISIONS	
NAME	DATE

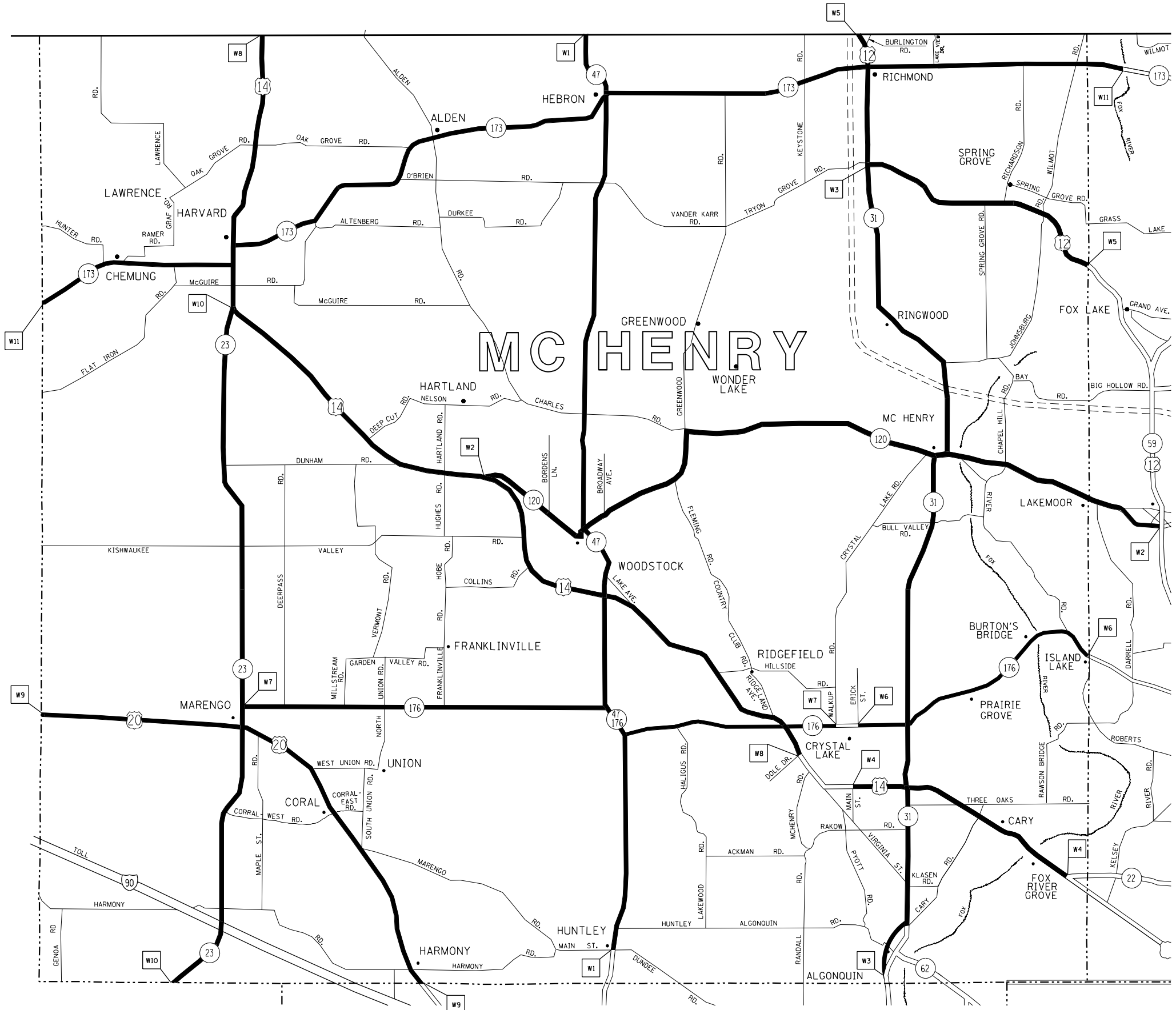
ILLINOIS DEPARTMENT OF TRANSPORTATION  
 EXPRESSWAY AND ARTERIAL HIGHWAY  
 CLEANING (SWEEPING)  
**TYPICAL**  
**ARTERIAL CROSS SECTIONS**  
**AND CURB RETURN DETAIL**  
 SCALE: VERT. \_\_\_\_\_  
 HORIZ. \_\_\_\_\_  
 DATE \_\_\_\_\_ DRAWN BY \_\_\_\_\_  
 CHECKED BY \_\_\_\_\_



TYPICAL ARTERIAL CROSS SECTION NO. 1

PLOT DATE = 2/18/2022  
 FILE NAME = p:\1\105-8824-1\105-8824-1.dwg  
 PLOT SCALE = 1/8" = 1'-0"  
 USER NAME = mduffy

F.A. RTE.	SECTION	COUNTY	TOTAL SHEETS	SHEET NO.
VAR.	**	*	7	5
STA.		TO STA.		
FED. ROAD DIST. NO.	ILLINOIS	FED. AID PROJECT		
* KANE & McHENRY				



TEAM SECTION	KEY LOCATIONS
WOODSTOCK	W1 - W11

- DISTRICT NO. 1
- STATE HIGHWAYS & EXPRESSWAYS WITHIN STATE JURISDICTION (EXCEPT TOLLWAYS)
  - STATE HIGHWAYS & EXPRESSWAYS TO BE CLEANED
  - - - FUTURE HIGHWAYS
  - VARIOUS AGENCIES HIGHWAYS

REVISIONS	
NAME	DATE

ILLINOIS DEPARTMENT OF TRANSPORTATION

ARTERIAL CLEANING  
LOCATION MAP  
MC HENRY COUNTY  
WOODSTOCK TEAM SECTION

SCALE: VERT. / HORIZ.  
DATE

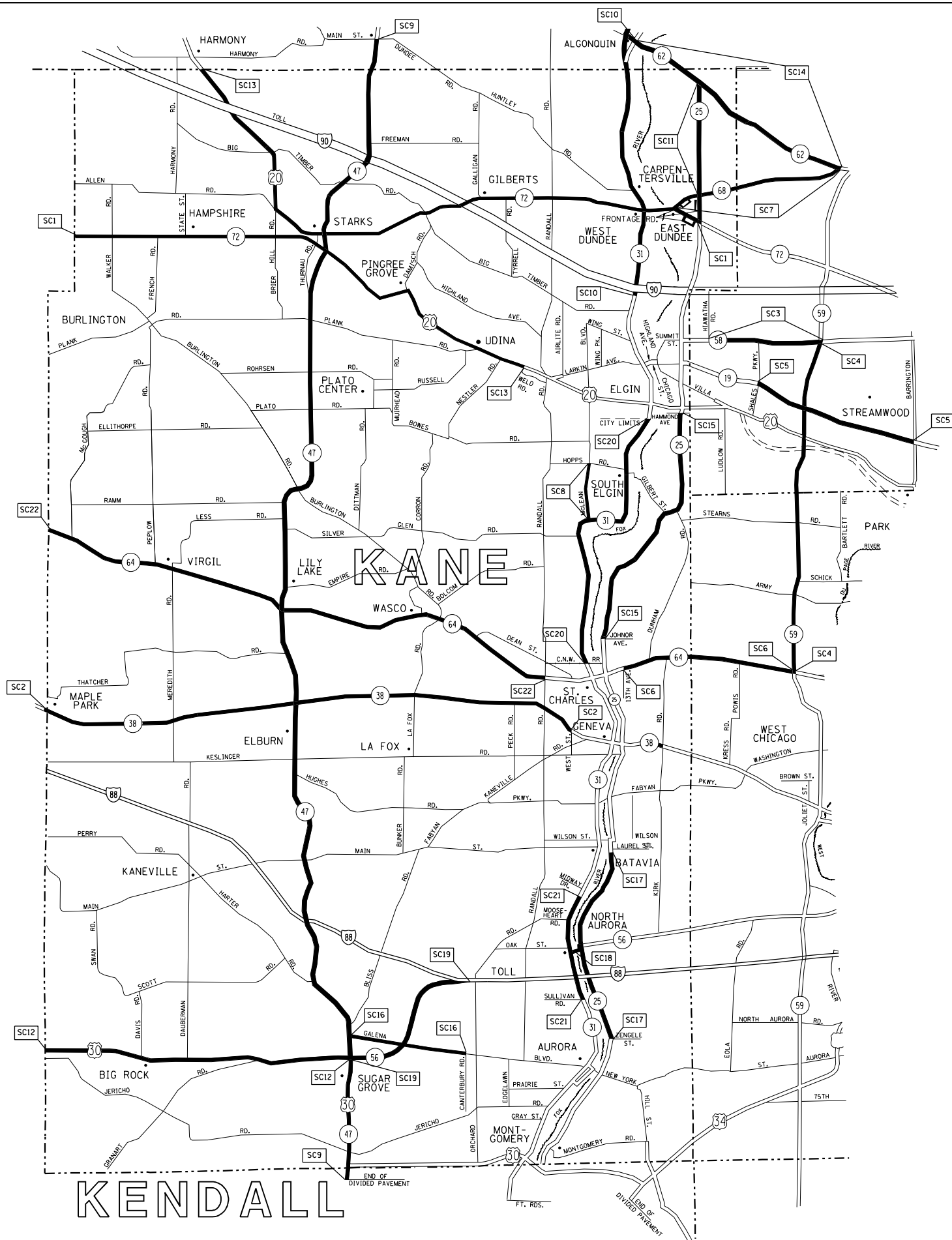
DRAWN BY / CHECKED BY

PLOT DATE = 2/18/2022  
 FILE NAME = p:\n\1\105\pubent\legcomp\11001\Documents\11001\District 1\Projects\Sweeping\_Contracts\CadData\Design\SweepingContractes2017.dgn  
 PLOT SCALE = 1/85,8824 / in.  
 USER NAME = midcup

\*\* 2022-045/056-SW

F.A. RTE.	SECTION	COUNTY	TOTAL SHEETS	SHEET NO.
VAR.	**	*	7	6
STA.		TO STA.		
FED. ROAD DIST. NO.	ILLINOIS	FED. AID PROJECT		

\* KANE & MCHENRY



TEAM SECTION	KEY LOCATIONS
ST. CHARLES	SC1 - SC22

- DISTRICT NO. 1
- STATE HIGHWAYS & EXPRESSWAYS WITHIN STATE JURISDICTION (EXCEPT TOLLWAYS)
  - STATE HIGHWAYS & EXPRESSWAYS TO BE CLEANED
  - FUTURE HIGHWAYS
  - VARIOUS AGENCIES HIGHWAYS

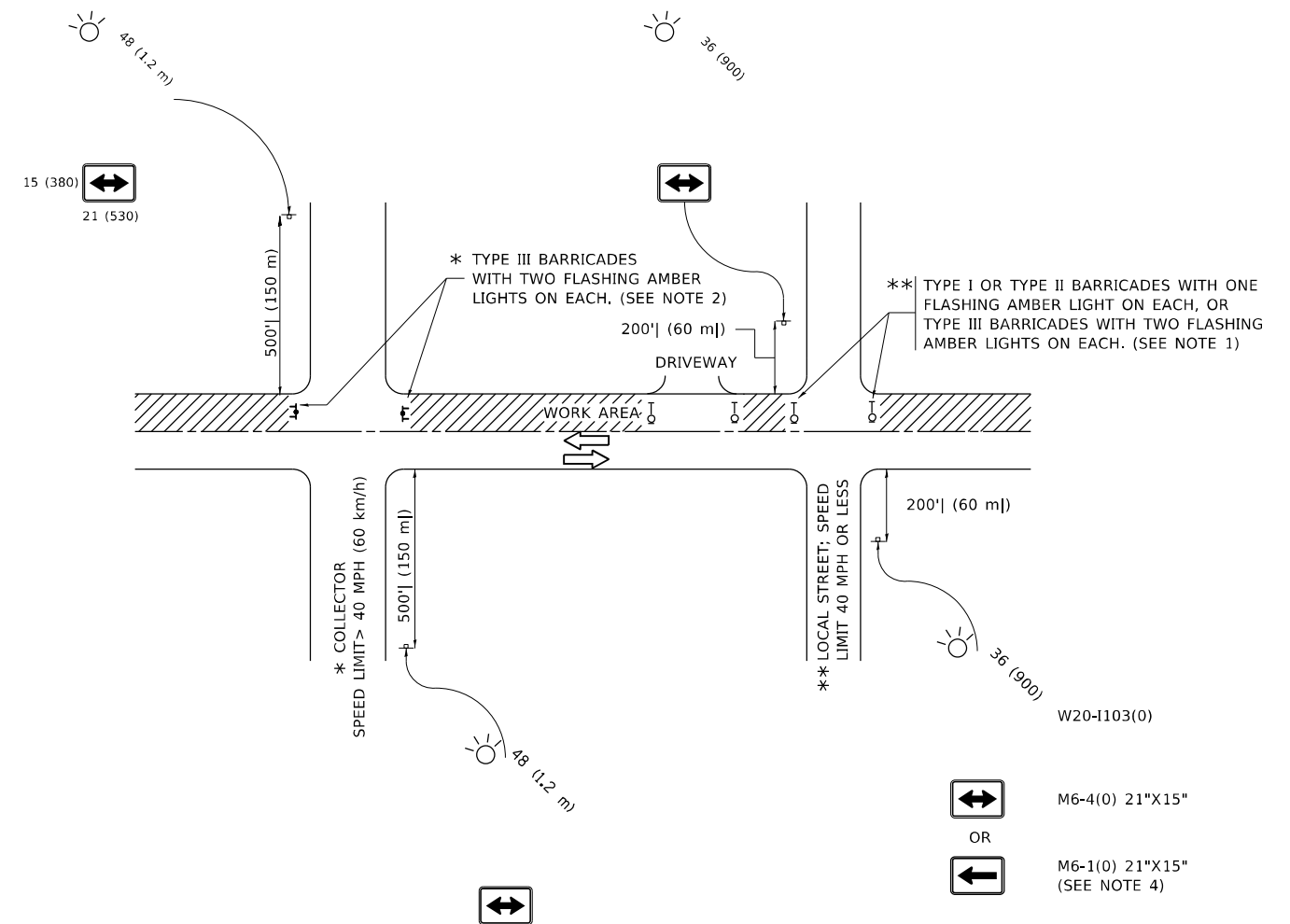
REVISIONS	
NAME	DATE

ILLINOIS DEPARTMENT OF TRANSPORTATION

ARTERIAL CLEANING  
LOCATION MAP  
KANE COUNTY  
ST. CHARLES TEAM SECTION

SCALE: VERT. / HORIZ.  
DATE: / / DRAWN BY: / CHECKED BY: /

PLOT DATE = 2/18/2022  
 FILE NAME = p:\n\1\do-projects\pub\ben\legcomp\WIDOT\Documents\WIDOT\Offices\District 1\Projects\Sweeping\_Contracts\CadData\Design\SweepingContract\_2017.dgn  
 PLOT SCALE = 1/8" = 1' / in.  
 USER NAME = midup



**NOTES:**

- SIDE ROAD WITH A SPEED LIMIT OF 40 MPH (60 km/h) OR LESS AS SHOWN ON THE DRAWING AND AS DIRECTED BY THE ENGINEER:
  - ONE "ROAD CONSTRUCTION AHEAD" SIGN 36 x 36 (900x900) WITH A FLASHER MOUNTED ON IT APPROXIMATELY 200' (60 m) IN ADVANCE OF THE MAIN ROUTE.
  - THE CLOSED PORTION OF THE MAIN ROUTE SHALL BE PROTECTED BY BLOCKING WITH TYPE I, TYPE II OR TYPE III BARRICADES, 1/3 OF THE CROSS SECTION OF THE CLOSED PORTION.
- SIDE ROAD WITH A SPEED LIMIT GREATER THAN 40 MPH (60 km/h) AS SHOWN ON THE DRAWING AND AS DIRECTED BY THE ENGINEER:
  - ONE "ROAD CONSTRUCTION AHEAD" SIGN 48 x 48 (1.2 m x 1.2 m) WITH A FLASHER MOUNTED ON IT APPROXIMATELY 500' (150 m) IN ADVANCE OF THE MAIN ROUTE.
  - THE CLOSED PORTION OF THE MAIN ROUTE SHALL BE PROTECTED BY BLOCKING WITH TYPE III BARRICADES, 1/2 OF THE CROSS SECTION OF THE CLOSED PORTION.
- CONES MAY BE SUBSTITUTED FOR BARRICADES OR DRUMS AT HALF THE SPACING DURING DAY OPERATIONS. CONES SHALL BE A MINIMUM OF 28 (710) IN HEIGHT.
- SIGNING AND THE WORK ZONE, A SINGLE HEADED ARROW (M6-1) SHALL BE USED IN LIEU OF THE DOUBLE HEADED ARROW (M6-4).
- WHEN WORK IS BEING PERFORMED ON A SIDE ROAD OR DRIVEWAY, FOLLOW THE APPLICABLE STANDARD(S). THE DIRECTIONAL ARROW (M6-1 OR M6-4) SHALL BE COVERED OR REMOVED WHEN NO LONGER CONSISTENT WITH THE TRAFFIC CONTROL SET-UP.
- ADVANCE WARNING SIGNS ARE TO BE OMITTED ON DRIVEWAYS UNLESS OTHERWISE SPECIFIED IN THE PLANS OR BY THE ENGINEER.
- THE TRAFFIC CONTROL AND PROTECTION FOR SIDE ROADS, INTERSECTIONS, AND DRIVEWAYS SHALL BE INCLUDED IN THE COST OF SPECIFIED TRAFFIC CONTROL STANDARDS OR ITEMS.

All dimensions are in inches (millimeters) unless otherwise shown.

MODEL: Default  
FILE NAME: p:\projects\sw\bea\paw.com\p\w\dot\Documents\DOT Office\Dir\rdet\_1\Projects\Sweeping\_Contracts\CAD\Drawings\Drawings\SweepingContract2017.dwg

USER NAME = mldyja	DESIGNED - L.H.A.	REVISED - A. HOUSEH 10-15-96
	DRAWN -	REVISED - T. RAMMACHER 01-06-00
PLOT SCALE = 100,0000' / in.	CHECKED -	REVISED - A. SCHUETZE 07-01-13
PLOT DATE = 2/10/2022	DATE - 06-89	REVISED - A. SCHUETZE 09-15-16

**STATE OF ILLINOIS  
DEPARTMENT OF TRANSPORTATION**

**TRAFFIC CONTROL AND PROTECTION FOR  
SIDE ROADS, INTERSECTIONS, AND DRIVEWAYS**

SCALE: NONE SHEET 1 OF 1 SHEETS STA. TO STA.

F.A. RTE.	SECTION	COUNTY	TOTAL SHEETS	SHEET NO.
	2022-045/056-SW	*	7	7
<b>TC-10</b>			CONTRACT NO. 62R46	
ILLINOIS FED. AID PROJECT				

\* KANE & MCHENRY