

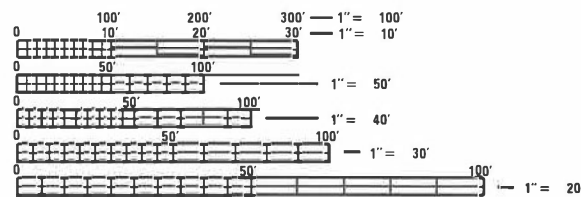
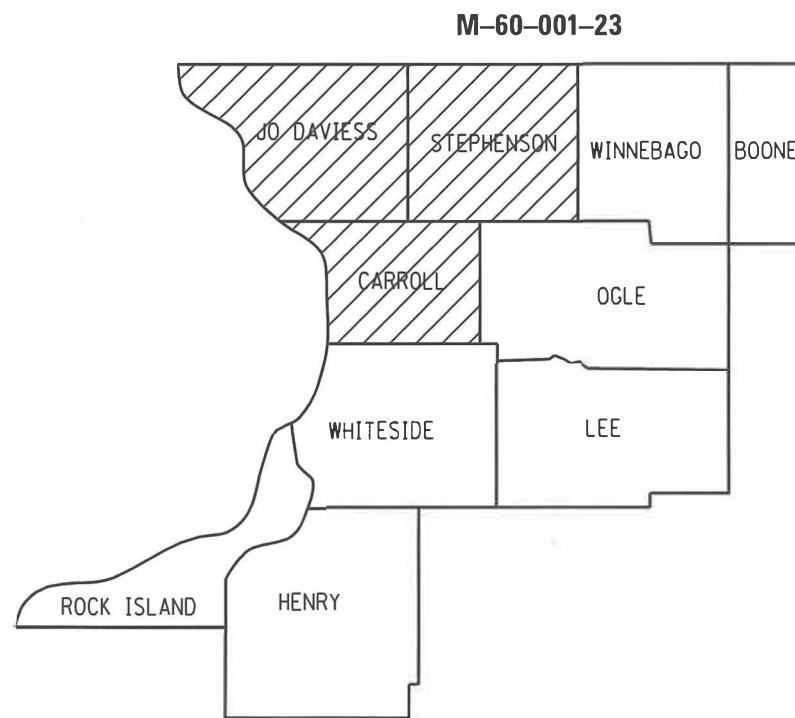
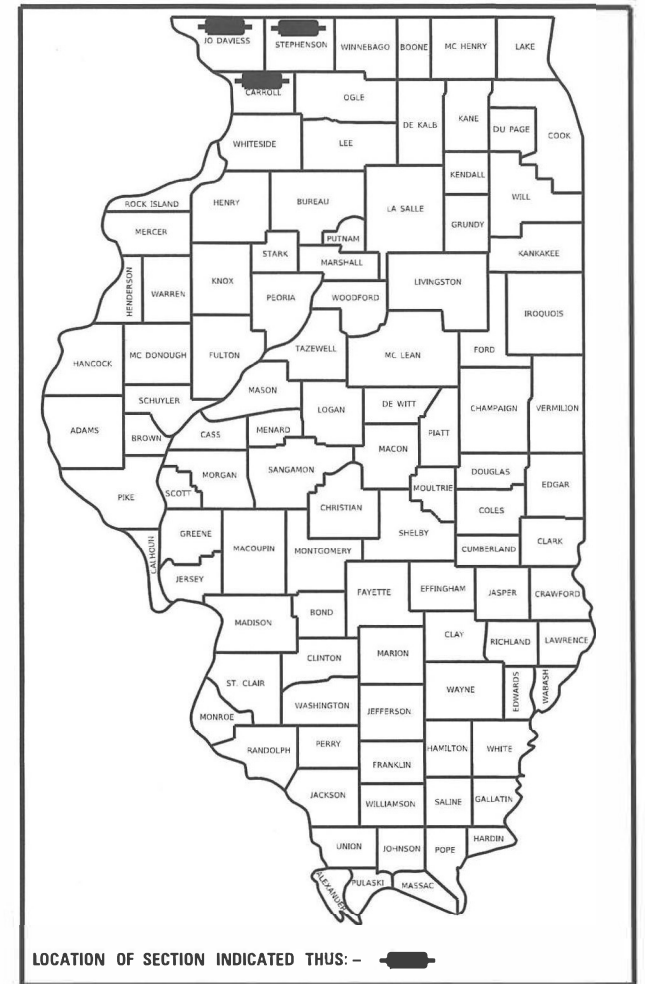
STATE OF ILLINOIS  
DEPARTMENT OF TRANSPORTATION

F.A. RTE.	SECTION	COUNTY	TOTAL SHEETS	SHEET NO.
VAR.	D2 GRDRL DELIN MAINT INT 23-01	VARIOUS	5	1
		ILLINOIS	CONTRACT NO. 46591	

FOR INDEX OF SHEETS, SEE SHEET NO. 2  
FOR STATE STANDARDS, SEE SHEET NO. 2

PROPOSED  
HIGHWAY PLANS

VARIOUS ROUTES  
SECTION D2 GRDRL DELIN MAINT INT 23-01  
GUARDRAIL DELINEATOR MAINTENANCE  
VARIOUS COUNTIES



FULL SIZE PLANS HAVE BEEN PREPARED USING STANDARD ENGINEERING SCALES. REDUCED SIZED PLANS WILL NOT CONFORM TO STANDARD SCALES. IN MAKING MEASUREMENTS ON REDUCED PLANS, THE ABOVE SCALES MAY BE USED.

J.U.I.E.  
JOINT UTILITY LOCATION INFORMATION FOR EXCAVATION  
1-800-892-0123  
OR 811

PROJECT ENGINEER: TROY EBENEZER (815) 284-5491  
PROJECT MANAGER: KRISTIE NYDEREK (815) 284-5469

CONTRACT NO. 46591

STATE OF ILLINOIS  
DEPARTMENT OF TRANSPORTATION

SUBMITTED January 14<sup>th</sup>, 20 22

[Signature]  
REGIONAL ENGINEER

March 25 20 22

[Signature]  
ENGINEER OF DESIGN AND ENVIRONMENT

March 20 22

[Signature]  
DIRECTOR OF HIGHWAYS PROJECT IMPLEMENTATION

PRINTED BY THE AUTHORITY  
OF THE STATE OF ILLINOIS

# INDEX OF SHEETS

- 1 COVER SHEET
- 2 INDEX OF SHEETS, STATE STANDARDS & GENERAL NOTES
- 3 SUMMARY OF QUANTITIES
- 4 SCHEDULE OF QUANTITIES
- 5 FLEX-STRAIGHT GUARDRAIL REFLECTOR STANDARD

# STATE STANDARDS

- 701006-05 OFF-ROAD OPERATION, 2L2W, 15FT TO E.O.P.
- 701011-04 OFF-ROAD MOVING OPERATION, 2L2W, DAY ONLY
- 701101-05 OFF-ROAD OPERATION, MULTI-LANE, LESS THAN 15FT TO E.O.P.
- 701106-02 OFF-ROAD OPERATION, MULTI-LANE, MORE THAN 15FT AWAY
- 701301-04 LANE CLOSURE, 2L2W, SHORT TIME OPERATION
- 701406-13 LANE CLOSURE, FREEWAY-EXPRESSWAY, DAY OPERATION ONLY
- 701426-09 LANE CLOSURE, MULTI-LANE, INTERMITTANT OR MOVING OPERATION,  $\geq 45$  MPH
- 701427-05 LANE CLOSURE, MULTI-LANE, INTERMITTANT OR MOVING OPERATION,  $\leq 40$  MPH
- 701901-08 TRAFFIC CONTROL DEVICES
- 720011-01 METAL POSTS FOR SIGNS, MARKERS & DELINEATORS
- 725001-01 OBJECT & TERMINAL MARKERS
- 729001-01 APPLICATION OF TYPES A & B POSTS
- 782006-01 GUARDRAIL & BARRIER WALL REFLECTOR MOUNTING DETAILS
- 701400-11 APPROACH TO LANE CLOSURE, FREEWAY/EXPRESSWAY

# GENERAL NOTES

ALL GUARDRAIL DELINEATORS TYPE C SPECIALS SHALL BE OF THE FLEX-STRAIGHT, DOUBLE SIDED STYLE

AT LOCATIONS THAT ARE TO RECEIVE A NEW TERMINAL MARKER - POST MOUNTED, ALL EXISTING TERMINAL MARKER - POST MOUNTED POSTS AND PANELS SHALL BE REMOVED AND DISPOSED OF. ALL POST AND PANELS THAT ARE REMOVED UNDER THIS CONTRACT SHALL BECOME THE PROPERTY OF THE CONTRACTOR.

THE CONTRACTOR IS SOLELY RESPONSIBLE FOR CALLING JULIE LOCATES IN ALL AREAS THAT ARE TO RECEIVE NEW TERMINAL MARKER POSTS PRIOR TO THE INSTALLATION OF THE NEW POSTS.

AT LOCATIONS THAT ARE TO RECEIVE NEW GUARDRAIL MARKERS - TYPE C SPECIAL, THE CONTRACTOR SHALL REMOVE AND DISPOSE OF ANY EXISTING REFLECTOR MARKERS - TYPE A OR TYPE B OR TYPE C ON GUARDRAIL, PARAPET OR BRIDGE RAIL AS WELL AS ANY ADHESIVE USED TO SECURE THE REFLECTOR MARKERS, TYPE B OR TYPE C, TO THE SATISFACTION OF THE ENGINEER. ALL REMOVED REFLECTOR MARKERS, TYPE A OR TYPE B OR TYPE C, SHALL BECOME THE PROPERTY OF THE CONTRACTOR. ALL COST AND LABOR ASSOCIATED WITH THE REMOVAL OF THE REFLECTOR MARKERS, TYPE B OR TYPE C, SHALL BE INCLUDED WITH GUARDRAIL MARKERS, TYPE C SPECIAL.

AT LOCATIONS THAT ARE TO RECEIVE A NEW TERMINAL MARKER - DIRECT APPLIED, ALL EXISTING TERMINAL MARKER - DIRECT APPLIED, SHALL BE REMOVED AND DISPOSED OF. ALL TERMINAL MARKERS THAT ARE REMOVED UNDER THIS CONTRACT SHALL BECOME THE PROPERTY OF THE CONTRACTOR.

THE QUANTITIES SPECIFIED IN THIS CONTRACT ARE ONLY AN ESTIMATE OF THE QUANTITIES REQUIRED FOR THE DURATION OF THE CONTRACT. THE ESTIMATE IS GIVEN TO ALLOW CONTRACTORS TO ESTABLISH A UNIT PRICE SO THAT THE DEPARTMENT MAY DETERMINE A LOW BIDDER. IT SHALL BE UNDERSTOOD THAT THE UNIT PRICE SHALL PREVAIL THROUGHOUT THE PERIOD OF THIS CONTRACT REGARDLESS OF THE QUANTITY.

MODEL: D:\nuit FILE NAME: D:\Guardrail Reflectors\023146591\_guardrail\_delineator\_posts.dwg

USER NAME = ebenezertg	DESIGNED - _____	REVISED - _____
	DRAWN - _____	REVISED - _____
PLOT SCALE = 102.9963' / in.	CHECKED - _____	REVISED - _____
PLOT DATE = Jan-13-2022 10:11:23 AM	DATE - _____	REVISED - _____

STATE OF ILLINOIS  
DEPARTMENT OF TRANSPORTATION

INDEX OF SHEETS, STATE  
STANDARDS & GENERAL NOTES

SCALE: \_\_\_\_\_ SHEET \_\_\_\_\_ OF \_\_\_\_\_ SHEETS STA. \_\_\_\_\_ TO STA. \_\_\_\_\_

F.A. RTE.	SECTION	COUNTY	TOTAL SHEETS	SHEET NO.
VAR.	D2 GRDRL DELIN MAIN INT 23.d1	VARIOUS	2	2
			CONTRACT NO. 46591	
ILLINOIS FED. AID PROJECT				

# SUMMARY OF QUANTITIES

PAYCODE	ITEM DESCRIPTION	UNITS	TOTAL QUANTITY	CONSTR. CODE
				GUARDRAIL DELINEATORS 100% STATE
72501000	TERMINAL MARKER - DA	EACH	1,064	1,064
72501100	TERMINAL MARKER - PM	EACH	112	112
X7820007	GUARDRAIL REFLECTORS ,TYPE C ( SPECIAL)	EACH	3,927	3,927

MODEL: Definit FILE NAME: D:\Guardrail Reflectors\023\46591\_guardrail delineator\_pans.dgn

USER NAME = ebenezertg	DESIGNED - _____	REVISED - _____
	DRAWN - _____	REVISED - _____
PLOT SCALE = 102.9963' / in.	CHECKED - _____	REVISED - _____
PLOT DATE = Jan-13-2022 10:11:32 AM	DATE - _____	REVISED - _____

**STATE OF ILLINOIS  
DEPARTMENT OF TRANSPORTATION**

**SUMMARY OF QUANTITIES**

SCALE: \_\_\_\_\_ SHEET 021 OF \_\_\_\_\_ SHEETS STA. \_\_\_\_\_ TO STA. \_\_\_\_\_

F.A. RTE.	SECTION	COUNTY	TOTAL SHEETS	SHEET NO.
VAR.	D2 GRDRL DELIN MAINT INT 23-01	VARIOUS	3	3
			CONTRACT NO. 46591	
ILLINOIS FED. AID PROJECT				

# SCHEDULE OF QUANTITIES

## CONTRACT FOR CARROLL, JODAVIESS AND STEPHENSON COUNTIES

		TERMINAL MARKER									
		GUARDRAIL REFL X7820007		DIRECT APPLIED 72501000					POST MOUNT 72501100		
FIELD TOTALS		TYPE C, SPECIAL		12"x18"		12"x 24"		18"x18"		12"x16"	
		CRYSTAL	AMBER	LT	RT	LT	RT	LT	RT	LT	RT
CARROLL		1295	0	0	0	65	66	157	156	15	15
JODAVIESS		1127	160	0	0	45	43	92	88	20	21
STEPHENSON		1187	158	0	0	36	31	141	144	20	21
(+15%)		541	48	0	0	22	21	59	58	8	9
<b>CONTRACT TOTAL</b>		<b>3609</b>	<b>318</b>	<b>0</b>	<b>0</b>	<b>146</b>	<b>140</b>	<b>390</b>	<b>388</b>	<b>55</b>	<b>57</b>

MODEL: Default  
FILE NAME: D:\Guardrail Reflectors\2023\46591 - 2023 Guardrail Reflector Contract\Contract Framet\591 guardrail delimeter plans.dwg

USER NAME = ebenezertg	DESIGNED - _____	REVISED - _____
	DRAWN - _____	REVISED - _____
PLOT SCALE = 102.9963' / in.	CHECKED - _____	REVISED - _____
PLOT DATE = Jan-25-2022 10:11:31 AM	DATE - _____	REVISED - _____

**STATE OF ILLINOIS  
DEPARTMENT OF TRANSPORTATION**

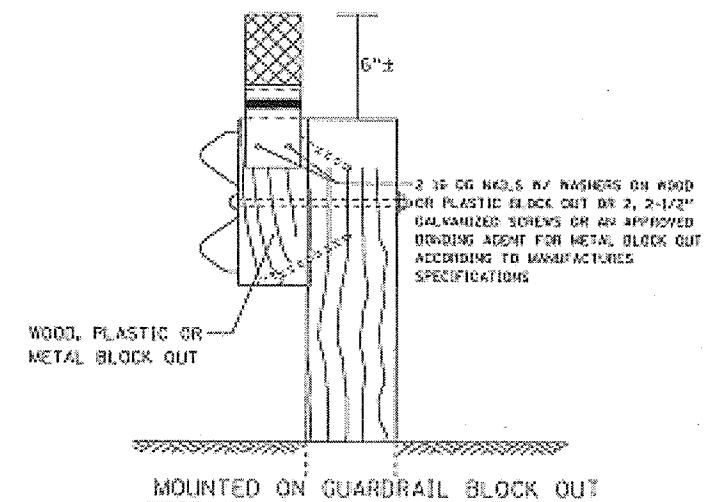
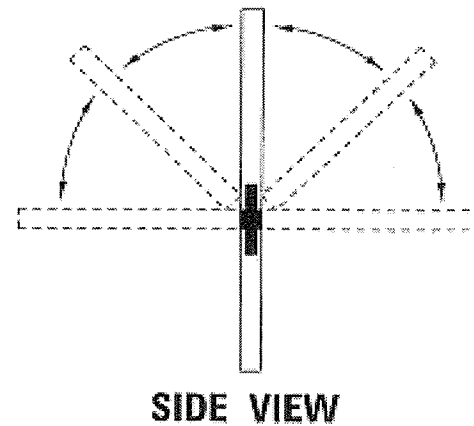
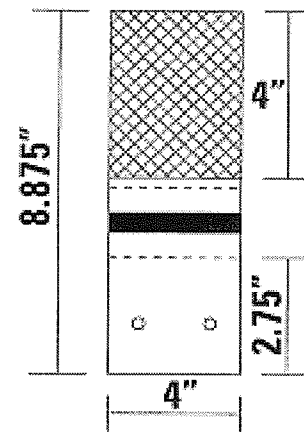
SCHEDULE OF QUANTITIES

SCALE: \_\_\_\_\_ SHEET \_\_\_\_\_ OF \_\_\_\_\_ SHEETS STA. \_\_\_\_\_ TO STA. \_\_\_\_\_

F.A. / R.T.E. / VAR.	SECTION D2 GRDRL DELIN MAINT INT 23-01	COUNTY VARIOUS	TOTAL SHEETS 4	SHEET NO. 4
			CONTRACT NO. 46591	
ILLINOIS FED. AID PROJECT				

# FLEX-STRAIGHT GUARDRAIL REFLECTOR

## FLEX-STRAIGHT GUARDRAIL REFLECTOR



REFLECTORS MAY BE MOUNTED DIRECTLY TO METAL, WOOD OR PLASTIC BLOCK OUTS.

IF MOUNTED ON WOODEN OR PLASTIC BLOCK OUT THE REFLECTORS SHALL BE MOUNTED USING 2 16 OG NAILS AND 2 3/8 WASHERS OR 2 2-1/2" GALVANIZED SCREWS.

IF MOUNTED ON METAL BLOCK OUT THE REFLECTORS SHALL BE MOUNTED USING AN APPROVED BONDING AGENT PER THE MANUFACTURER'S SPECIFICATIONS.

NOTE:  
REFLECTORS COME STANDARD WITH REFLECTIVE SHEETING ON ONE SIDE AND 4" RISE.  
REFLECTORS INSTALLED ON TWO LANE ROADS SHALL BE DOUBLE SIDED.  
REFLECTORS INSTALLED ON DIVIDED HIGHWAYS SHALL BE SINGLE SIDED.  
SHEETING COLOR SHALL BE CALLED OUT IN THE PLANS.  
SPACING FOR GUARDRAIL SHALL BE ACCORDING TO STANDARD PRACTICE UNLESS NOTED OTHERWISE IN THE PLANS.

PLOT DATE = 1-13-2022 10:11:54 AM

REVISED -	<b>REGION 2 / DISTRICT 2 STANDARD</b>				F.A. RTE.	SECTION	COUNTY	TOTAL SHEETS	SHEET NO.				
REVISED -					CONTRACT NO.								
REVISED -					SCALE: 1" = 10'-0"	SHEET NO.	OF	SHEETS	STA.	TO STA.	FED. ROAD DIST. NO.	ILLINOIS	FED. AID PROJECT
REVISED -													

MODEL: Default  
FILE NAME: D:\Guardrail\_Reflectors\2023\46591\_guardrail\_reflector.plt

USER NAME = ebenezertg	DESIGNED - _____	REVISED - _____
PLOT SCALE = 102.9963' / in.	DRAWN - _____	REVISED - _____
PLOT DATE = Jan-13-2022 10:11:54 AM	CHECKED - _____	REVISED - _____
	DATE - _____	REVISED - _____

**STATE OF ILLINOIS  
DEPARTMENT OF TRANSPORTATION**

**FLEX-STRAIGHT GUARDRAIL REFLECTOR**

SCALE: \_\_\_\_\_ SHEET \_\_\_\_\_ OF \_\_\_\_\_ SHEETS STA. \_\_\_\_\_ TO STA. \_\_\_\_\_

F.A. RTE.	SECTION	COUNTY	TOTAL SHEETS	SHEET NO.
VAR.	D2 GRDRL DELIN MAINT INT 23.01	VARIOUS	5	5
CONTRACT NO. 46591				
ILLINOIS FED. AID PROJECT				