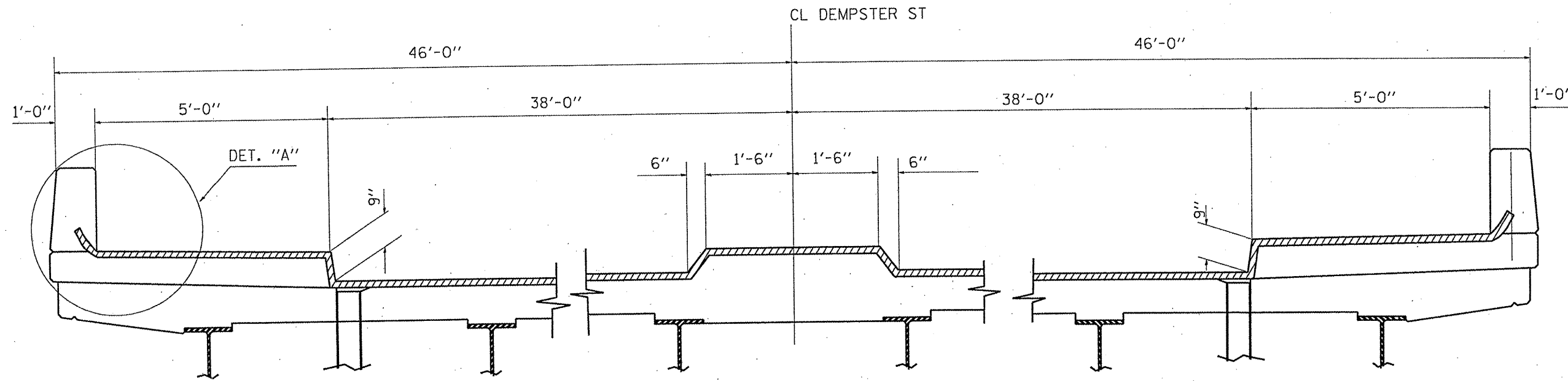
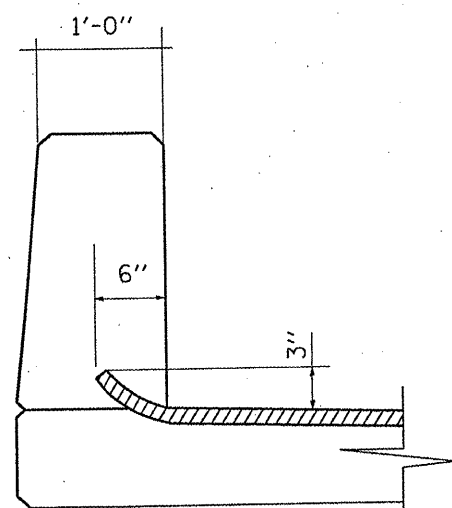


ROUTE	SECTION	COUNTY	TOTAL SHEETS	SHEET NUMBER
VARIOUS	2009-074 I	COOK	12	9

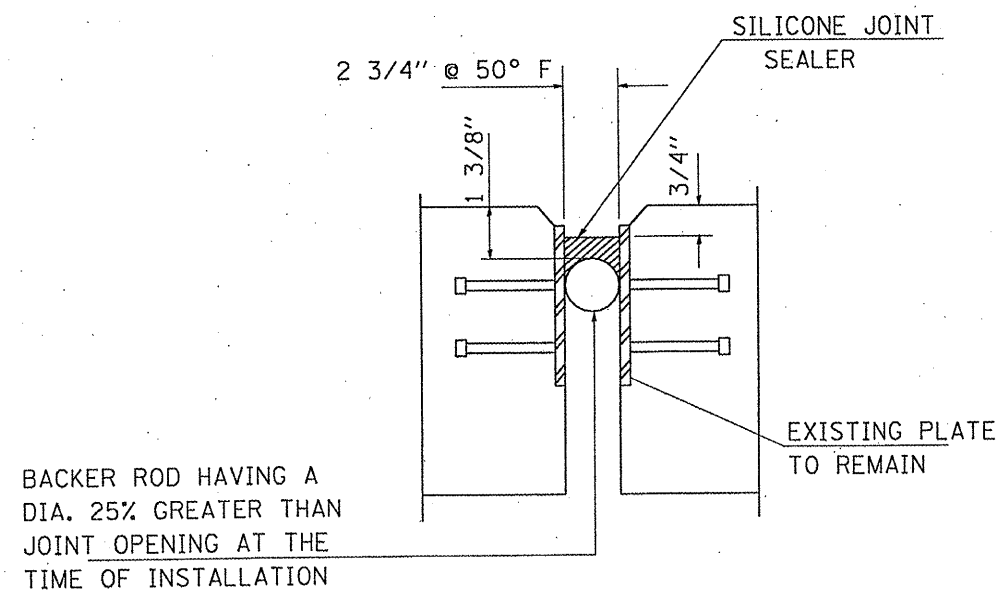
CONTRACT NO 60H85



END OF SEAL TREATMENT
EXISTING CROSS SECTION



DETAIL "A"



PROPOSED JOINT AT ABUTMENTS

THE REMOVAL OF THE EXISTING JOINT IS INCLUDED IN THE COST OF SILICONE JOINT SEALER.

SHEET 3 OF 3

ILLINOIS DEPARTMENT OF
TRANSPORTATION

LOCATION 2: SN 016 - 0943
IL 58 (DEMPSTER ST) OVER I- 94
BRIDGE PLAN