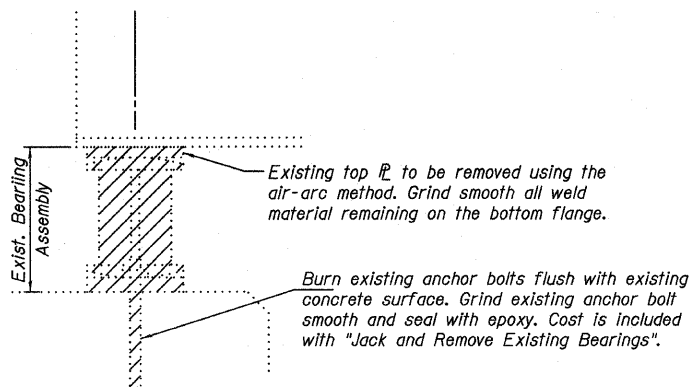
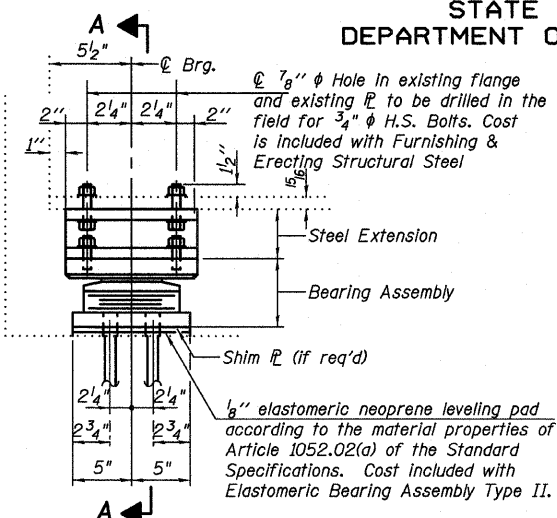


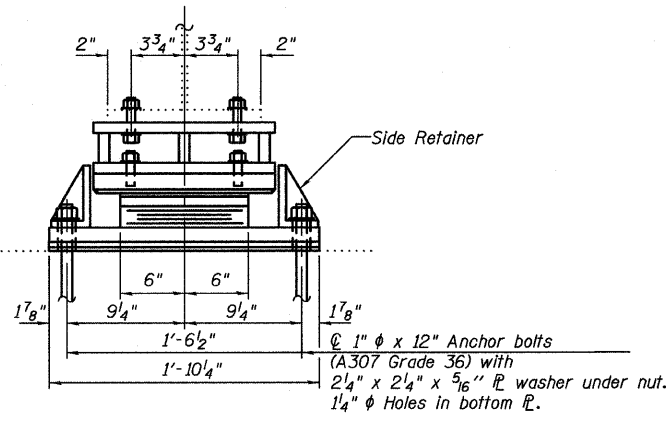
STATE OF ILLINOIS
DEPARTMENT OF TRANSPORTATION



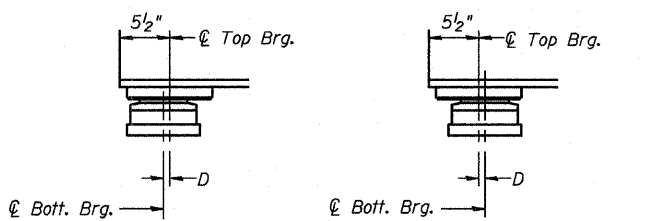
EXISTING BEARING REMOVAL DETAIL



ELEVATION AT S. ABUT.

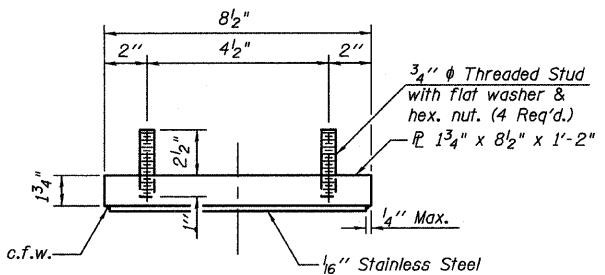


SECTION A-A

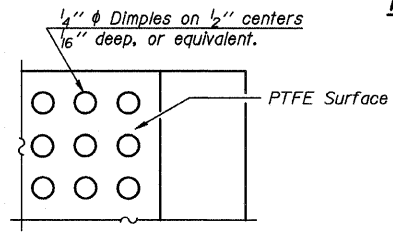


SETTING ANCHOR BOLTS AT EXP. BRG.

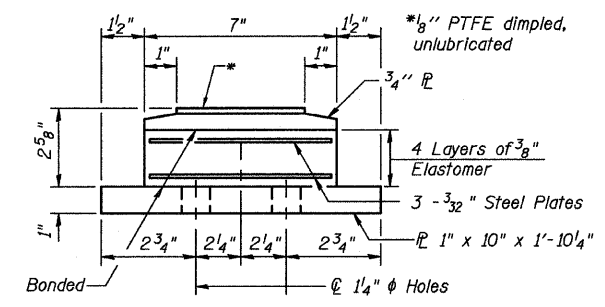
D = 1/8" per each 100' of expansion for every 15° temp. change from the normal temp. of 50°F.



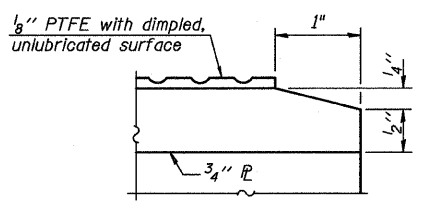
TOP BEARING ASSEMBLY



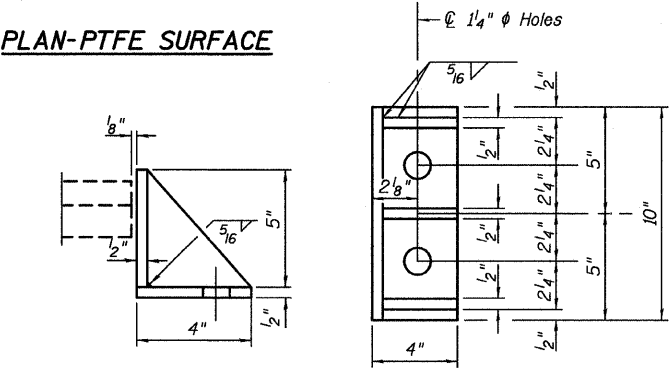
PLAN-PTFE SURFACE



BOTTOM BEARING ASSEMBLY

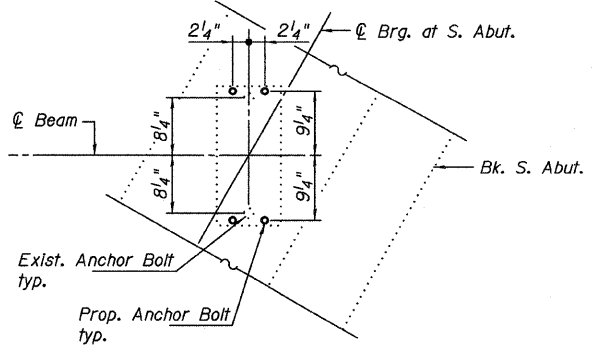


SECTION THRU PTFE

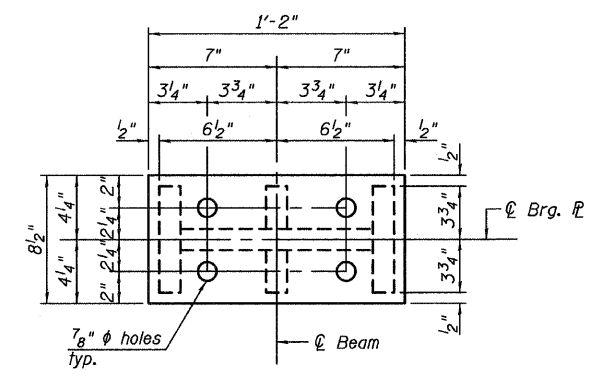


SIDE RETAINER

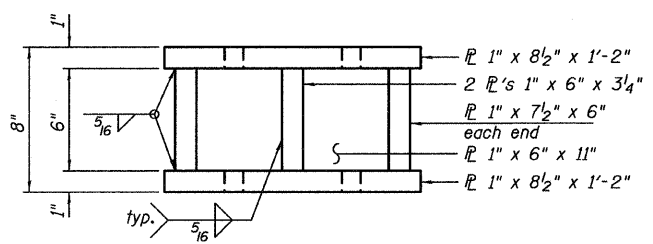
Equivalent rolled angle with stiffeners will be allowed in lieu of welded plates



PARTIAL PLAN ANCHOR BOLT LOCATIONS



PLAN - TOP & BOTTOM PLATES



STEEL EXTENSION

GIRDER REACTION TABLE

Dead Load (k)	19.8
Live LoAD (K)	33.1
Impact (k)	9.3
Total (k)	62.2
Min. Jack Capacity (Tons)	35

Notes:
Anchor bolts shall be ASTM F1554 all-thread (or an Engineer-approved alternate material) of the grade(s) and diameter(s) specified. ASTM A307 Grade C anchor bolts may be used in lieu of ASTM F1554 Grade 36 (Fy=36ksi). The corresponding specified grade of AASHTO M314 anchor bolts may be used in lieu of ASTM F1554.
Drilled and set anchor bolts shall be installed according to Article 521.06 of the Standard Specifications.
Side retainers and other steel members required for the bearing assembly other than the steel extensions shall be included in the cost of Elastomeric Bearing Assembly, Type I.

BILL OF MATERIAL (TWO STRUCTURES)

Item	Unit	Total
Jack and Remove Existing Bearings	Each	14
Elastomeric Bearing Assembly, Type I	Each	14
Anchor Bolts, 1"	Each	56
Furnishing and Erecting Structural Steel	Pound	1,750

TYPE II BEARING DETAILS
I-57 OVER ABANDONED RAILROAD
F.A.I. RTE. 57 - SECTION 99-2VB-I-1
WILL COUNTY
STATION 942+54.75
STRUCTURE NO. 099-0038 (NB)
STRUCTURE NO. 099-0039 (SB)

DESIGNED - CMV
CHECKED - SDS
DRAWN - DLH
CHECKED - CMV

WHKS & CO.
ENGINEERING
7018 KINGSMILL CT.,
SPRINGFIELD, IL
(217) 483-9457
DESIGN FIRM #184001036

SHEET NO. 16	F.A.I. RTE.	SECTION	COUNTY	TOTAL SHEETS	SHEET NO.
	57	99-2VB-I-1	WILL	38	26
23 SHEETS	C-91-215-10		CONTRACT NO. 60J25		
ILLINOIS FED. AID PROJECT					