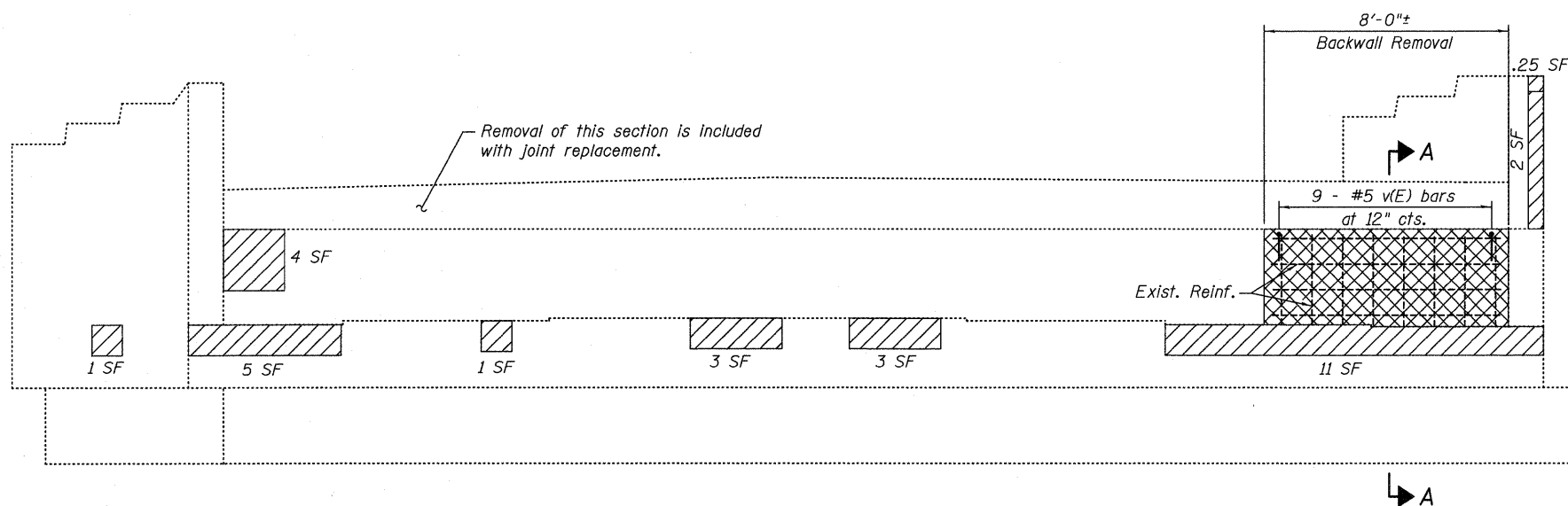
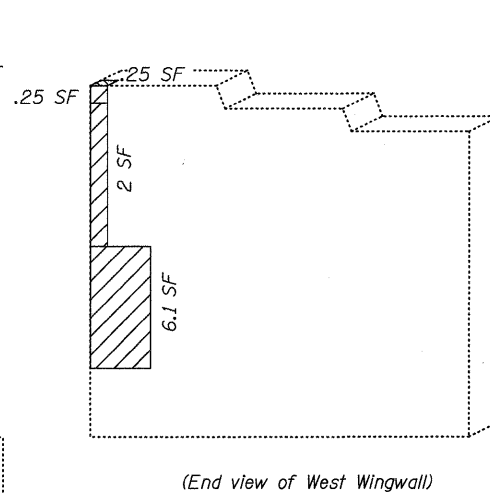


STATE OF ILLINOIS
DEPARTMENT OF TRANSPORTATION

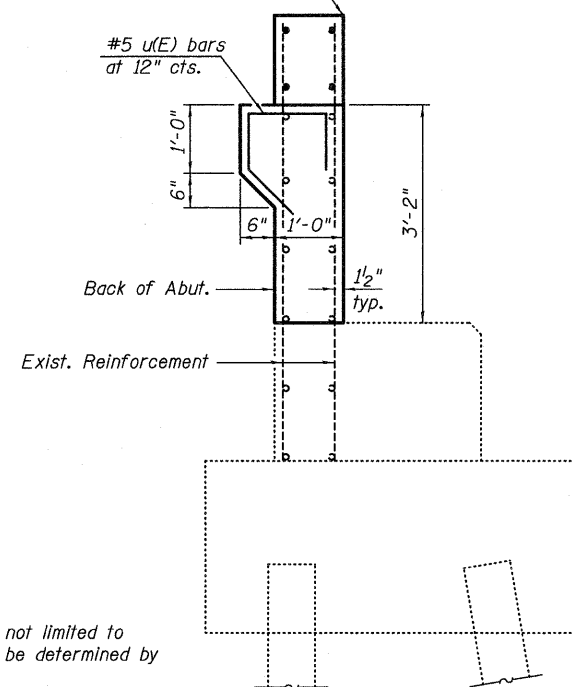


SB BRIDGE - SOUTH ABUTMENT ELEVATION
(Looking South)



(End view of West Wingwall)

For Expansion Joint Details
See sheet 12 of 23.



SECTION A-A

(Showing concrete replacement)

Notes:

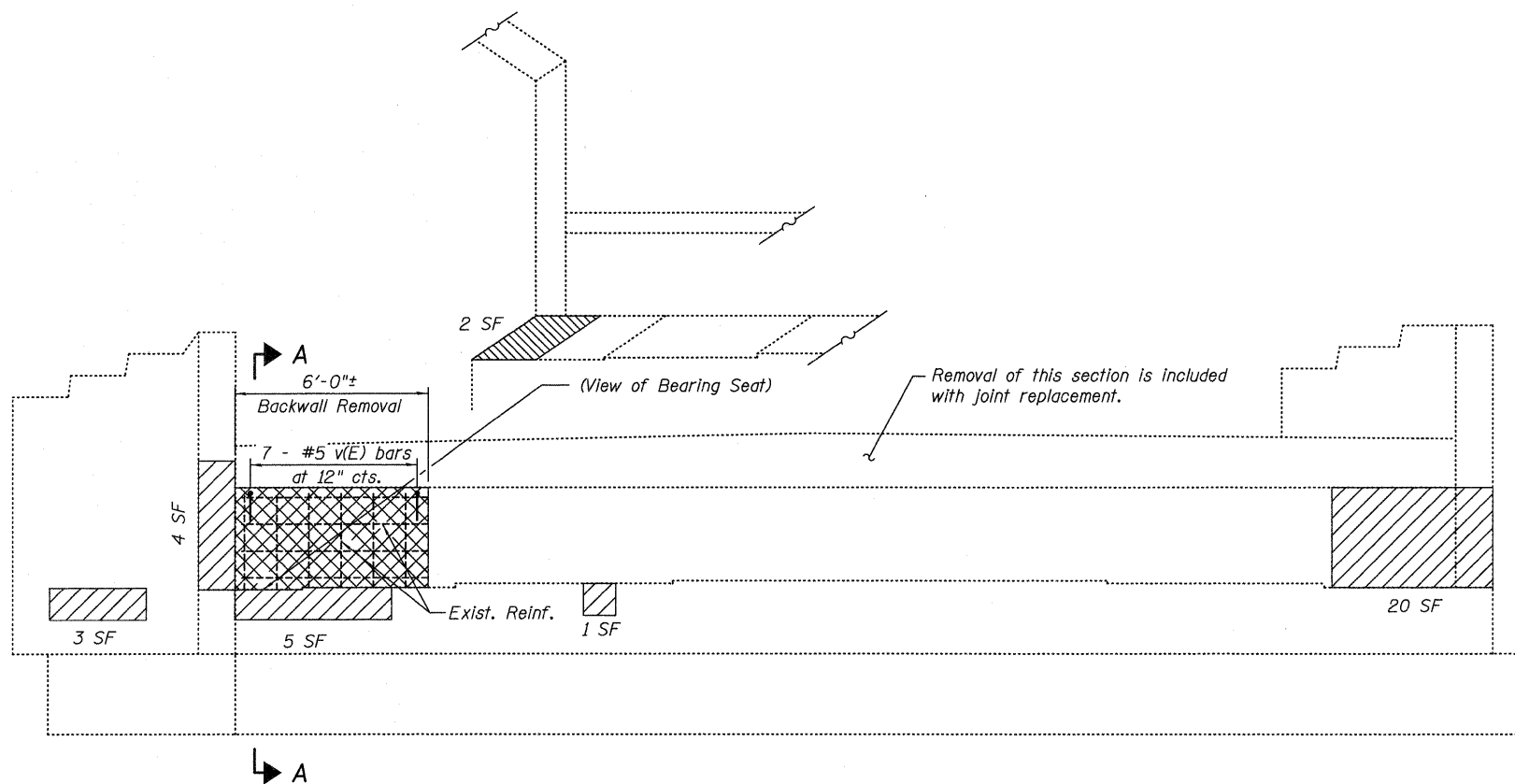
Repairs of the existing abutments shall include but not limited to the areas shown. The actual area to be repaired will be determined by the Engineer at the time of construction.

Hatched areas indicate concrete sections to be removed and replaced. Perimeters at concrete removal areas shall be saw cut 3/4" prior to removal of the concrete.

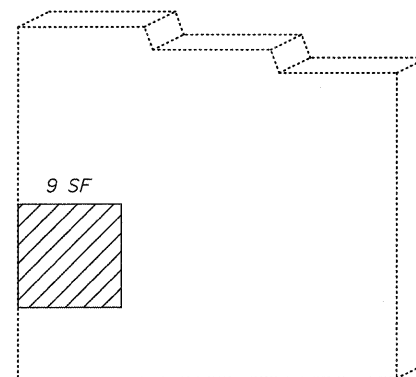
Existing reinforcement shall be cleaned, straightened (if required) and incorporated into the new construction. Cost included with Concrete Removal.

Existing reinforcement bars which have lost 25% or more of their original diameter shall be supplemented by new epoxy coated bars of the same diameter. New bars shall be drilled and epoxy grouted in adjacent to the original bars, as directed by the Engineer, or with an approved splicer.

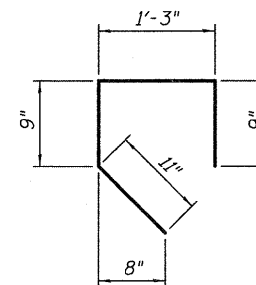
Drilling and epoxy grouting of reinforcement bars shall be in accordance with Article 584 of the Standard Specifications.



SB BRIDGE - NORTH ABUTMENT ELEVATION
(Looking North)



(End view of East Wingwall)



BAR v(E)

BILL OF MATERIAL
(TWO ABUTMENTS)

Bar	No.	Size	Length	Shape	
v(E)	16	#5	3'-8"	U	
Reinforcement Bars, Epoxy Coated				Pound	70
Concrete Removal				Cu. Yd.	2.0
Concrete Structures				Cu. Yd.	2.0

(Sheet 2 of 2)

SB BRIDGE - ABUTMENT REPAIRS
I-57 OVER ABANDONED RAILROAD
F.A.I. RTE. 57 - SECTION 99-2VB-I-1
WILL COUNTY
STATION 942+54.75
STRUCTURE NO. 099-0038 (NB)
STRUCTURE NO. 099-0039 (SB)

DESIGNED - CMV
CHECKED - SDS
DRAWN - DLH
CHECKED - CMV

WHKS & CO.
ENGINEERING
7018 KINGSMILL CT.,
SPRINGFIELD, IL
(217) 483-9457
DESIGN FIRM #184001036

LEGEND

- Structural Repair of Concrete (Depth equal to or less than 5") = 87 SF
- Concrete removal and replacement

SHEET NO. 18	F.A.I. RTE.	SECTION	COUNTY	TOTAL SHEETS	SHEET NO.
	57	99-2VB-I-1	WILL	38	28
23 SHEETS	C-91-215-10		CONTRACT NO. 60J25		
ILLINOIS FED. AID PROJECT					