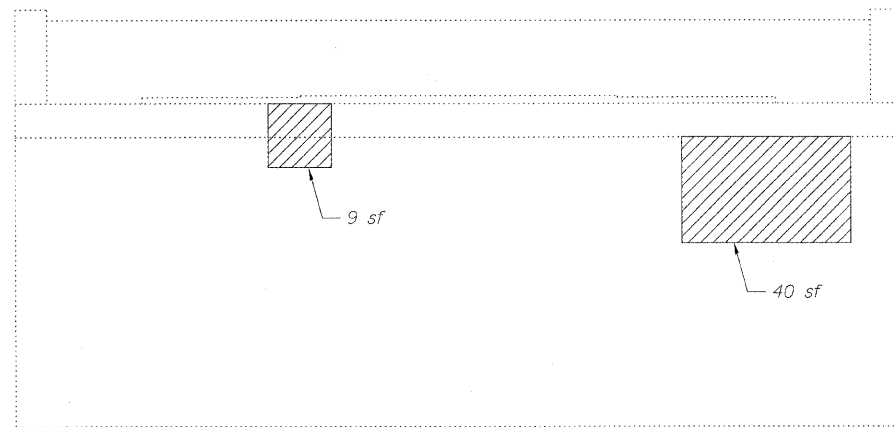
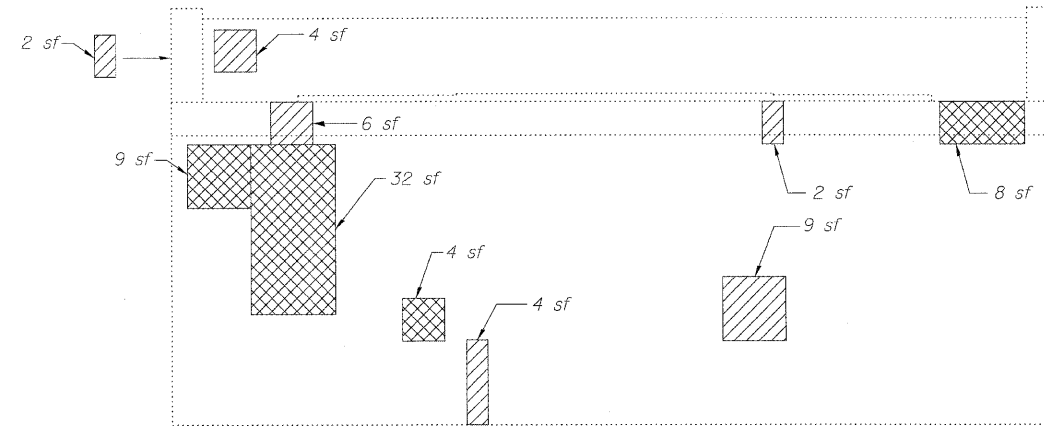


STATE OF ILLINOIS  
DEPARTMENT OF TRANSPORTATION



**EAST ABUTMENT ELEVATION**  
(Looking East)



**WEST ABUTMENT ELEVATION**  
(Looking West)

**LEGEND**

- Structural Repair of Concrete (Depth Equal To or Less Than 5 in.)
- Structural Repair of Concrete (Depth Greater Than 5 in.)

sf Square Feet

*Note:*  
Repair of the existing abutments shall include but may not be limited to the areas shown. The actual areas to be repaired will be determined by the Engineer at the time of construction.

**BILL OF MATERIAL**

Item	Unit	Total
Structural Repair of Concrete (Depth Equal To or Less Than 5 in.)	Sq. Ft.	88
Structural Repair of Concrete (Depth Greater Than 5 in.)	Sq. Ft.	61

**ABUTMENT REPAIR  
STRUCTURE NO. 016-1099**

<b>LIN ENGINEERING, LTD.</b> Consulting Engineers Chatham, Illinois	SHEET NO. 8	F.A.I. RTE.	SECTION	COUNTY	TOTAL SHEETS	SHEET NO.
	10 SHEETS	57	0607-1007 HB-1	COOK	29	15
					CONTRACT NO. 60J26	
FED. ROAD DIST. NO. - ILLINOIS FED. AID PROJECT						