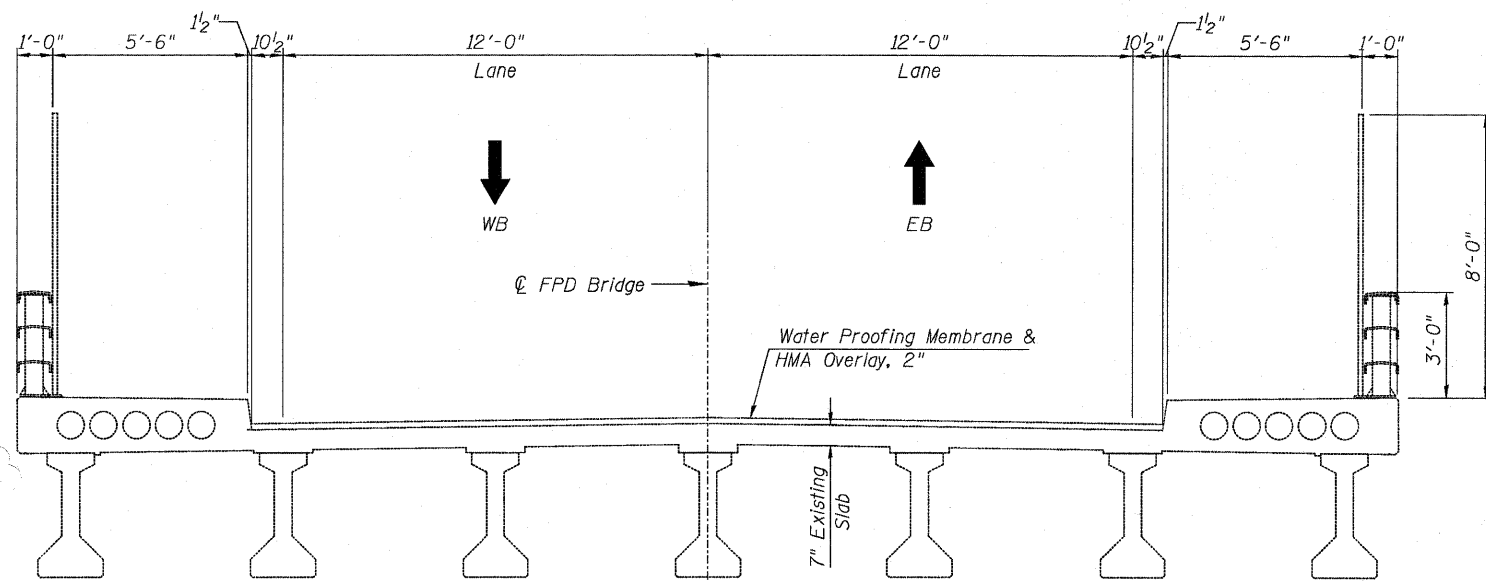
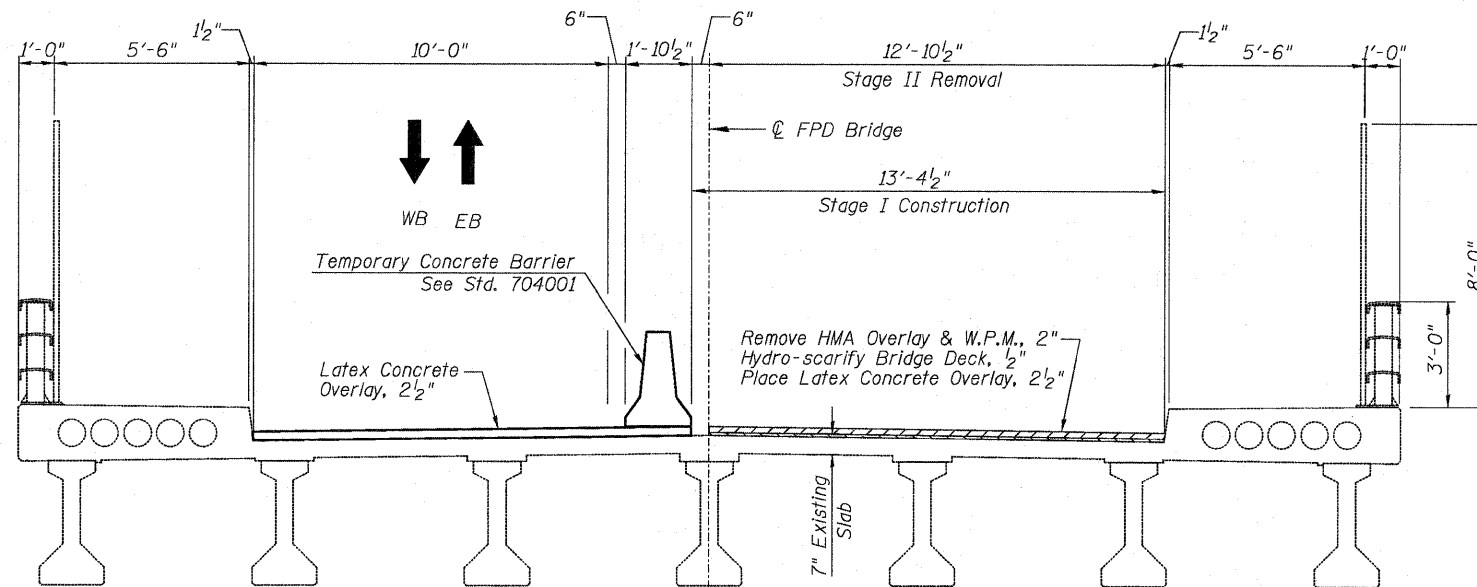


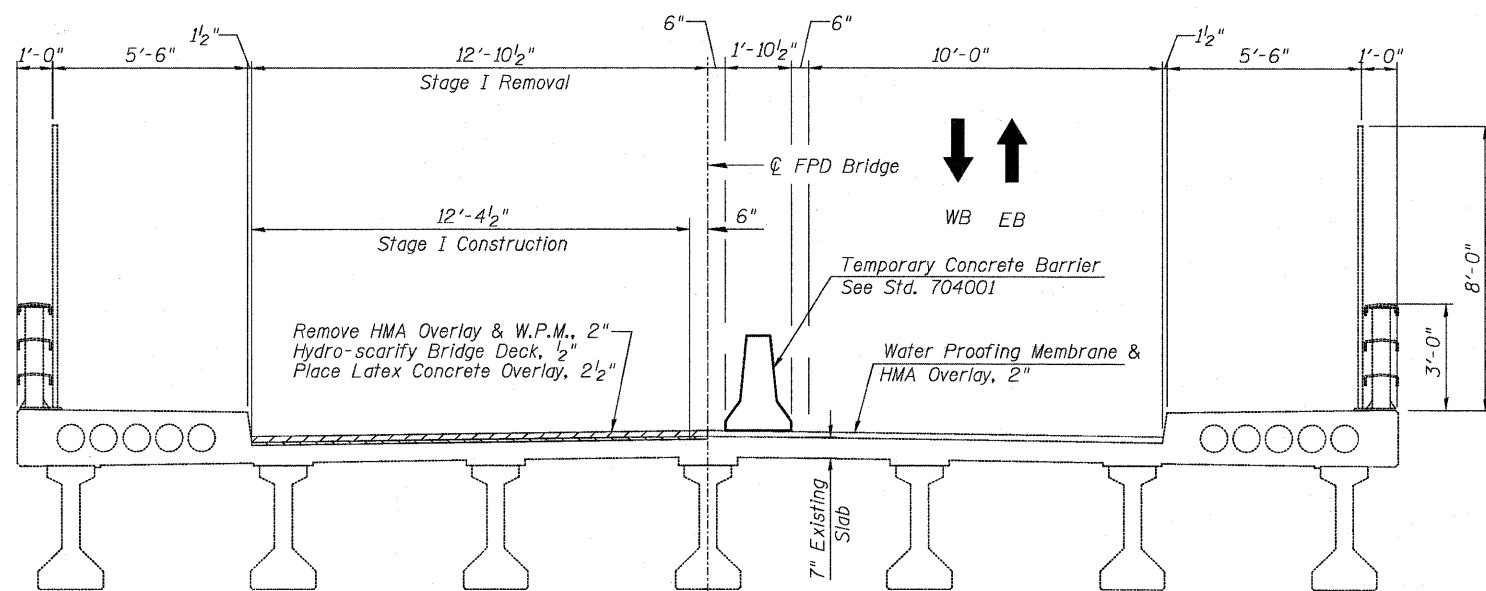
STATE OF ILLINOIS
DEPARTMENT OF TRANSPORTATION



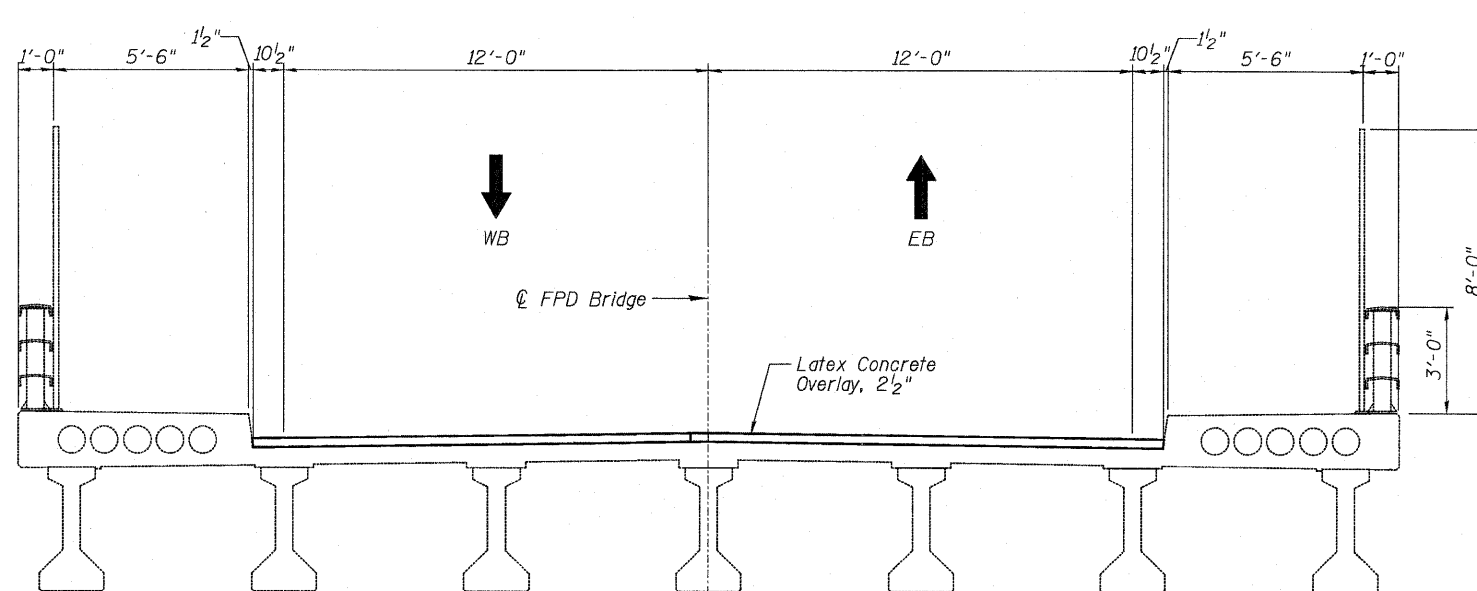
EXISTING
Looking East



STAGE 2 REMOVAL & CONSTRUCTION
Looking East



STAGE 1 REMOVAL & CONSTRUCTION
Looking East



FINAL
Looking East

LEGEND:

- HMA Overlay Removal
- Bridge Deck Hydro-scarification 1/2"

DESIGNED	JPM
CHECKED	TG
DRAWN	MPS
CHECKED	JPM, TG



180 S. WACKER DRIVE SUITE 700 • CHICAGO, IL 60606 • P:312-686-8918 F:312-686-8415

STAGE CONSTRUCTION DETAILS
STRUCTURE NO. 016-2039

SHEET NO. S2	F.A.I. RTE.	SECTION	COUNTY	TOTAL SHEETS	SHEET NO.
	94	0101.15-I	COOK	20	9
S9 SHEETS	CONTRACT NO. 60J29			ILLINOIS FED. AID PROJECT	