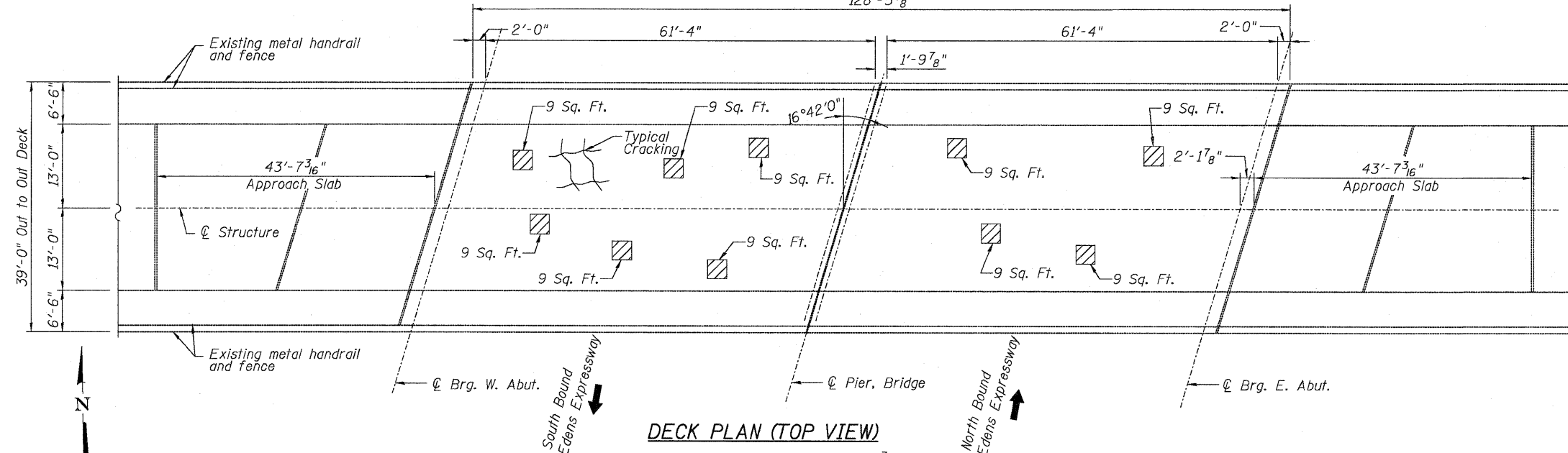
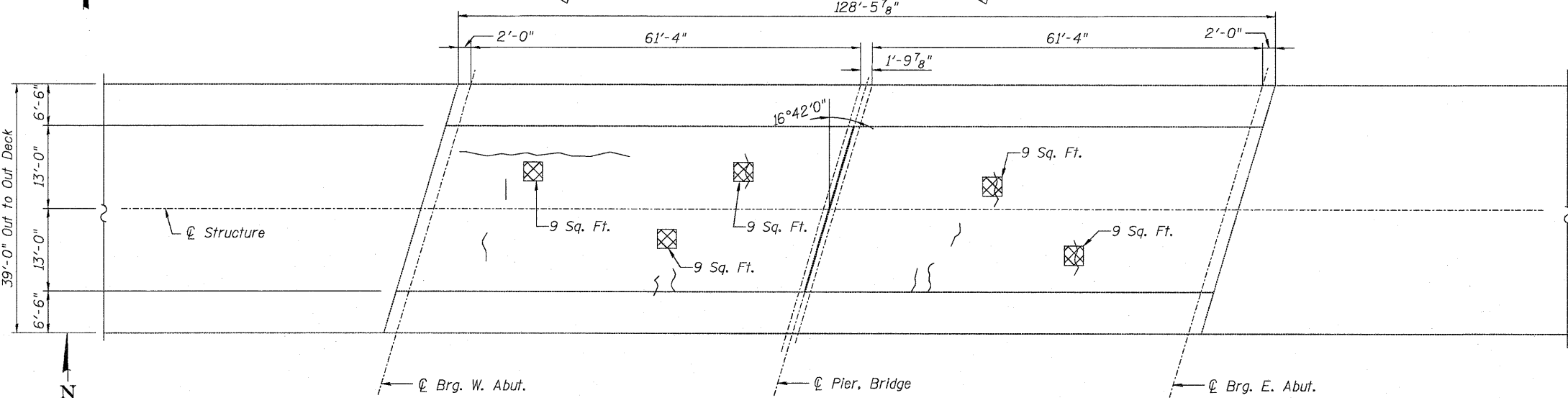


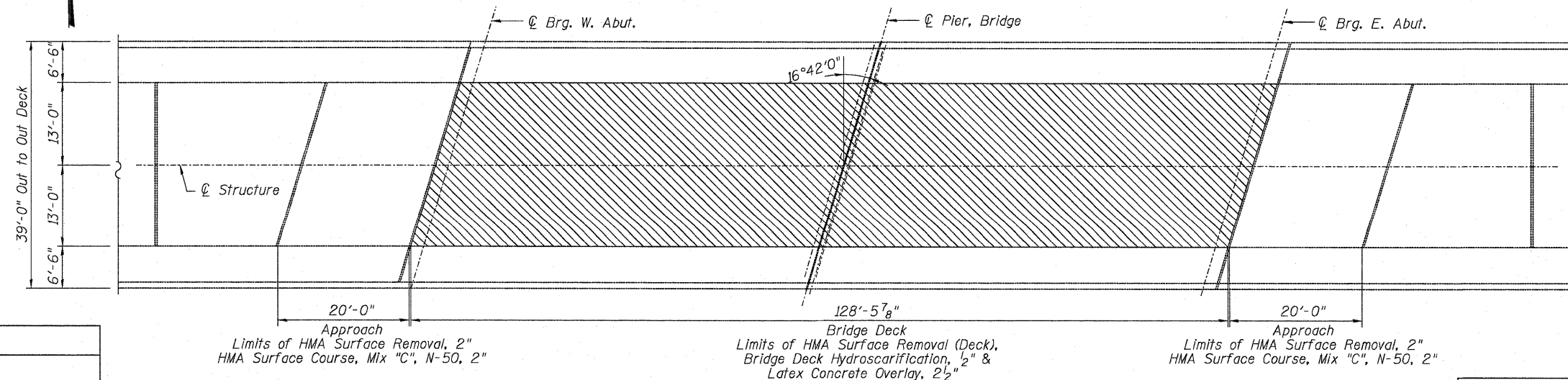
STATE OF ILLINOIS  
DEPARTMENT OF TRANSPORTATION  
128'-5 7/8"



DECK PLAN (TOP VIEW)



DECK PLAN (UNDERSIDE)



DECK PLAN (HYDRO-SCARIFICATION)

Note:  
Repair of the existing bridge deck shall include but may not be limited to the areas shown. The actual areas to be repaired will be determined by the Engineer at the time of construction.

BILL OF MATERIAL

ITEM	UNIT	QUANTITY
Deck Slab Repair (Full Depth Type II)	Sq. Yd.	5
Bridge Deck Hydroscarification, 1/2"	Sq. Yd.	368
Bridge Deck Latex Concrete Overlay, 2 1/2"	Sq. Yd.	368
Hot-Mix Asphalt Surface Course, Mix "C", N-50, 2"	Tons	14
Hot-Mix Asphalt Surface Removal (Deck)	Sq. Yd.	368
Hot-Mix Asphalt Surface Removal, 2"	Sq. Yd.	115

LEGEND:

- Deck Slab Repair (Partial Depth)
- Deck Slab Repair (Full Depth)
- Hydro-scarification, 1/2"

BRIDGE DECK PATCHING & HYDRO-SCARIFICATION PLAN  
STRUCTURE NO. 016-2039

DESIGNED JPM  
CHECKED TG  
DRAWN MPS  
CHECKED JPM, TG



180 S. WACKER DRIVE SUITE 700, CHICAGO IL 60606 P.312-686-0910 F.312-686-0415

SHEET NO. S4 S9 SHEETS	F.A.I. RTE. 94	SECTION 0101.15-1	COUNTY COOK	TOTAL SHEETS 20	SHEET NO. 11
	CONTRACT NO. 60J29			ILLINOIS FED. AID PROJECT	