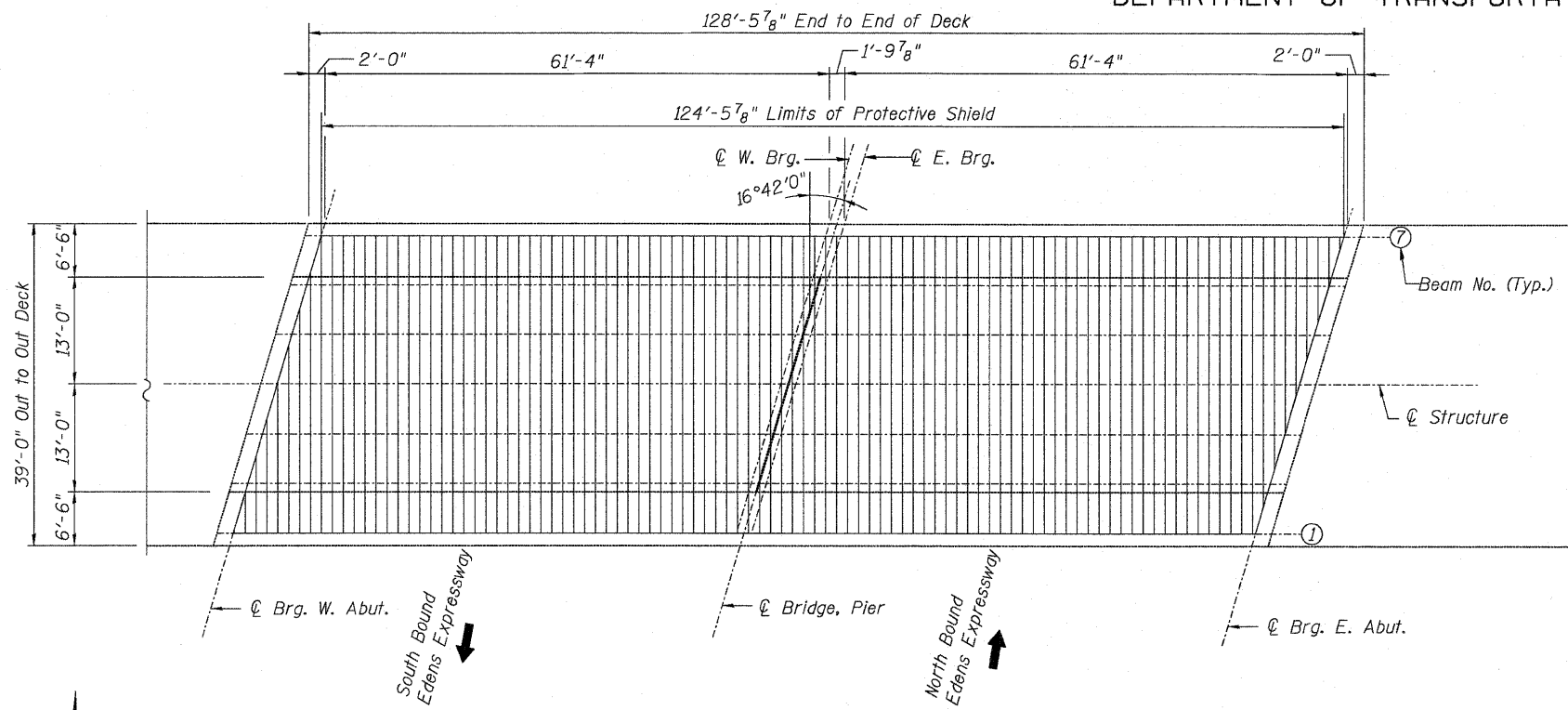
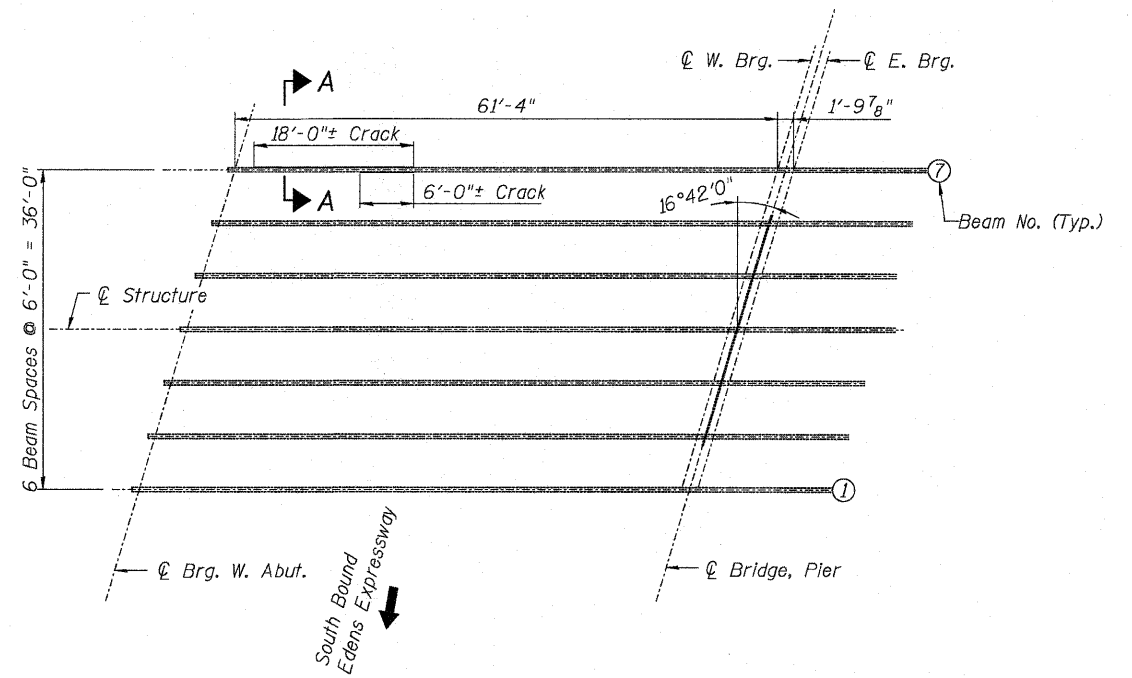


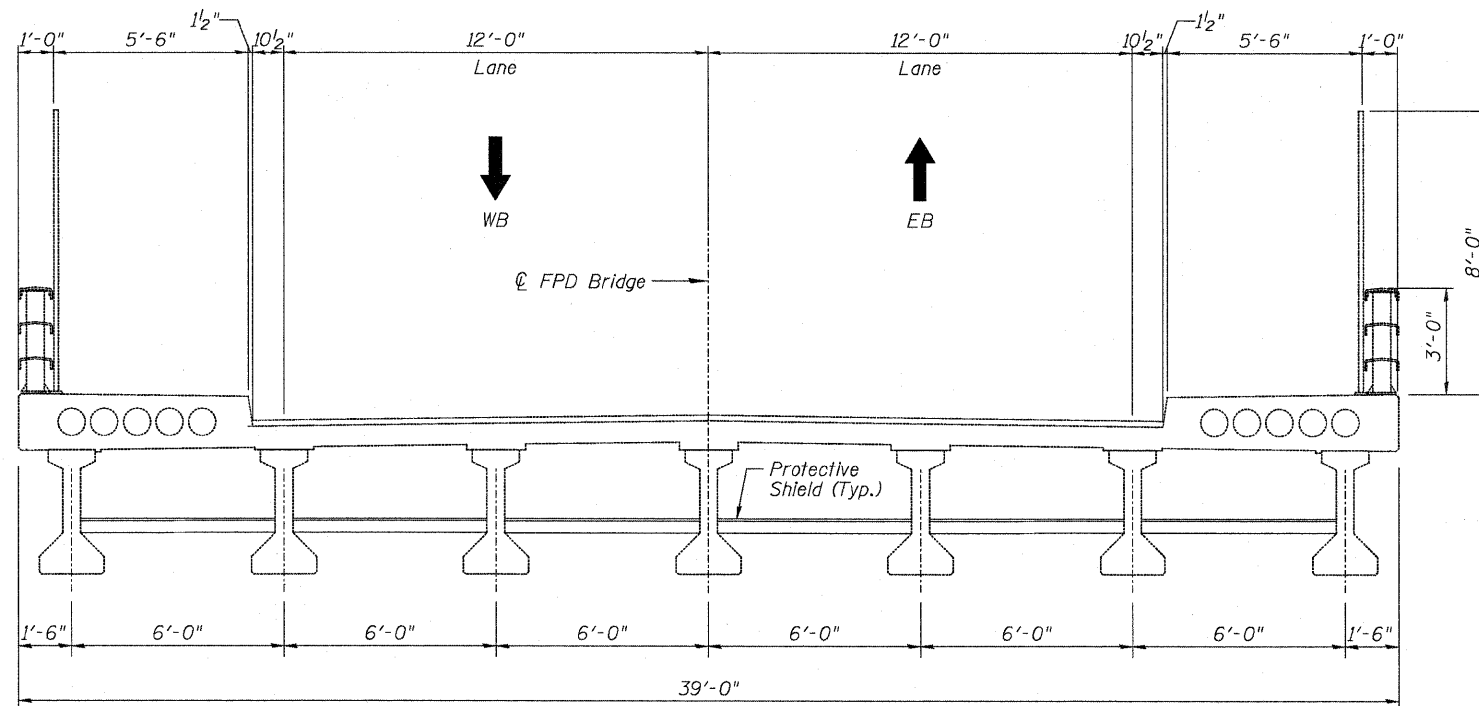
STATE OF ILLINOIS  
DEPARTMENT OF TRANSPORTATION



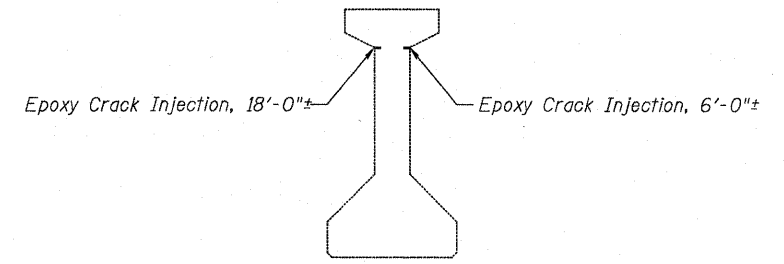
**DECK PLAN**  
PROTECTIVE SHIELD SHOWN



**PARTIAL FRAMING PLAN**



**BRIDGE CROSS SECTION**  
Looking East



**SECTION A-A**

**BILL OF MATERIAL**

ITEM	UNIT	QUANTITY
Protective Shield (Permanent)	Sq. Yd.	514
Epoxy Crack Injection	Foot	24

Note:  
1. Protective Shield shall be installed prior to deck slab repairs.  
2. For Protective Shield details, see Sheet S6 of S9.

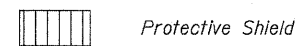
**PROTECTIVE SHIELD PLAN  
& PPC BEAM REPAIR DETAIL**  
STRUCTURE NO. 016-2039

DESIGNED	JPM
CHECKED	TG
DRAWN	MPS
CHECKED	JPM, TG



180 S. WACKER DRIVE, SUITE 700, CHICAGO, IL 60606 • P:312-686-8918 F:312-686-8415

**LEGEND:**



SHEET NO. S5 S9 SHEETS	F.A.I. RTE. 94	SECTION 0101.15-I	COUNTY COOK	TOTAL SHEETS 20	SHEET NO. 12
	CONTRACT NO. 60J29			ILLINOIS FED. AID PROJECT	