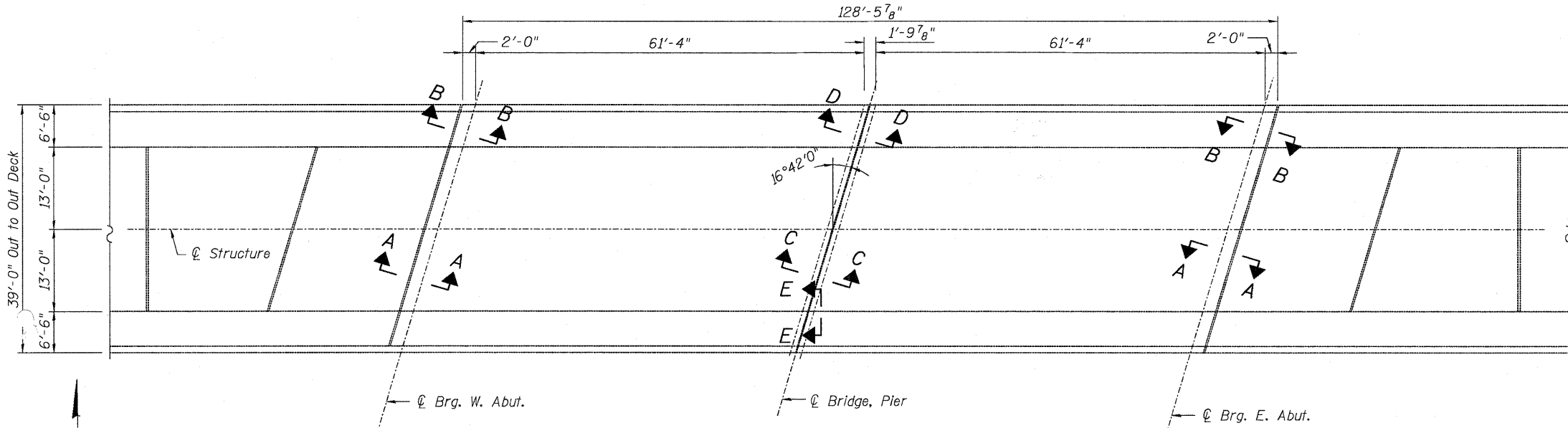


STATE OF ILLINOIS
DEPARTMENT OF TRANSPORTATION

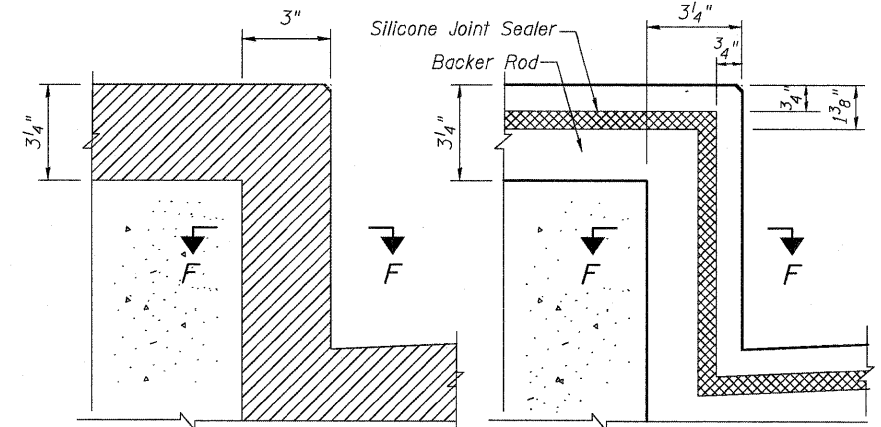
BILL OF MATERIAL

ITEM	UNIT	QUANTITY
Silicone Joint Sealer, 1 3/4"	Foot	127
Polymer Concrete	Cu. Ft.	7

NOTE:
Concrete Removal is included with Polymer Concrete

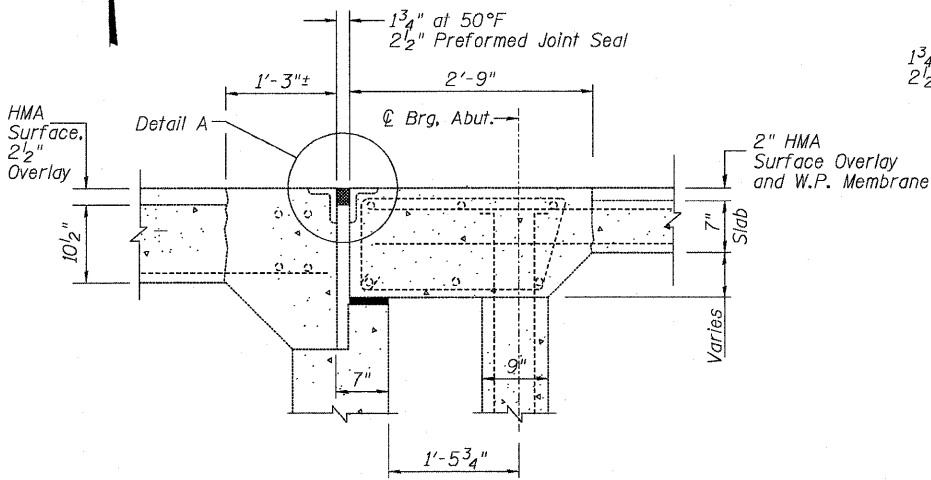


DECK PLAN

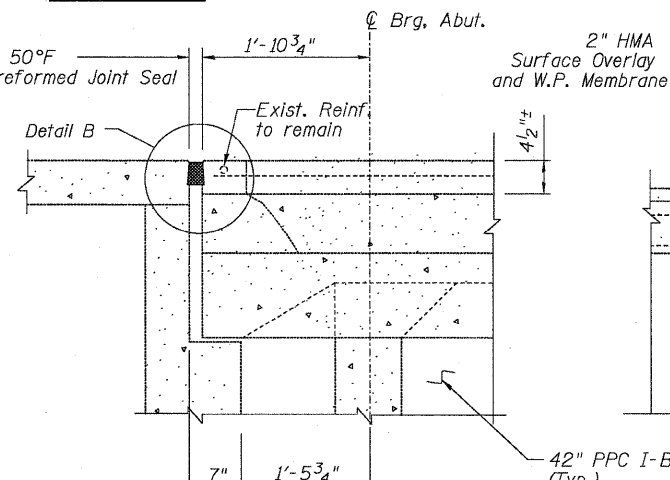


SECTION E-E
EXISTING

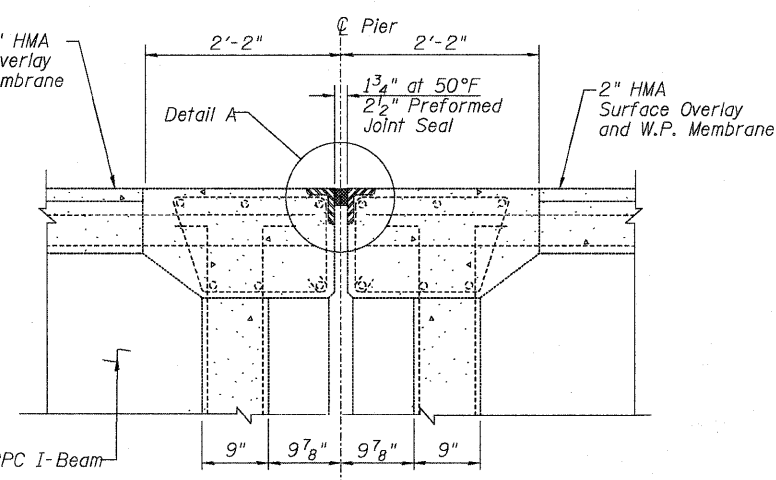
SECTION E-E
PROPOSED



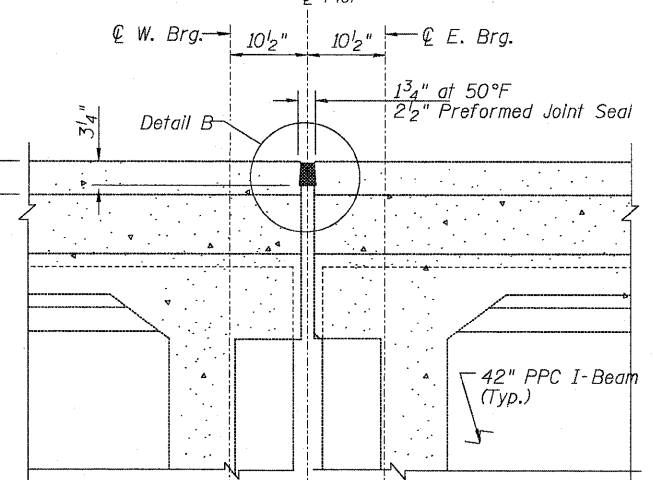
SECTION A-A
EXISTING



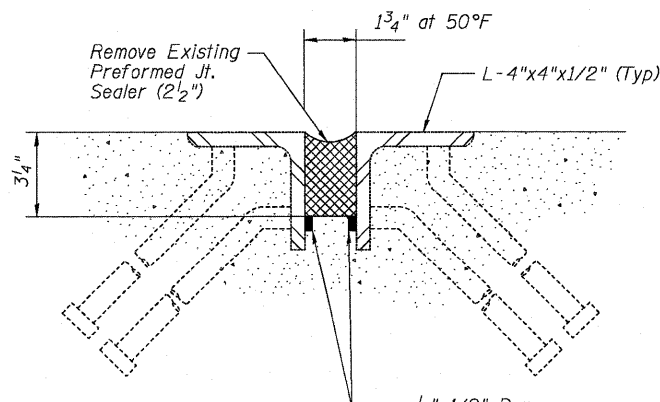
SECTION B-B
EXISTING



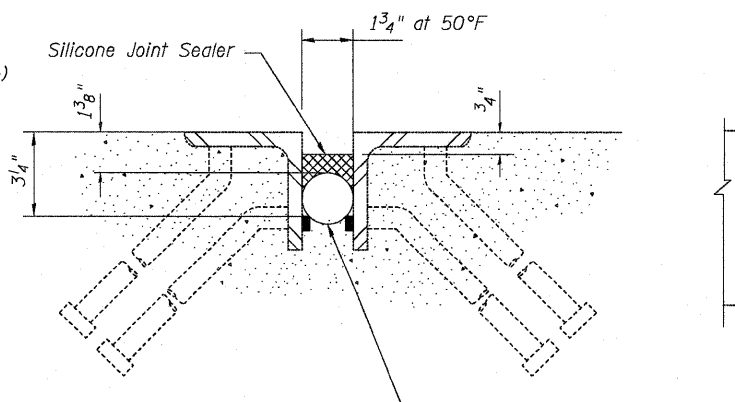
SECTION C-C
EXISTING



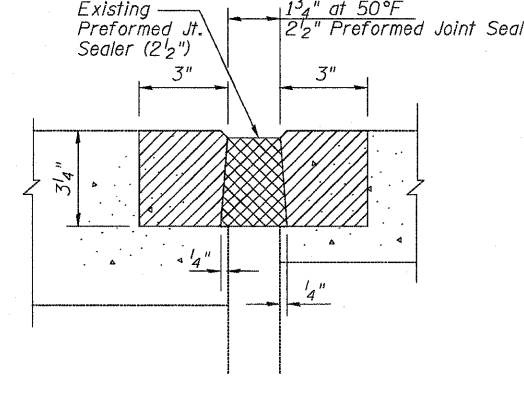
SECTION D-D
EXISTING



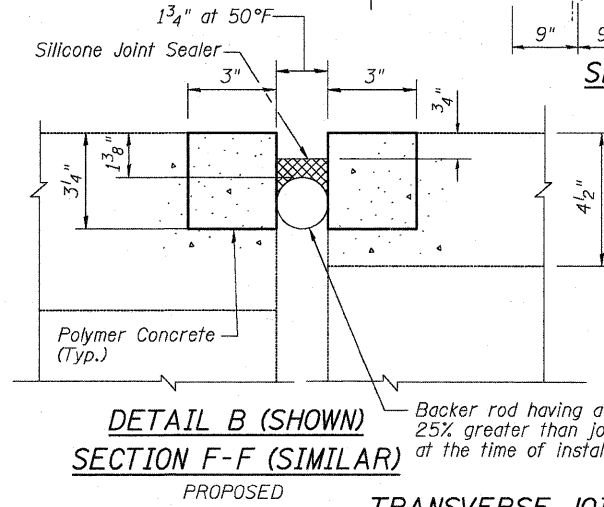
DETAIL A
EXISTING



DETAIL A
PROPOSED



DETAIL B (SHOWN)
SECTION F-F (SIMILAR)
EXISTING



DETAIL B (SHOWN)
SECTION F-F (SIMILAR)
PROPOSED

LEGEND:
Concrete Removal

TRANSVERSE JOINT RECONSTRUCTION DETAILS
STRUCTURE NO. 016-2039

DESIGNED JPM
CHECKED TG
DRAWN MPS
CHECKED JPM, TG

Primera
110 S. WACKER DRIVE SUITE 700 • CHICAGO IL 60606 • F.312-686-9910 F.312-686-9415

SHEET NO.	F.A.I. RTE.	SECTION	COUNTY	TOTAL SHEETS	SHEET NO.
S9	94	0101.15-I	COOK	20	16
S9 SHEETS			CONTRACT NO. 60J29		
ILLINOIS FED. AID PROJECT					