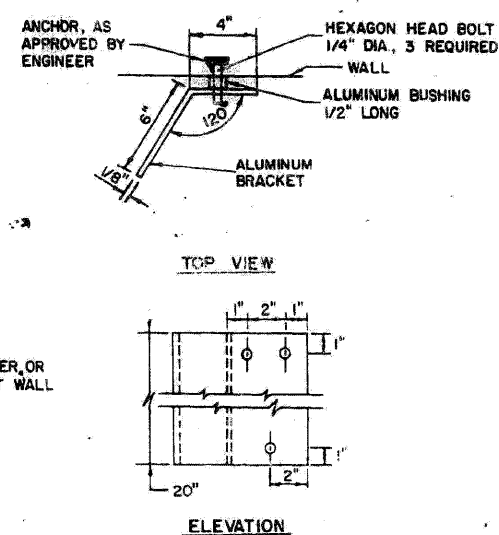
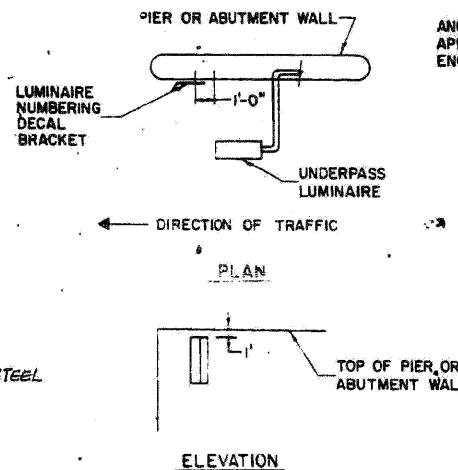
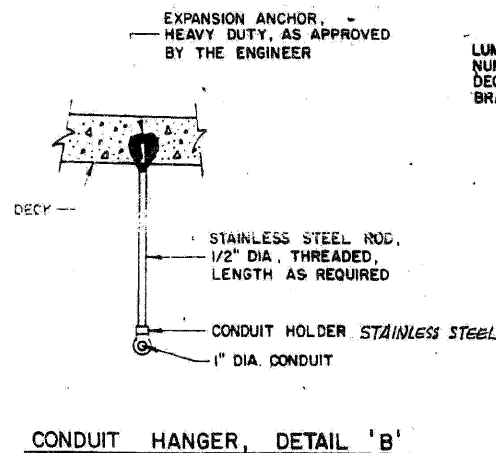
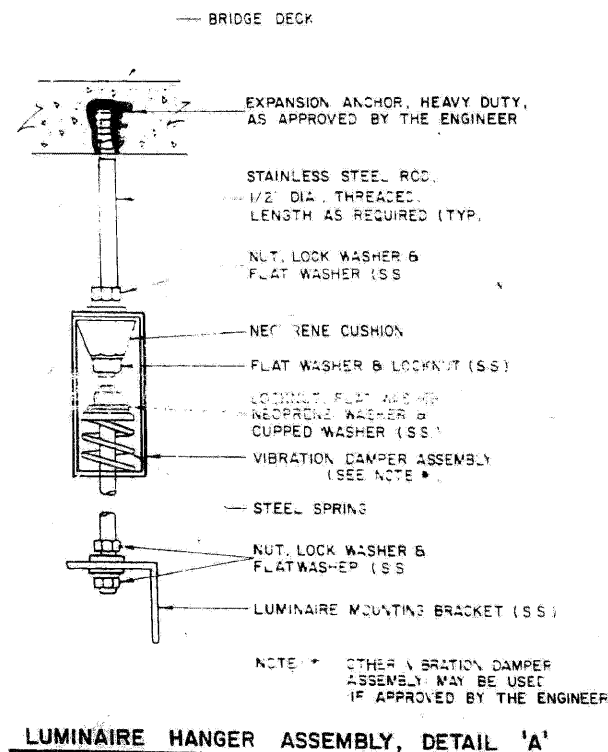


NOTES

1. ALL UNDERPASS LUMINAIRE SHALL BE SPACED 30 FT. APART, UNLESS SHOWN DIFFERENT ON THE PLANS, OR AS DIRECTED BY THE ENGINEER.
2. ALL UNDERPASS LUMINAIRE SHALL BE POSITIONED TO HAVE THE LONGITUDINAL CENTERLINE OF THE FIXTURE PARALLEL TO EDGE OF PAVEMENT.

ELEVATION OF UNDERPASS LUMINAIRE INSTALLATION
TYPICAL FOR ALL BRIDGES. SEE PLAN SHEETS FOR PLAN VIEW



LUMINAIRE NUMBERING DECAL BRACKET

FOR INFORMATION ONLY

FILE NAME =	DESIGNED - RMG	REVISED -
USER NAME =	DRAWN - RMG	REVISED -
PLOT DATE = 03/22/2010	CHECKED - KJN	REVISED -
	DATE - 3/19/10	REVISED -

benesch

**STATE OF ILLINOIS
DEPARTMENT OF TRANSPORTATION**

EXISTING LIGHTING PLANS

SCALE: N.T.S. SHEET NO. 4 OF 4 SHEETS STA. TO STA.

F.A.I. RTE.	SECTION	COUNTY	TOTAL SHEETS	SHEET NO.
94	1010.1-1-2	COOK	37	12
FED. ROAD DIST. NO.		ILLINOIS FED. AID PROJECT		
		CONTRACT NO. 60J30		