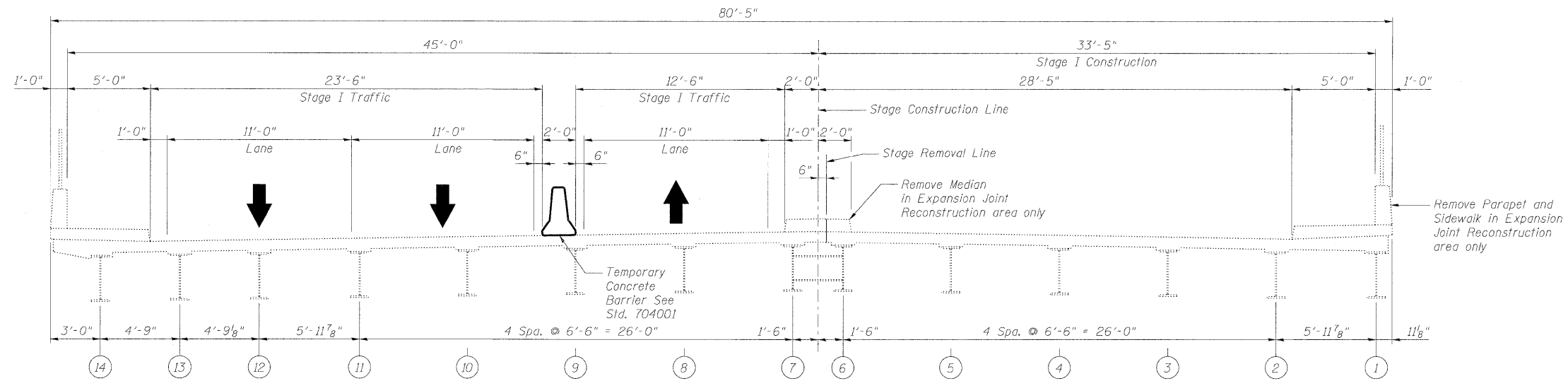
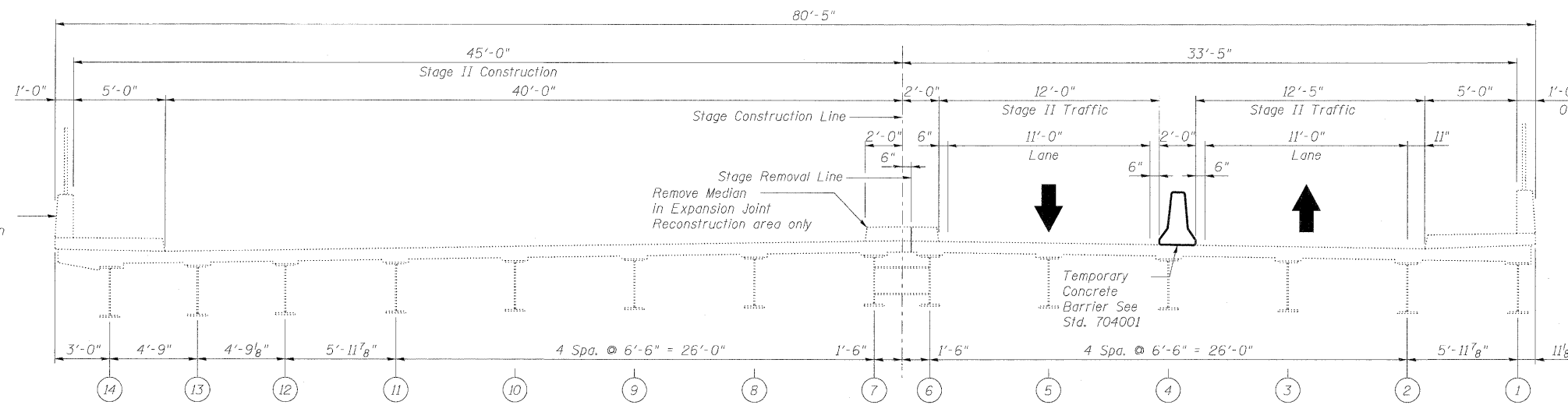


STATE OF ILLINOIS
DEPARTMENT OF TRANSPORTATION



STAGE I CROSS SECTION
(Looking East)



STAGE II CROSS SECTION
(Looking East)

Note:

For quantity of Temporary Concrete Barrier, see Roadway Plans.

| | |
|------------|-----|
| DESIGNED - | JLS |
| CHECKED - | KWS |
| DRAWN - | RMG |
| CHECKED - | KWS |

benesch

alfred benesch & company
Engineers • Surveyors • Planners
205 North Michigan Avenue, Suite 2400
Chicago, Illinois 60601
312-955-0450 Job No. 10032.13

| | | | | | |
|--------------------------|-------------|------------|---------------------------|--------------|-----------|
| SHEET NO. 3 17 SHEETS | F.A.I. RTE. | SECTION | COUNTY | TOTAL SHEETS | SHEET NO. |
| | 94 | 1010.1-I-2 | COOK | 37 | 15 |
| FED. ROAD DIST. NO. | | | ILLINOIS FED. AID PROJECT | | |
| CONTRACT NO. 60J30 | | | | | |

STAGE CONSTRUCTION DETAILS
STRUCTURE NO. 016-0536