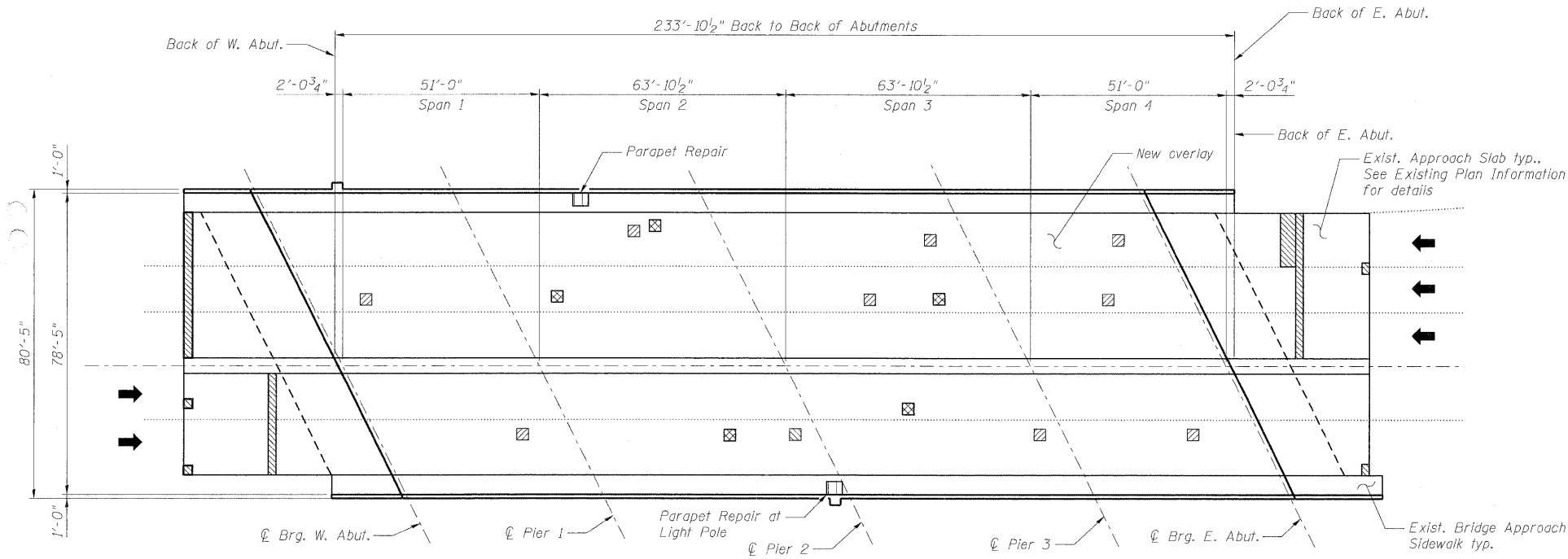
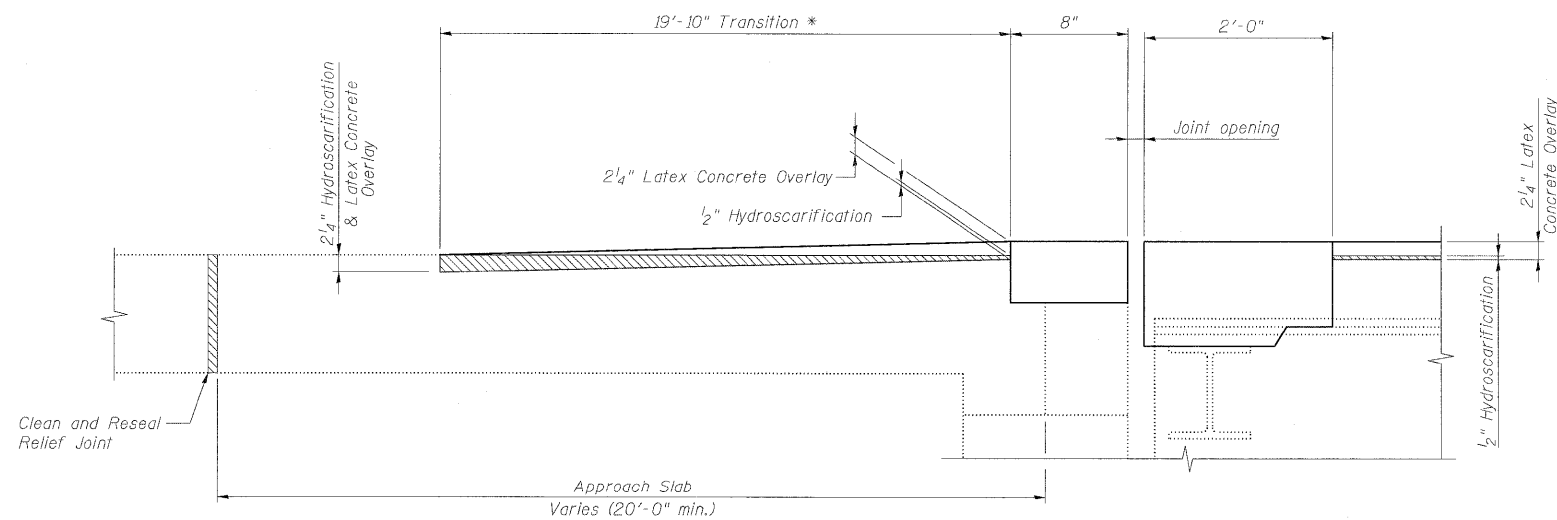


STATE OF ILLINOIS  
DEPARTMENT OF TRANSPORTATION



PLAN



SCARIFICATION & OVERLAY TRANSITION DETAIL

\*Cost of increased hydroscarification depth over length of transition shall be included with "Bridge Deck Hydro-Scarification, 1/2".

DESIGNED	JLS
CHECKED	KWS
DRAWN	RMG
CHECKED	KWS

**benesch**

alfred benesch & company  
Engineers • Surveyors • Planners  
205 North Michigan Avenue, Suite 2400  
Chicago, Illinois 60601  
312-566-0450 Job No. 10032.13

BILL OF MATERIAL

SYMBOL	ITEM	UNIT	QUANTITY
	Deck Slab Repair (Partial)	Sq. Yd.	11.0 ▲
	Deck Slab Repair (Full Depth, Type I)	Sq. Yd.	5.0
	Deck Slab Repair (Full Depth, Type II)	Sq. Yd.	5.5
	Cleaning and Painting Exposed Rebar (Special)	Sq. Ft.	50
	Approach Slab Repair (Partial Depth)	Sq. Yd.	5.0 ▲
	Approach Slab Repair (Full Depth)	Sq. Yd.	33.2
	Structural Repair of Concrete (Depth Equal to or Less Than 5 Inches)	Sq. Ft.	14
	Protective Shield	Sq. Yd.	1,284
	Bridge Deck Grooving	Sq. Yd.	1,832
	Protective Coat	Sq. Yd.	2,655
	Bridge Deck Latex Concrete Overlay, 2 1/4"	Sq. Yd.	1,911
	Bridge Deck Hydro-Scarification, 1/2"	Sq. Yd.	1,911
	Clean and Reseal Relief Joint	Foot	129

▲ For information only to assist the Contractor in bidding. See Special Provisions for "Bridge Deck Latex Concrete Overlay" and "Approach Slab Repair".

Notes:

- Deck, parapet, and approach slab repair areas are estimated based on an IDOT inspection in October of 2009. Actual repair areas and locations shall be determined by the Engineer and shown on As-Built plans.
- Protective Shield required for scarification operations and deck slab and/or parapet repairs, shall be installed according to Article 501.03 of the Standard Specifications. For limits of Protective Shield, see General Plan and Elevation sheet.

BRIDGE DECK AND APPROACH  
SLAB REPAIRS  
STRUCTURE NO. 016-0536

SHEET NO. 4 17 SHEETS	F.A.I. RTE.	SECTION	COUNTY	TOTAL SHEETS	SHEET NO.
	94	1010.1-I-2	COOK	37	16
FED. ROAD DIST. NO.			ILLINOIS FED. AID PROJECT		
CONTRACT NO. 60J30					