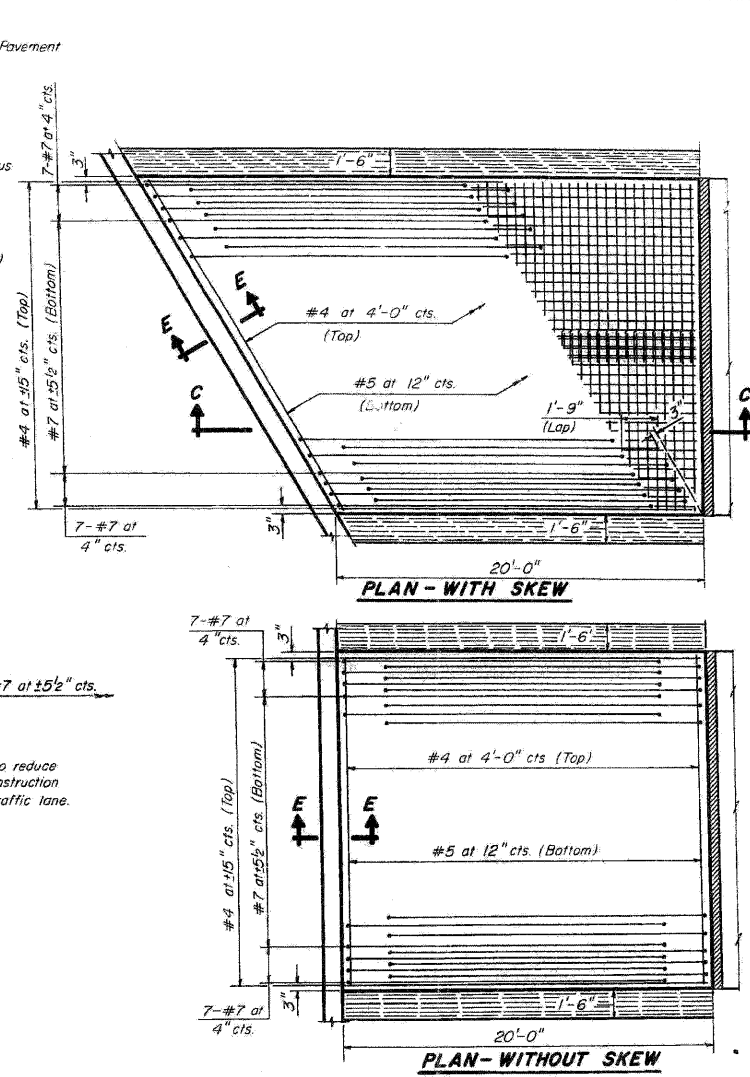
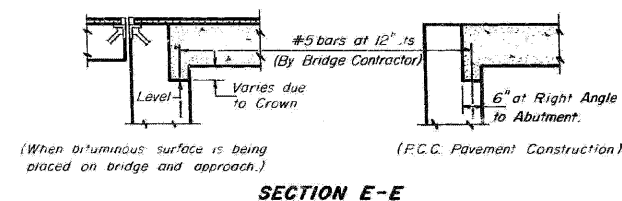
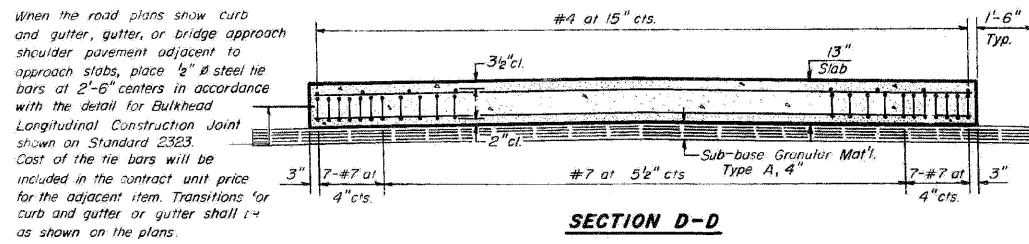
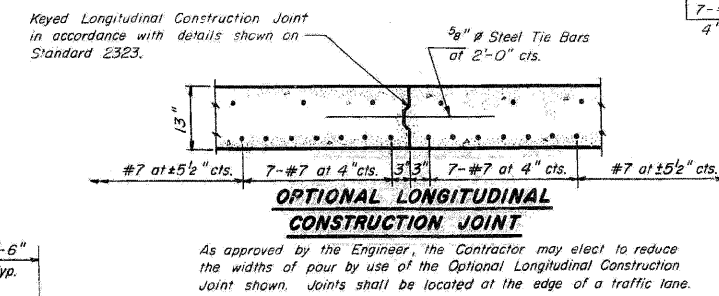
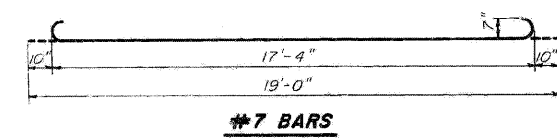
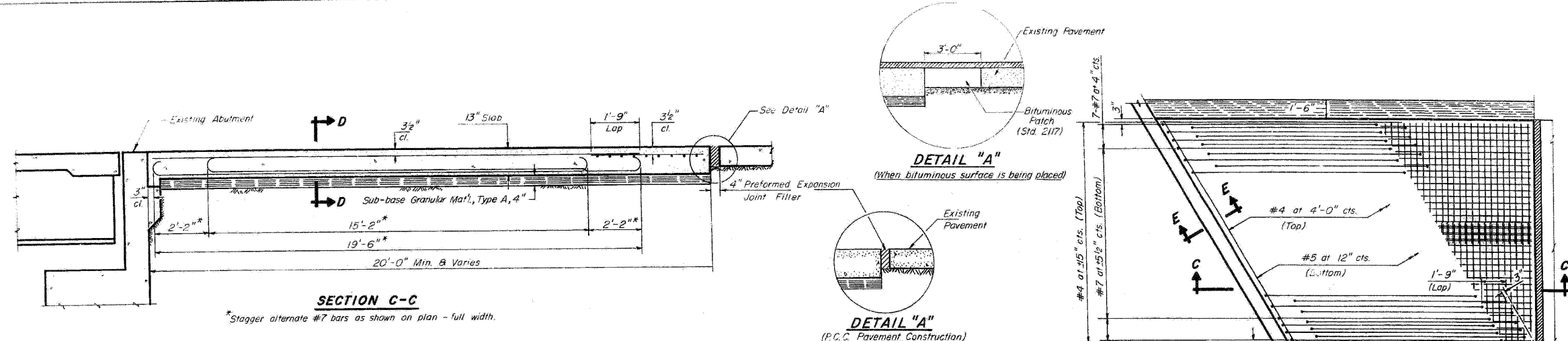


STATE OF ILLINOIS
DEPARTMENT OF TRANSPORTATION



Notes:
For skews of less than 10° omit wire fabric. For skews of 10° or more use Welded Wire Fabric, 6"x6"-W5.5 x W5.5, placed 3/8" below top of slab. Expanded Metal weighing not less than 78 Pounds per 100 Sq. Ft. or a welded bar mat weighing not less than 78 Pounds per 100 Sq. Ft. having members of equal size in both directions and spaced not over 8" apart may be used instead of the Welded Wire Fabric, 6"x6"-W5.5 x W5.5, provided the expanded metal or bar mat is furnished at no additional cost to the State. Reinforcement bars shall conform to the requirements of A.A.S.H.T.O. M.31 or M.53, Grade 60.

DESIGN STRESSES
f_y = 60,000 p.s.i.
f_c = 3,500 p.s.i.
n = 8.5

GENERAL NOTES

The cost of tie bars, expansion joint filler, sub-base, welded wire fabric and bituminous prime when required shall be considered as included in the unit cost of the Bridge Approach Pavement.

Preformed Expansion Joint Filler shall conform to Section 715 of the Standard Specifications.

Width of Bridge Approach Slab shall be determined before the reinforcement bars are fabricated.

The bituminous patch, when required, will be paid for in accordance with Section 620 of the Standard Specifications.

BRIDGE APPROACH PAVEMENT

Sheet 1 of 2

STANDARD 2382 - I

Illinois Department of Transportation

PASSED *Carl E. Hummer* Sept 4, 1979
Engineer of Bridge and Traffic Structures

APPROVED *Thomas A. Boyett* Sept 4, 1979
Engineer of Design

FOR INFORMATION ONLY

benesch

alfred benesch & company
Engineers - Surveyors - Planners
205 North Michigan Avenue, Suite 2400
Chicago, Illinois 60601
312-568-0450 Job No. 10032.13

SHEET NO. 13	F.A.I. RTE.	SECTION	COUNTY	TOTAL SHEETS	SHEET NO.
	94	1010.1-I-2	COOK	37	25
17 SHEETS	CONTRACT NO. 60J30				
FED. ROAD DIST. NO.		ILLINOIS	FED. AID PROJECT		

EXISTING PLAN INFORMATION 2 OF 6
STRUCTURE NO. 016-0536

03\22\2010 15:45:14 x:\10000s\10032\engineering_documents_contract-60J30\SN.016-0536.Wilow.Rd\0536-60J30-013-Existplan-02.dgn