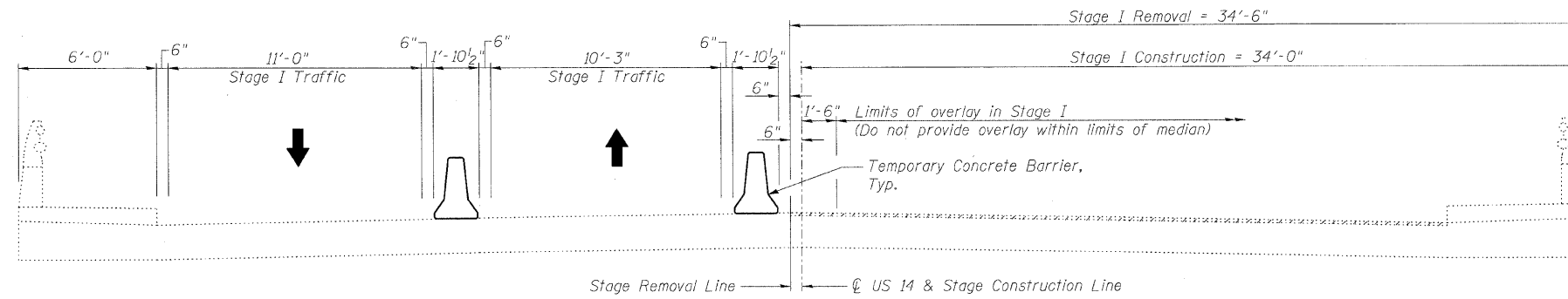
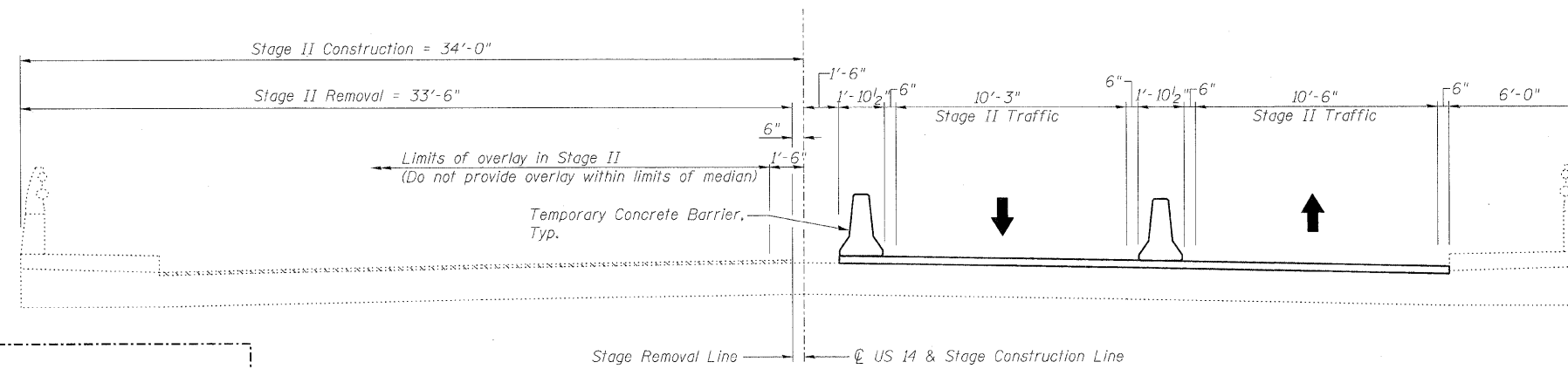


STATE OF ILLINOIS  
DEPARTMENT OF TRANSPORTATION



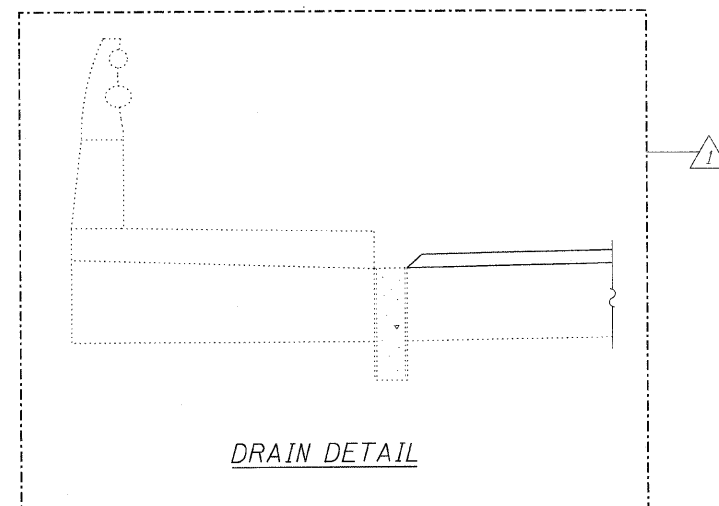
STAGE I REMOVAL & CONSTRUCTION

(Looking East)



STAGE II REMOVAL & CONSTRUCTION


(Looking East)



Note:

1. Existing median to be removed pre-stage, along with Full Depth Deck Repair below median.
2. New median to be provided in Stage III.
3. See Roadway plans for pre-stage and Stage III Construction.

STAGE CONSTRUCTION DETAILS  
STRUCTURE NO. 016-1033

 <b>LIN ENGINEERING, LTD.</b> Consulting Engineers Chatham, Illinois	SHEET NO. 2	F.A.U. RTE.	SECTION	COUNTY	TOTAL SHEETS	SHEET NO.	
	5 SHEETS	1324	3014-1	COOK	19	10	
		FED. ROAD DIST. NO. _ ILLINOIS FED. AID PROJECT				CONTRACT NO. 60J40	