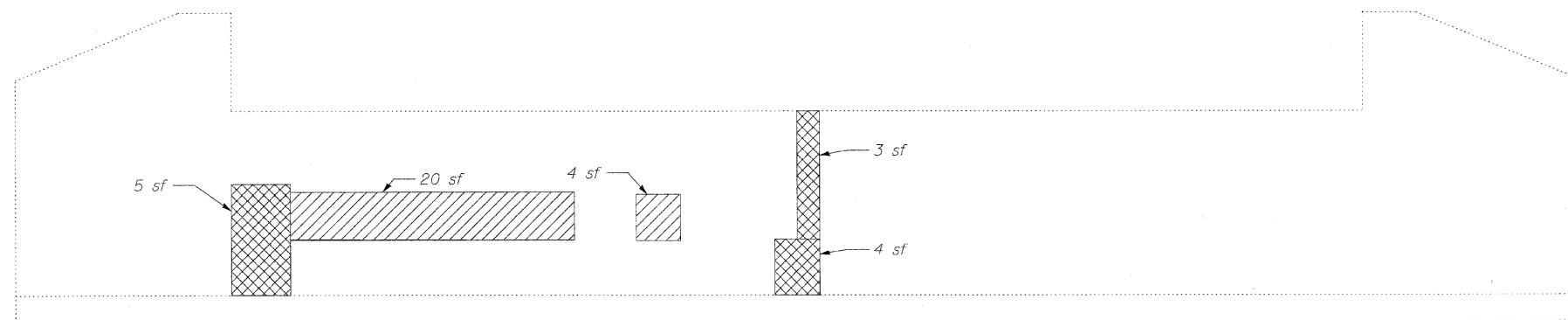
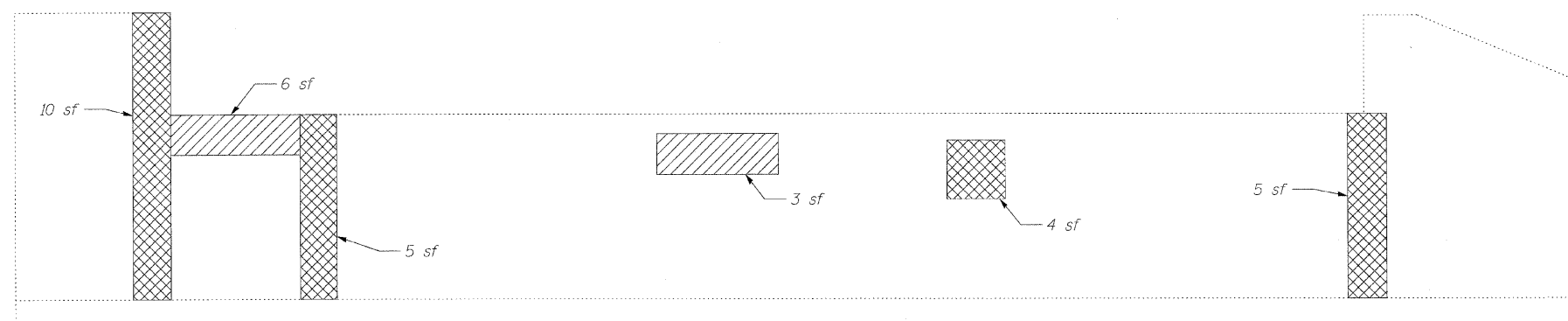


STATE OF ILLINOIS
DEPARTMENT OF TRANSPORTATION



WEST ABUTMENT
(Looking West)




EAST ABUTMENT
(Looking East)


BILL OF MATERIAL

ITEM	UNIT	TOTAL
Structural Repair of Concrete (Depth Equal to or Less Than 5 in.)	Sq. Ft.	38
Structural Repair of Concrete (Depth Greater Than 5 in.)	Sq. Ft.	42

Repair of the existing abutments shall include but may not be limited to the areas shown. The actual areas to be repaired will be determined by the Engineer at the time of construction.


LEGEND

 Indicates Structural Repair of Concrete
(Depth Equal to or Less Than 5 in.)

 Indicates Structural Repair of Concrete
(Depth Greater Than 5 in.)

sf Square Feet

ABUTMENT REPAIR
STRUCTURE NO. 016-1033

 LIN ENGINEERING, LTD. Consulting Engineers Chatham, Illinois	SHEET NO. 5	F.A.U. RTE.	SECTION	COUNTY	TOTAL SHEETS	SHEET NO.
	5 SHEETS	1324	3014-1	COOK	19	13
		CONTRACT NO. 60J40				
		FED. ROAD DIST. NO. ILLINOIS FED. AID PROJECT				