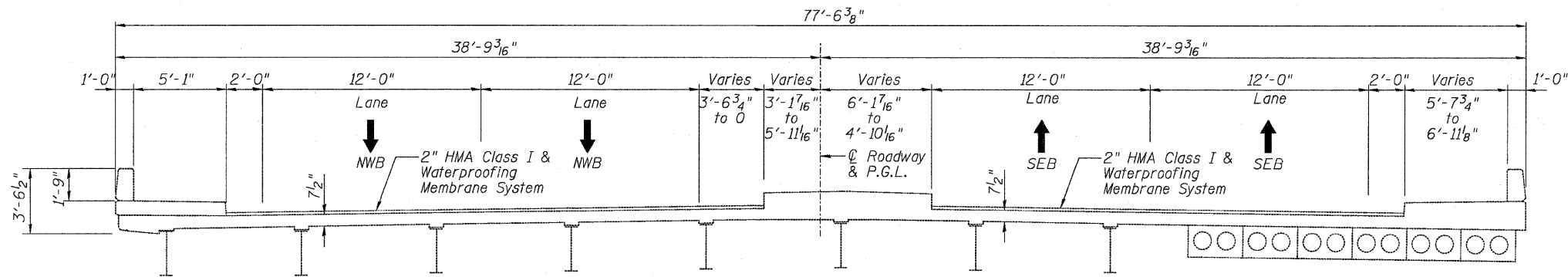
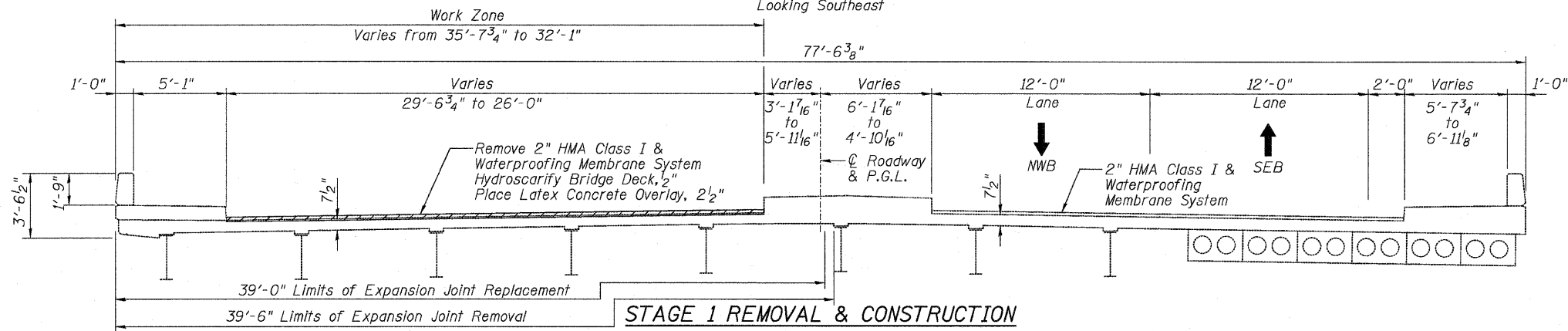


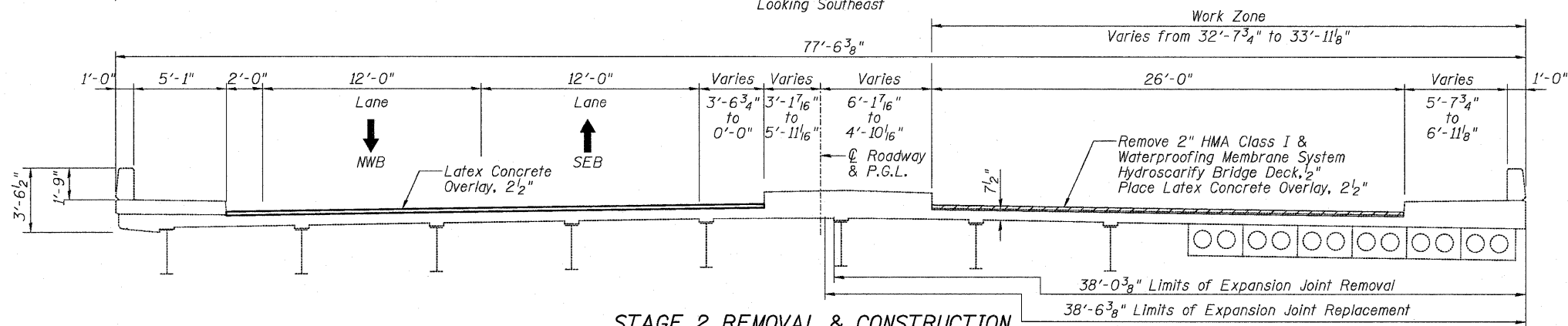
STATE OF ILLINOIS
DEPARTMENT OF TRANSPORTATION



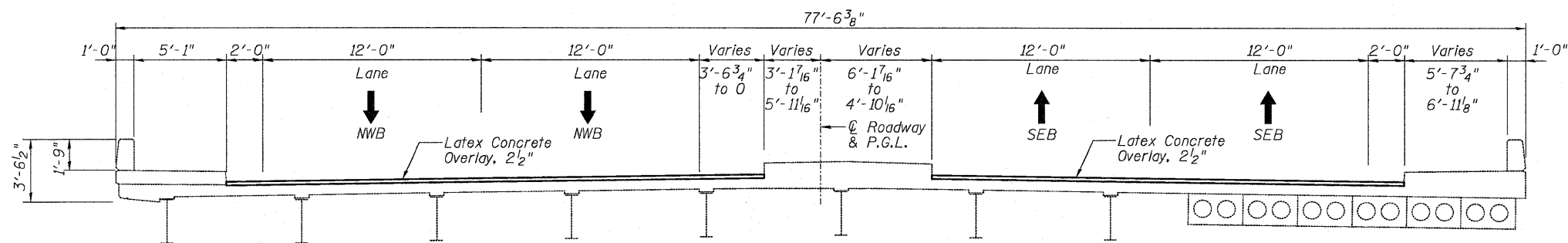
EXISTING
Looking Southeast



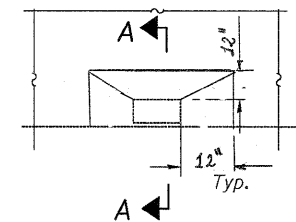
STAGE 1 REMOVAL & CONSTRUCTION
Looking Southeast



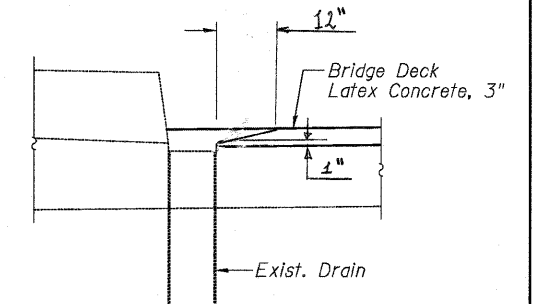
STAGE 2 REMOVAL & CONSTRUCTION
Looking Southeast



FINAL
Looking Southeast




DRAIN PLAN



SECTION A-A

LEGEND:

 2" HMA Overlay and W.P.M. Removal & Bridge Deck Hydroscarification, 1/2"

DESIGNED	JPM
CHECKED	TG
DRAWN	MPS
CHECKED	JPM, TG



188 S. WACKER DRIVE SUITE 700 - CHICAGO, IL 60606 - P.312-606-8918 F.312-606-8415

STAGE CONSTRUCTION DETAILS
STRUCTURE NO. 016-0928

SHEET NO. S2	F.A.P. RTE.	SECTION	COUNTY	TOTAL SHEETS	SHEET NO.
	376	2009-1161	COOK	23	9
S11 SHEETS		CONTRACT NO. 60J41			
ILLINOIS FED. AID PROJECT					