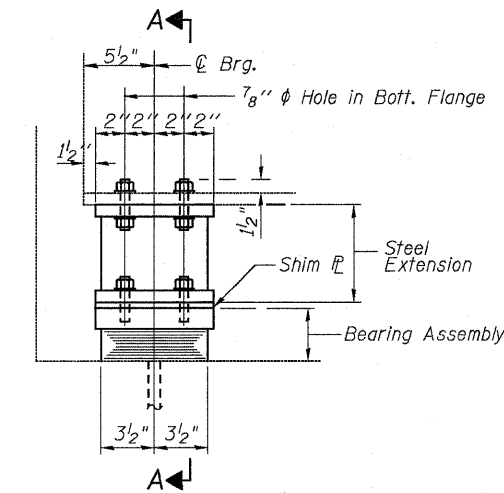
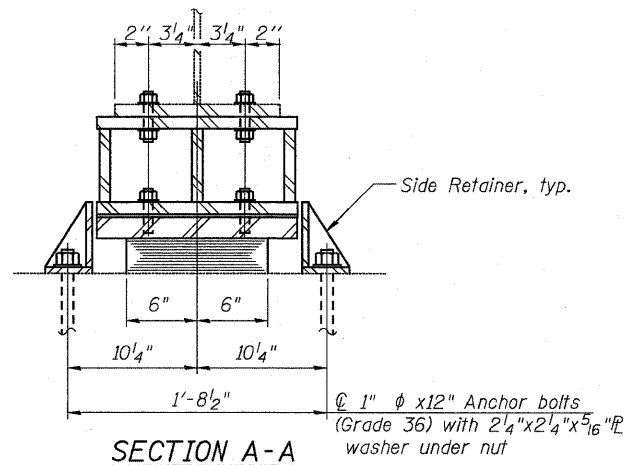


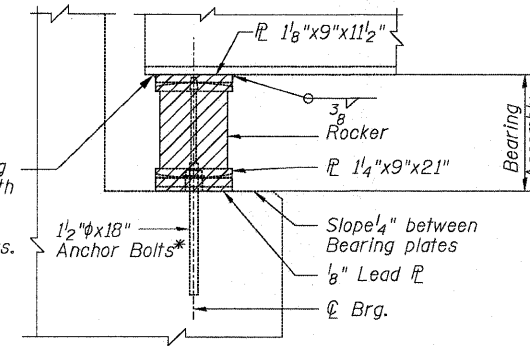
STATE OF ILLINOIS
DEPARTMENT OF TRANSPORTATION



ELEVATION AT ABUT.

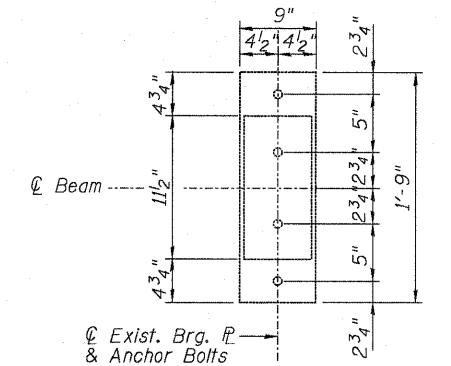


SECTION A-A



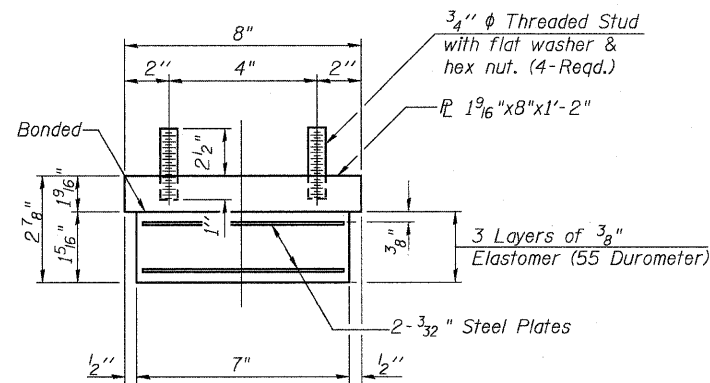
SECTION A-A

Remove and replace all existing bearing assembly at the West and East Abutments with Elastomeric Bearing Assembly, Type I.



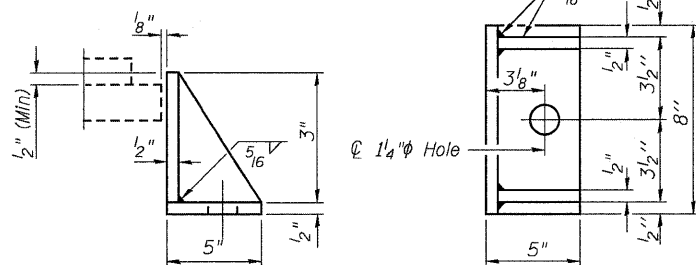
EXISTING BEARING PLAN

TYPE I ELASTOMERIC EXP. BRG.



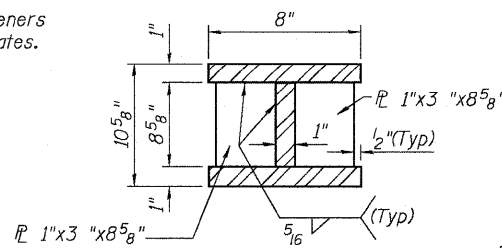
BEARING ASSEMBLY

Note:
Shim plates shall not be placed under Bearing Assembly.

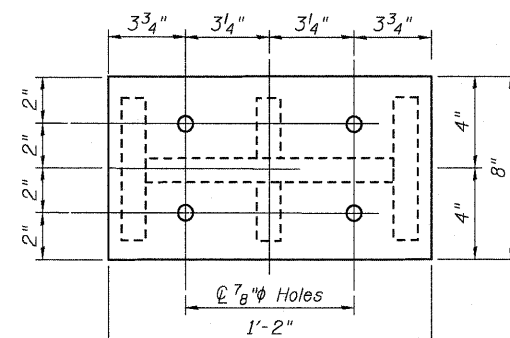


SIDE RETAINER

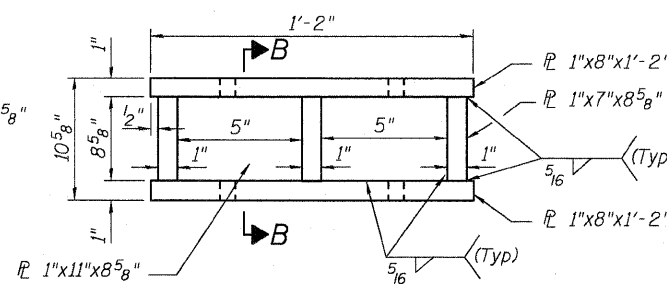
Equivalent rolled angle with stiffeners will be allowed in lieu of welded plates.



SECTION B-B



PLAN STEEL EXTENSION



ELEVATION STEEL EXTENSION

Notes:

Anchor bolts shall be ASTM F1554 all-thread (or an Engineer-approved alternate material) of the grade(s) and diameter(s) specified. ASTM A307 Grade C anchor bolts may be used in lieu of ASTM F1554 Grade 36 (Fy=36ksi). The corresponding specified grade of AASHTO M314 anchor bolts may be used in lieu of ASTM F1554.

Drilled and set anchor bolts shall be installed according to Article 521.06 of the Standard Specifications.

Two 1/8" in. adjusting shims shall be provided for each bearing in addition to all other plates or shims and placed as shown on bearing details.

The contractor is to verify the existing dimensions prior to fabricating the steel extensions. It is intended to keep the existing beams at their current elevations.

Steel extensions, Fasteners and other steel member required for the bearing assembly shall be included in the cost of Furnishing & Erecting Structural Steel.

Fasteners shall be AASHTO M164 Type I, mechanically galvanized bolts.

INTERIOR GIRDER REACTION TABLE
(Taken from 1981 existing plans)

	ABUT
R DL (K)	20.88
R LL (K)	32.74
Imp (K)	9.82
R Total (K)	63.44

Min. Jack Capacity = 50 Tons

LEGEND:

Indicates Bearing Removal

BILL OF MATERIAL

Item	Unit	Total
Elastomeric Bearing Assembly Type I	Each	16
Anchor Bolts 1"	Each	32
Jack and Remove Existing Bearings	Each	16

ELASTOMERIC BEARING DETAILS
STRUCTURE NO. 016-0928

DESIGNED JPM
CHECKED TG
DRAWN MPS
CHECKED JPM, TG



100 S. WACKER DRIVE, SUITE 700, CHICAGO, IL 60606, P:312-686-9918 F:312-686-9415

SHEET NO. 510	F.A.P. RTE. 376	SECTION 2009-1161	COUNTY COOK	TOTAL SHEETS 23	SHEET NO. 17
S11 SHEETS			CONTRACT NO. 60J41		
ILLINOIS FED. AID PROJECT					