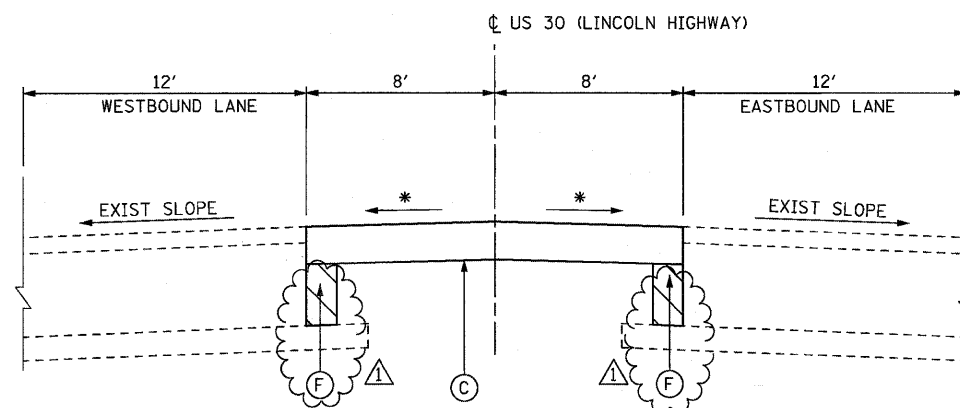
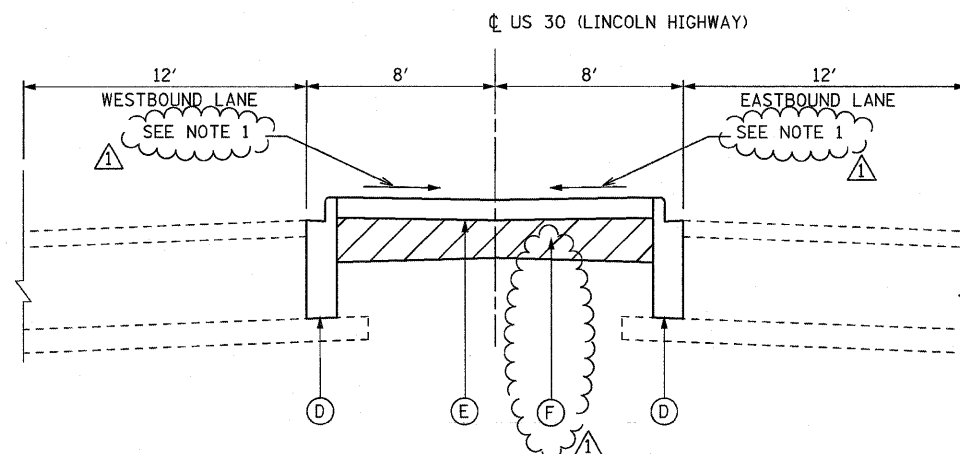


EXISTING TYPICAL SECTION
US 30 (LINCOLN HIGHWAY)



PROPOSED TYPICAL SECTION
TEMPORARY PAVEMENT
FOR MAINTENANCE OF TRAFFIC
US 30 (LINCOLN HIGHWAY)

* MATCH EXISTING CROSS-SLOPE OF ADJACENT
LANE OR AS DIRECTED BY THE ENGINEER



PROPOSED TYPICAL SECTION
US 30 (LINCOLN HIGHWAY)

LEGEND

- ① EXISTING HMA SURFACING 4-1/2" +/-
- ② EXISTING CONCRETE BASE COURSE, 10"
- ③ EXISTING STABILIZED SUB-BASE, 4"
- ④ EXISTING COMB. CONC. C&G TYPE B-9.12
- ⑤ EXISTING CONCRETE MEDIAN, 4"

- Ⓐ COMBINATION CURB & GUTTER REMOVAL
- Ⓑ CONCRETE MEDIAN SURFACE REMOVAL
- Ⓒ TEMPORARY PAVEMENT 10" (SEE NOTE 2) ⚠
- Ⓓ COMBINATION CONCRETE CURB & GUTTER, TYPE B-9.12
- Ⓔ CONCRETE MEDIAN SURFACE, 4"
- Ⓕ EARTH EXCAVATION ⚠

NOTES

1. THE CONTRACTOR SHALL SLOPE THE CONCRETE MEDIAN SURFACE BOTH IN CROSS-SECTION AND LONGITUDINALLY IN ORDER TO CREATE POSITIVE FLOW PATTERNS TO THE INLETS IN THE MEDIAN AND TO AVOID PONDING OF WATER IN THE MEDIAN

2. THE TEMPORARY PAVEMENT 10" WILL BE COMPRISED OF:
 8 1/2" HOT-MIX ASPHALT BINDER IL-19MM &
 1 1/2" HOT MIX ASPHALT SURFACE COURSE,
 MIX "D", N50 (IL-9.5MM)

FILE NAME =
FILEL



DESIGNED TWL
 DRAWN JLS
 CHECKED SF
 DATE 1/29/2010

REVISED - 2/3/2010
 REVISED - 2/9/2010
 REVISED - 2/26/2010
 REVISED -

STATE OF ILLINOIS
 DEPARTMENT OF TRANSPORTATION

TYPICAL SECTIONS
 US RTE 30 (LINCOLN HWY)

SCALE: SHEET NO. OF SHEETS STA. TO STA.

F.A.P. RTE.	SECTION	COUNTY	TOTAL SHEETS	SHEET NO.
353	23R B-1	COOK	20	4
CONTRACT NO. 60J43			ILLINOIS FED. AID PROJECT	