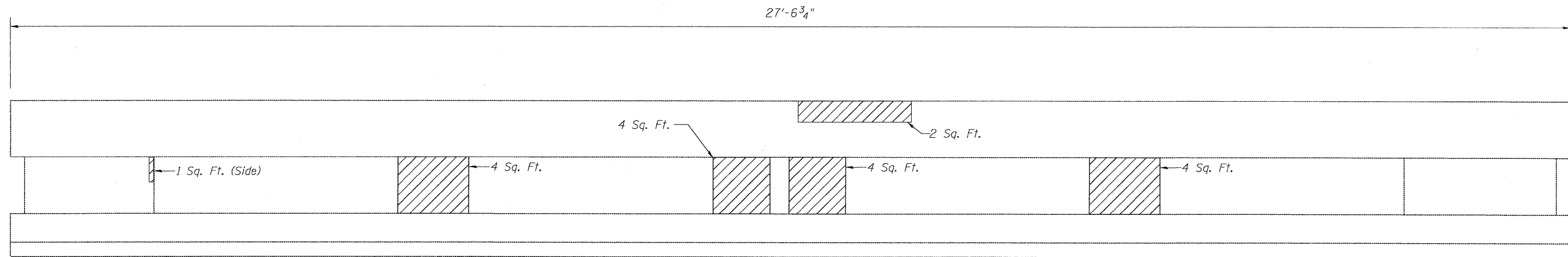
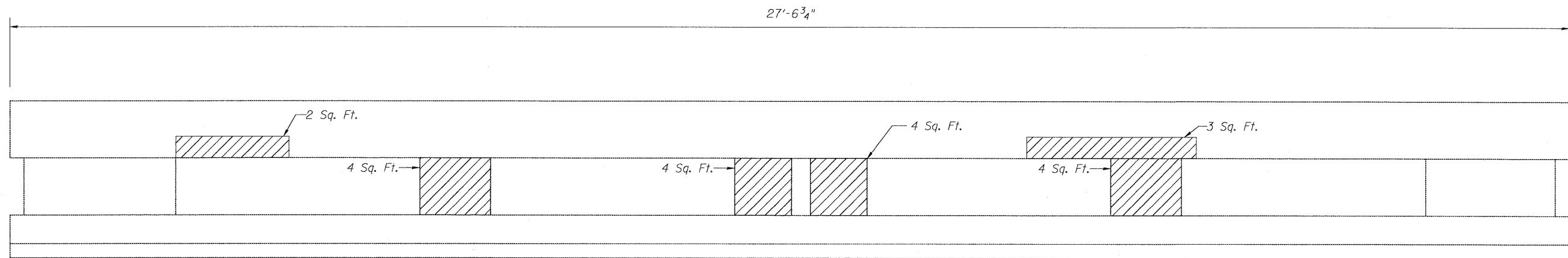


STATE OF ILLINOIS  
DEPARTMENT OF TRANSPORTATION



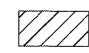
NORTH RAIL INSIDE ELEVATION



SOUTH RAIL INSIDE ELEVATION

Note:  
Repair of the existing parapet shall include but may not be limited to the areas shown. The actual areas to be repaired will be determined by the Engineer at the time of construction.

LEGEND:

 Structural Repair of Concrete  
(Depth equal to or less than 5 inches)

BILL OF MATERIAL

ITEM	UNIT	QUANTITY
Structural Repair of Concrete (Depth equal to or less than 5 inches)	Sq. Ft.	40

PARAPET REPAIR DETAILS  
STRUCTURE NO. 016-0286

DESIGNED	JPM
CHECKED	TG
DRAWN	MPS
CHECKED	JPM, TG



100 S. WACKER DRIVE SUITE 700, CHICAGO IL 60606 . P:312-686-0910 F:312-686-0415

SHEET NO. 55	F.A.P. RTE.	SECTION	COUNTY	TOTAL SHEETS	SHEET NO.
	353	23 R-B-I	COOK	20	13
S7 SHEETS			CONTRACT NO. 60J43		
ILLINOIS FED. AID PROJECT					