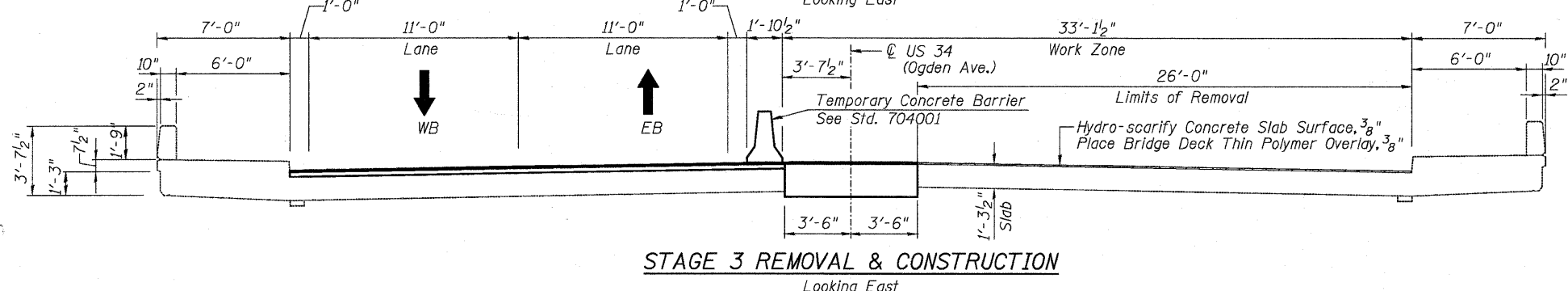
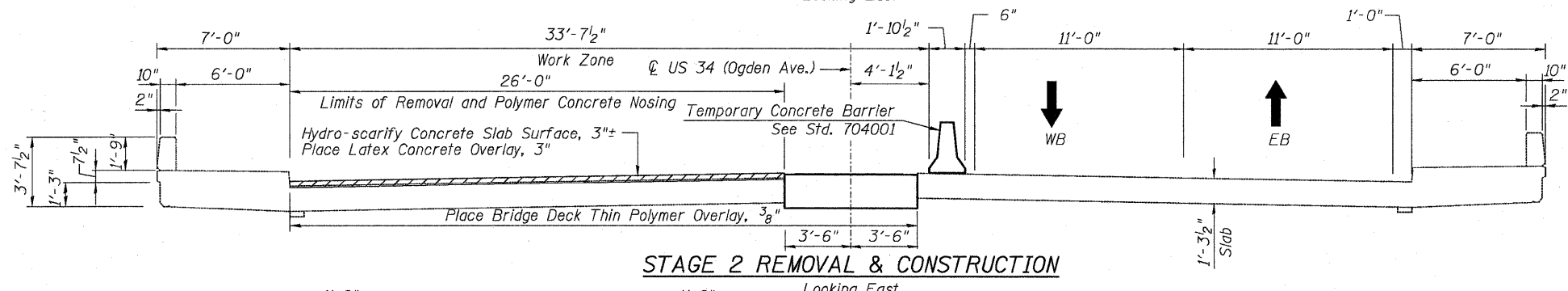
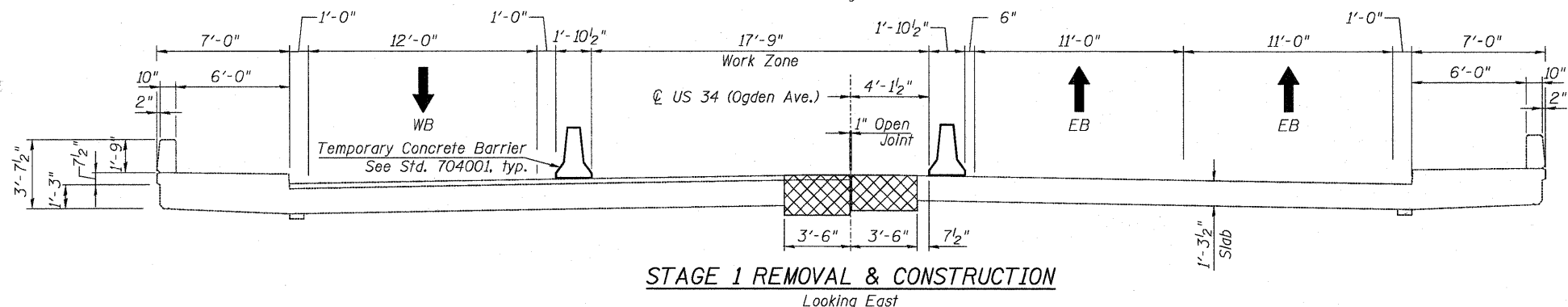
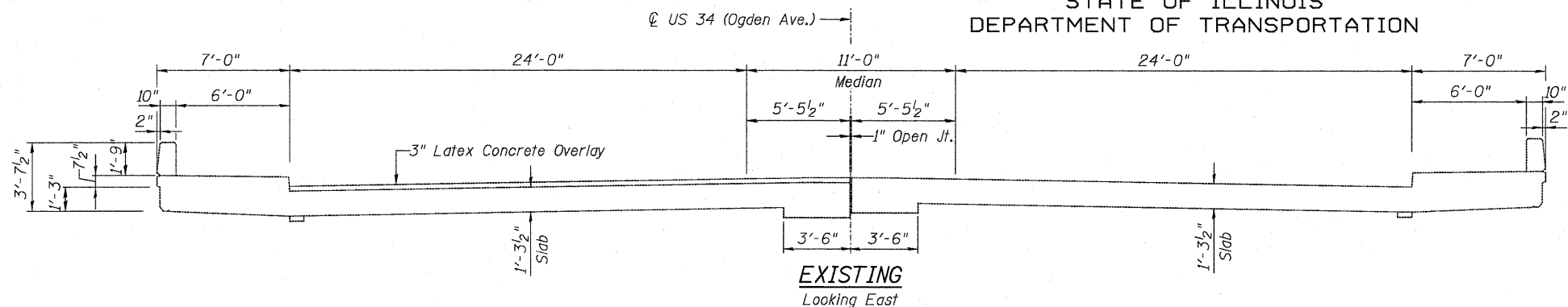


STATE OF ILLINOIS
DEPARTMENT OF TRANSPORTATION



LEGEND:

- Bridge Deck Hydro-Scarification 3"±
- Bridge Deck Hydro-scarification 3/8"
- Concrete Removal

STAGE CONSTRUCTION DETAILS
STRUCTURE NO. 022-0148

DESIGNED	JPM
CHECKED	TG
DRAWN	MPS
CHECKED	JPM, TG



100 S. WACKER DRIVE SUITE 700 • CHICAGO IL 60606 • P.312-686-8910 F.312-686-8415

FINAL
Looking East

SHEET NO. S2	F.A.P RTE.	SECTION	COUNTY	TOTAL SHEETS	SHEET NO.
	311	10 B-I	DUPAGE	20	10
S7 SHEETS	CONTRACT NO. 60J45			ILLINOIS FED. AID PROJECT	