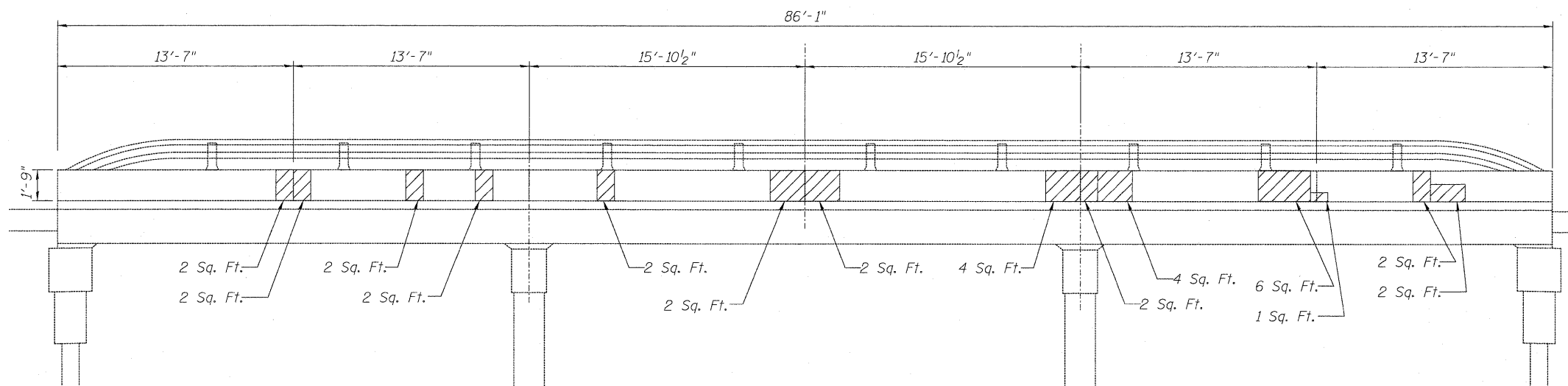


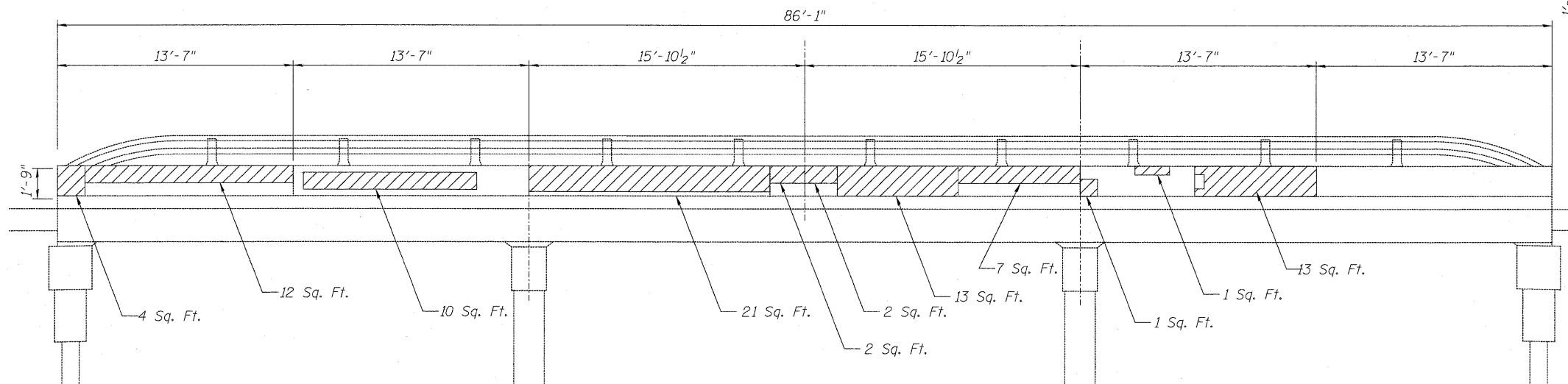
STATE OF ILLINOIS
DEPARTMENT OF TRANSPORTATION



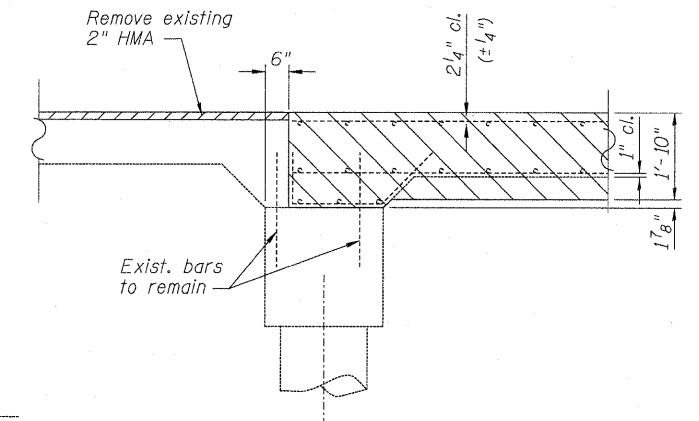
NORTH WALL INSIDE ELEVATION

LEGEND

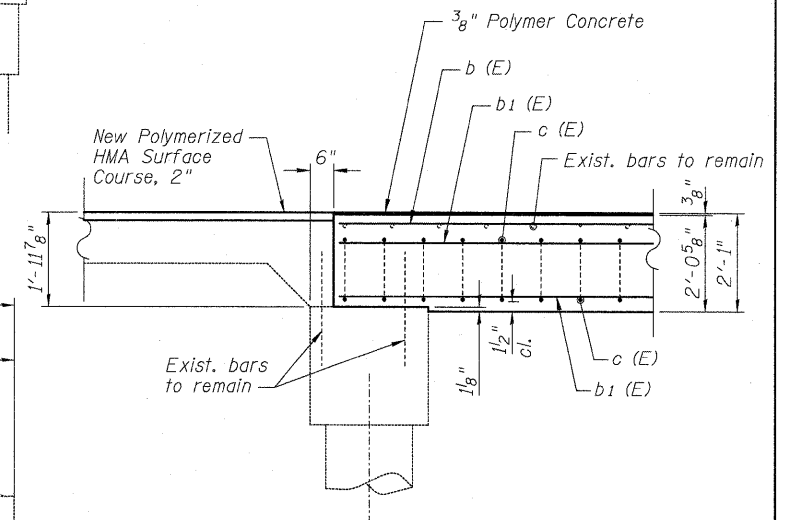
Structural Repair of Concrete
(Depth equal to or less than 5 inches)



SOUTH WALL INSIDE ELEVATION



**SECTION B-B
EXISTING**

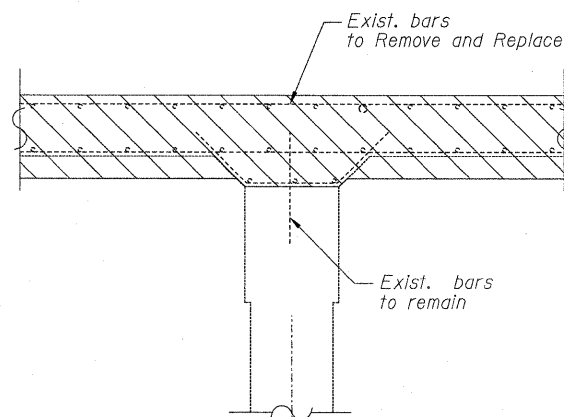


**SECTION B-B
PROPOSED**

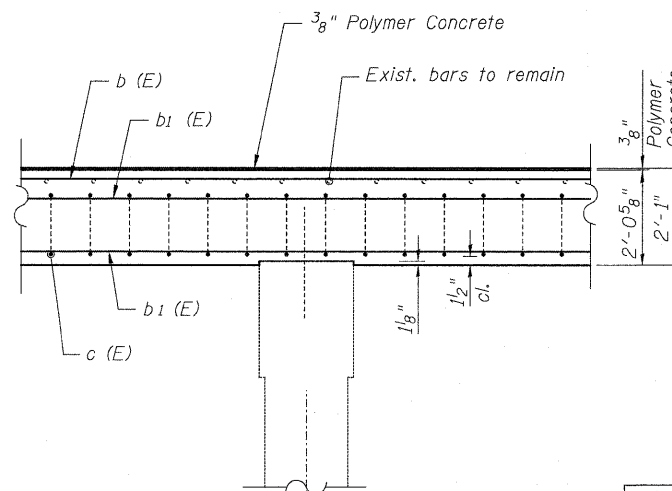
- Notes:
1. Repair of the existing parapet shall include but may not be limited to the areas shown. The actual areas to be repaired will be determined by the Engineer at the time of construction.
 2. Exist. bars to remain shall be cleaned, straightened and incorporated into new concrete.
 3. Work this Sheet with Sheet S7.
 4. Exposed and rusty rebars in the spalled areas parapets shall be cleaned and painted prior to patching.

BILL OF MATERIAL

ITEM	UNIT	QUANTITY
Structural Repair of Concrete (Depth equal to or less than 5 inches)	Sq.Ft.	121



**SECTION C-C
EXISTING**



**SECTION C-C
PROPOSED**

**PARAPET REPAIR & MEDIAN SECTION DETAILS
STRUCTURE NO. 022-0148**

DESIGNED JPM
CHECKED TG
DRAWN MPS
CHECKED JPM, TG



SHEET NO.	F.A.P R.T.E.	SECTION	COUNTY	TOTAL SHEETS	SHEET NO.
S5	311	10 B-I	DUPAGE	20	13
S7 SHEETS				CONTRACT NO. 60J45	
ILLINOIS FED. AID PROJECT					