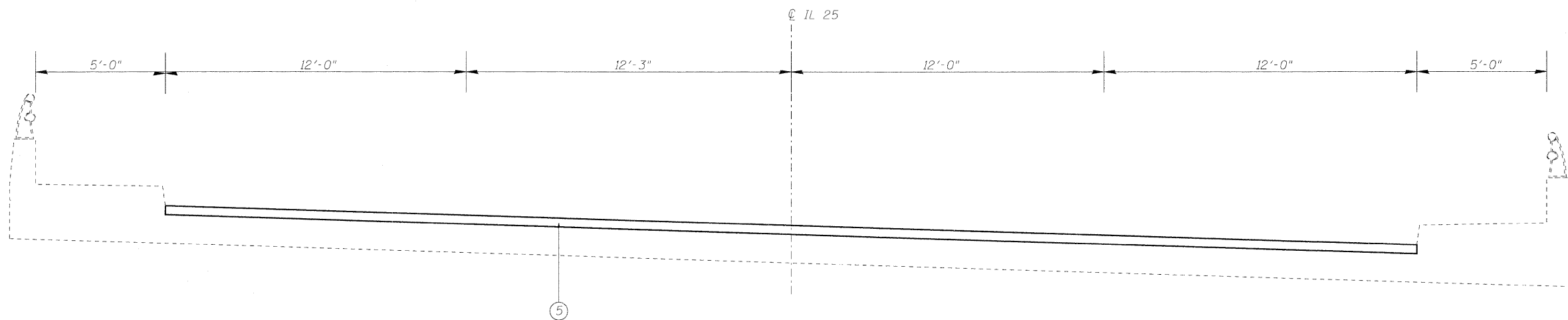


LEGEND

- ① EXISTING HMA OVERLAY
- ② EXISTING BRIDGE DECK HYDRO-SCARIFICATION, $\frac{3}{8}$ "
- ③ EXISTING PARAPET WALLS
- ④ EXISTING PCC SIDEWALK
- ⑤ PROPOSED BRIDGE DECK THIN POLYMER OVERLAY, $\frac{3}{8}$ "



DESIGNED - MJY	REVISED -
DRAWN - ST, TSC	REVISED -
CHECKED - MJY, DC	REVISED -
DATE - 1/29/2010	REVISED -

F.A.P. RTE.	SECTION	COUNTY	TOTAL SHEETS	SHEET NO.
360	49 B-1	KANE	18	4
D-91-237-10			CONTRACT NO. 60J47	
FED. ROAD DIST. NO.		ILLINOIS FED. AID PROJECT		