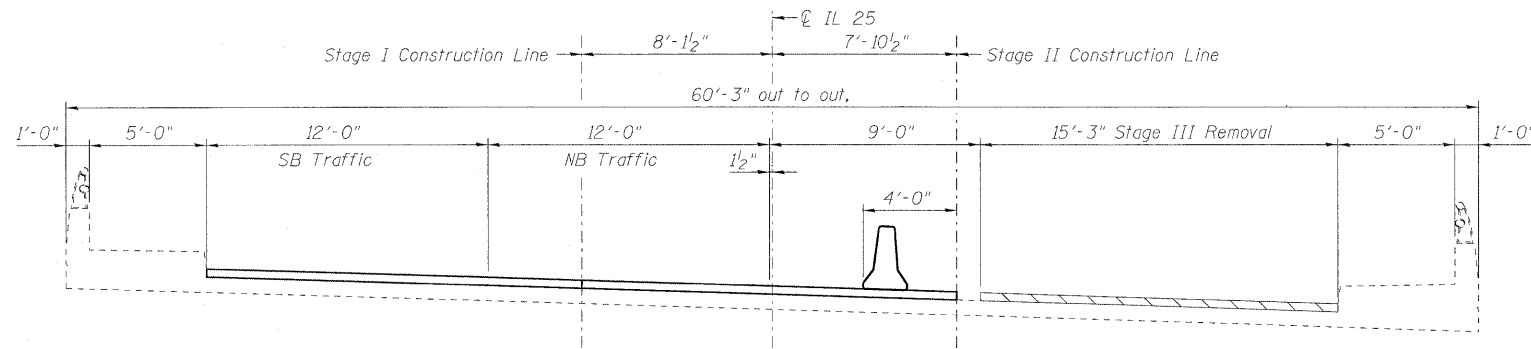
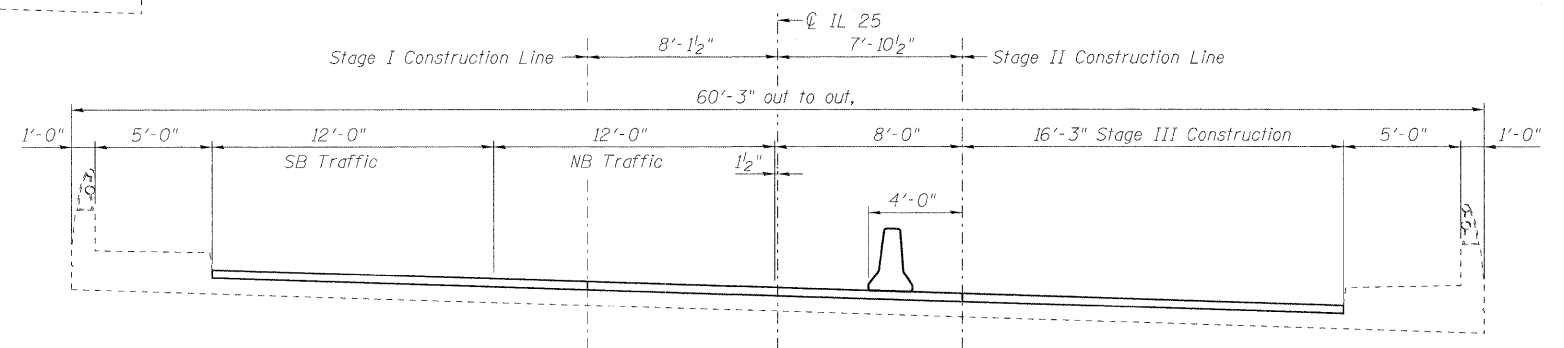


STATE OF ILLINOIS
DEPARTMENT OF TRANSPORTATION



STAGE III REMOVAL



STAGE III CONSTRUCTION

NOTES

All Cross Sections looking North.
Hatched area indicates Removal of Concrete Bridge Deck Scarification.
For quantity of Temporary Concrete Barrier see Roadway Plans.
For Temporary Concrete Barrier details see Sheet 4 of 4.

DESIGNED -	SLV
CHECKED -	DJB
DRAWN -	SLV
CHECKED -	DJB

LONGCO, INC.
CONSULTING ENGINEERS
1560 WALL ST., SUITE 222
NAPERVILLE, ILLINOIS 60563 PH: (630) 577-9100

(Sheet 2 of 2)
STAGE CONSTRUCTION DETAILS
STRUCTURE NO. 045-5000

SHEET NO. 3 OF 4 SHEETS	F.A.P. RTE.	SECTION	COUNTY	TOTAL SHEETS	SHEET NO.
	360	49 B-I	KANE	18	12
D-91-229-10			CONTRACT NO. 60J47		
FED. ROAD DIST. NO. - ILLINOIS FED. AID PROJECT					