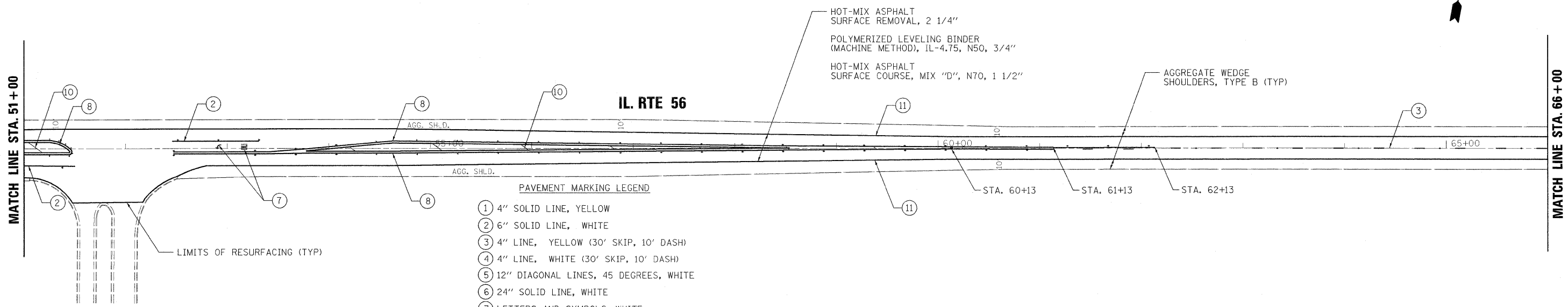


SYMBOLS LEGEND

- ◆ RAISED REFLECTIVE PAVEMENT MARKER (TWO - WAY AMBER)
- ◆ RAISED REFLECTIVE PAVEMENT MARKER (ONE - WAY AMBER)
- ◆ RAISED REFLECTIVE PAVEMENT MARKER (ONE - WAY CRYSTAL)



PAVEMENT MARKING LEGEND

- ① 4" SOLID LINE, YELLOW
- ② 6" SOLID LINE, WHITE
- ③ 4" LINE, YELLOW (30' SKIP, 10' DASH)
- ④ 4" LINE, WHITE (30' SKIP, 10' DASH)
- ⑤ 12" DIAGONAL LINES, 45 DEGREES, WHITE
- ⑥ 24" SOLID LINE, WHITE
- ⑦ LETTERS AND SYMBOLS, WHITE
- ⑧ 4" DOUBLE CENTER LINE, YELLOW
- ⑨ 8" SOLID LINE, WHITE
- ⑩ 12" DIAGONAL LINES, 45 DEGREES @ 75' O.C., YELLOW
- ⑪ 4" SOLID LINE, WHITE

*ALL PAVEMENT MARKING SHALL BE THERMOPLASTIC

PLOT DATE = 2/5/2010
 PLOT SCALE = 1"=50'
 USER NAME = dreedas
 MODEL = DeFault

rjngroup
 Excellence through Ownership

200 West Front Street
 Wheaton, IL 60187

DESIGNED - MAK	REVISED - 2/3/10 IDOT COMMENTS
DRAWN - DJW	REVISED -
CHECKED - MTH	REVISED -
DATE - 1/29/10	REVISED -

**STATE OF ILLINOIS
 DEPARTMENT OF TRANSPORTATION**

IL RTE 56 (BUTTERFIELD RD)

**ROADWAY AND
 PAVEMENT MARKING PLAN**

SCALE: 1"=50'

SHEET NO. 6 OF 20 SHEETS

STA. 36+00 TO STA. 66+00

F.A.P. RTE.	SECTION	COUNTY	TOTAL SHEETS	SHEET NO.
365	59 RS-3	DUPAGE	20	6
CONTRACT NO. 60J49				
FED. ROAD DIST. NO. 1 ILLINOIS FED. AID PROJECT				