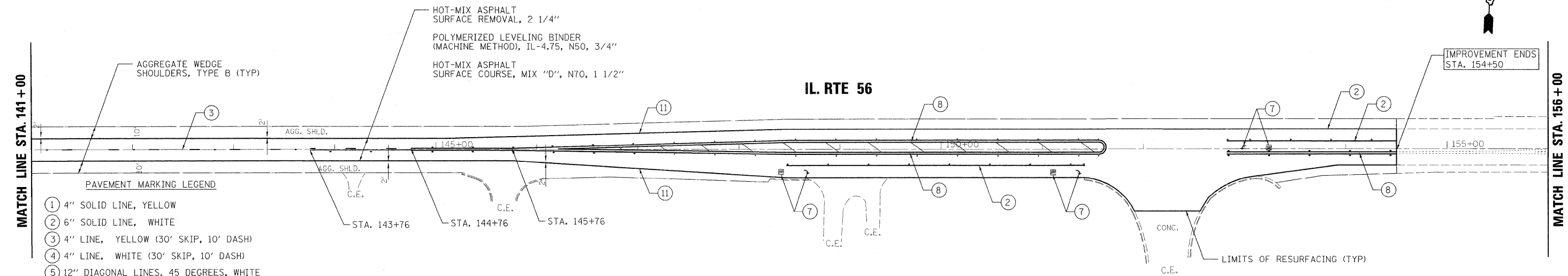


SYMBOLS LEGEND

- RAISED REFLECTIVE PAVEMENT MARKER (TWO - WAY AMBER)
- RAISED REFLECTIVE PAVEMENT MARKER (ONE - WAY AMBER)
- RAISED REFLECTIVE PAVEMENT MARKER (ONE - WAY CRYSTAL)



PAVEMENT MARKING LEGEND

- ① 4" SOLID LINE, YELLOW
- ② 6" SOLID LINE, WHITE
- ③ 4" LINE, YELLOW (30' SKIP, 10' DASH)
- ④ 4" LINE, WHITE (30' SKIP, 10' DASH)
- ⑤ 12" DIAGONAL LINES, 45 DEGREES, WHITE
- ⑥ 24" SOLID LINE, WHITE
- ⑦ LETTERS AND SYMBOLS, WHITE
- ⑧ 4" DOUBLE CENTER LINE, YELLOW
- ⑨ 8" SOLID LINE, WHITE
- ⑩ 12" DIAGONAL LINES, 45 DEGREES @ 75' O.C., YELLOW
- ⑪ 4" SOLID LINE, WHITE

• ALL PAVEMENT MARKING SHALL BE THERMOPLASTIC

PLOT DATE = 2/5/2010
 PLOT SCALE = 1"=50'
 USER NAME = dhwadax
 MODEL = Defaul1



200 West Front Street
Wheaton, IL 60187

DESIGNED - MAK	REVISED Δ 2/3/10 IDOT COMMENTS
DRAWN - DJW	REVISED - ---
CHECKED - MTH	REVISED - ---
DATE - 1/29/10	REVISED - ---

**STATE OF ILLINOIS
DEPARTMENT OF TRANSPORTATION**

IL RTE 56 (BUTTERFIELD RD)

**ROADWAY AND
PAVEMENT MARKING PLAN**

SCALE: 1"=50' SHEET NO. 9 OF 20 SHEETS STA. 126+00 TO STA. 156+00

F.A.P. RTE. 365	SECTION 59 RS-3	COUNTY DUPAGE	TOTAL SHEETS 20	SHEET NO. 9
CONTRACT NO. 60J49				FED. ROAD DIST. NO. 1 ILLINOIS FED. AID PROJECT