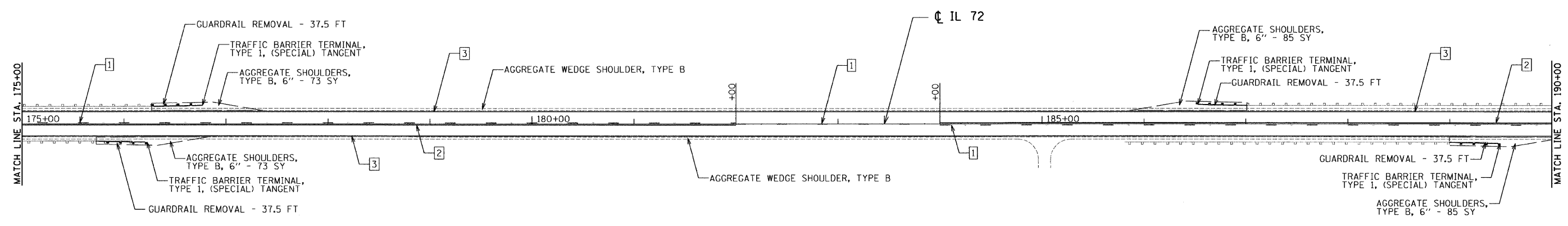


LEGEND

- 1 THERMOPLASTIC PAVEMENT MARKING - LINE 4" YELLOW 10' DASH, 30' SKIP W/ AMBER 2 WAY RPM'S (80' O.C.)
- 2 THERMOPLASTIC PAVEMENT MARKING - LINE 4" YELLOW
- 3 THERMOPLASTIC PAVEMENT MARKING - LINE 4" WHITE
- 4 THERMOPLASTIC PAVEMENT MARKING - LINE 24" WHITE



FILE NAME = \$FILEL\$	USER NAME = .USER.	DESIGNED - MW	REVISED - RS 02-09-2010	STATE OF ILLINOIS DEPARTMENT OF TRANSPORTATION	IL 72 - DeKALB COUNTY LINE TO FRENCH ROAD ROADWAY AND PAVEMENT MARKING PLANS	F.A.P. RTE. 557	SECTION 128 RS-7	COUNTY KANE	TOTAL SHEETS 15	SHEET NO. 7			
	PLOT SCALE = 50,0000' / IN.	DRAWN - EB	REVISED -			SCALE: 50		SHEET NO. 3 OF 4 SHEETS		STA. 160+00 TO STA. 190+00		CONTRACT NO. 60J56	
	PLOT DATE = 2/9/2010	CHECKED - RS	REVISED -			ILLINOIS FED. AID PROJECT							
	DATE - 01/15/2010	REVISOR -	REVISED -										