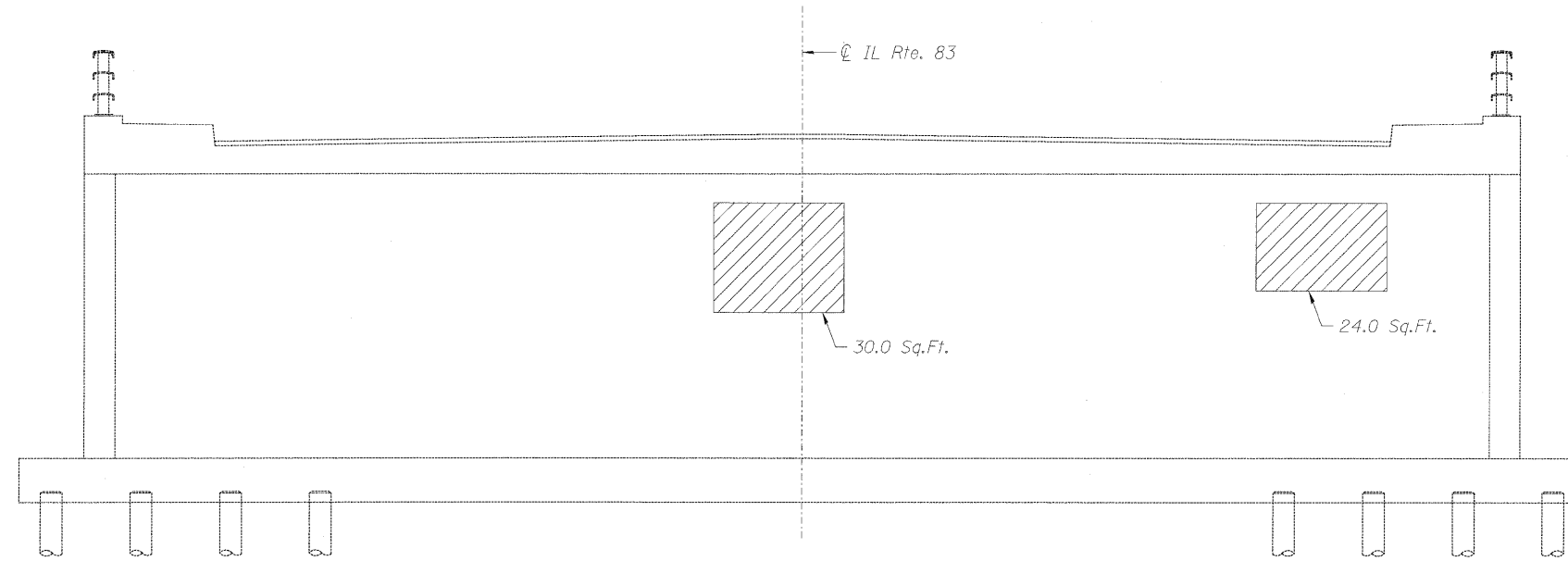
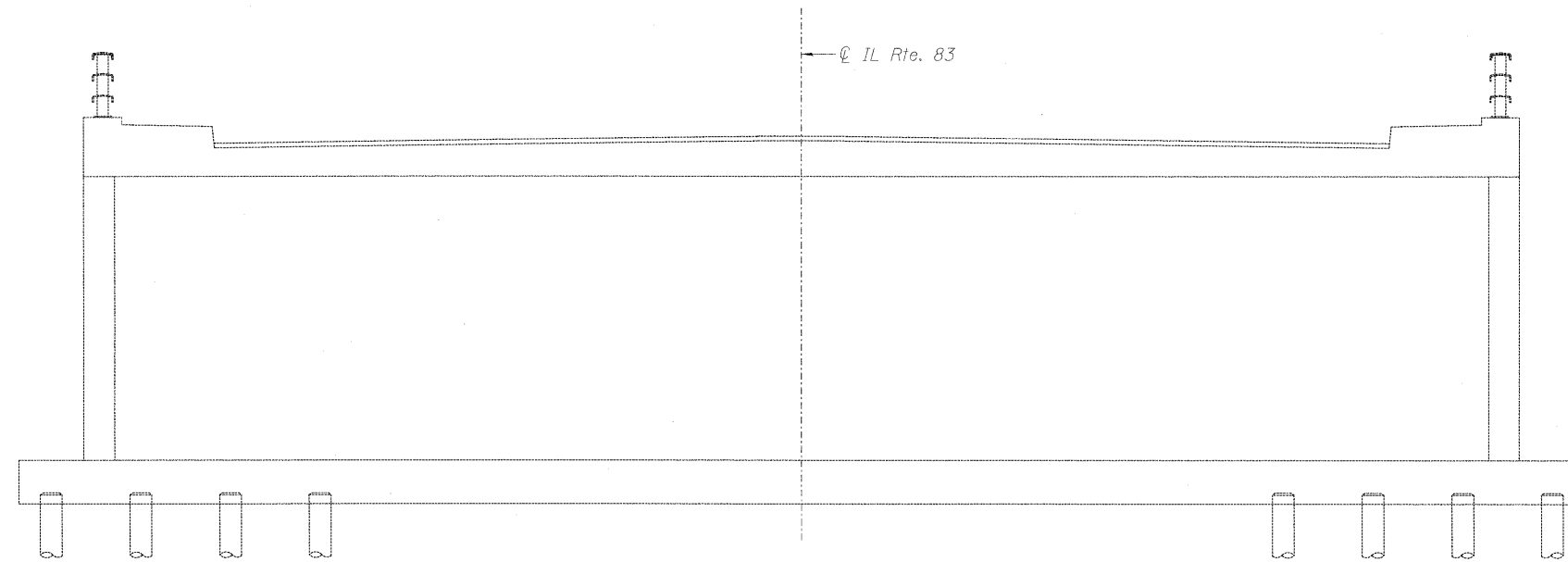


STATE OF ILLINOIS
DEPARTMENT OF TRANSPORTATION



NORTH ABUTMENT ELEVATION



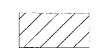
SOUTH ABUTMENT ELEVATION

BILL OF MATERIAL

ITEM	UNIT	QUANTITY
Structural Repair of Concrete (Depth equal or less than 5 inches)	Sq.Ft.	54

Note:
Repair of existing abutments shall include but may not be limited to the areas shown. The actual areas to be repaired will be determined by the Engineer at the time of construction.

LEGEND:

 Structural Repair of Concrete
(Depth equal or less than 5 inches)

ABUTMENT REPAIR DETAILS
STRUCTURE NO. 016-0558

DESIGNED	JPM
CHECKED	TG
DRAWN	MPS
CHECKED	JPM, TG

Primera
100 S. WACKER DRIVE SUITE 700 - CHICAGO IL 60605 - P:312 686 0910 F:312 686 0415

SHEET NO.	F.A.P. RTE.	SECTION	COUNTY	TOTAL SHEETS	SHEET NO.
S5	344	97 B-I-1	COOK	16	12
S5 SHEETS			CONTRACT NO. 60J60		
ILLINOIS FED. AID PROJECT					