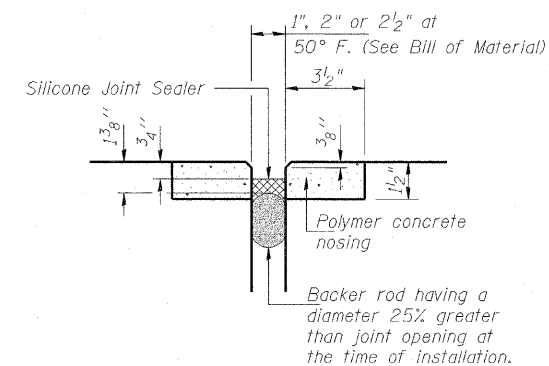
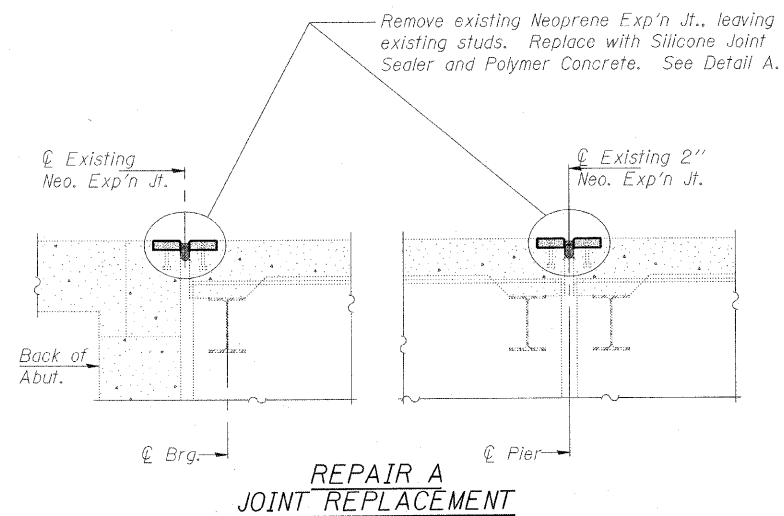
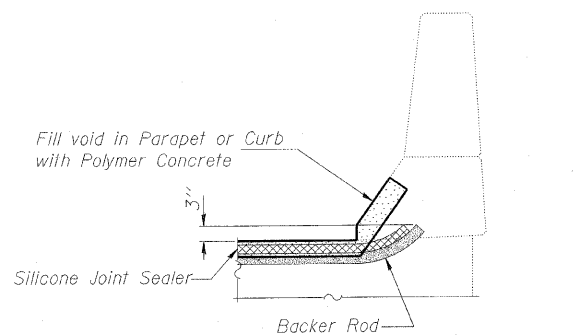


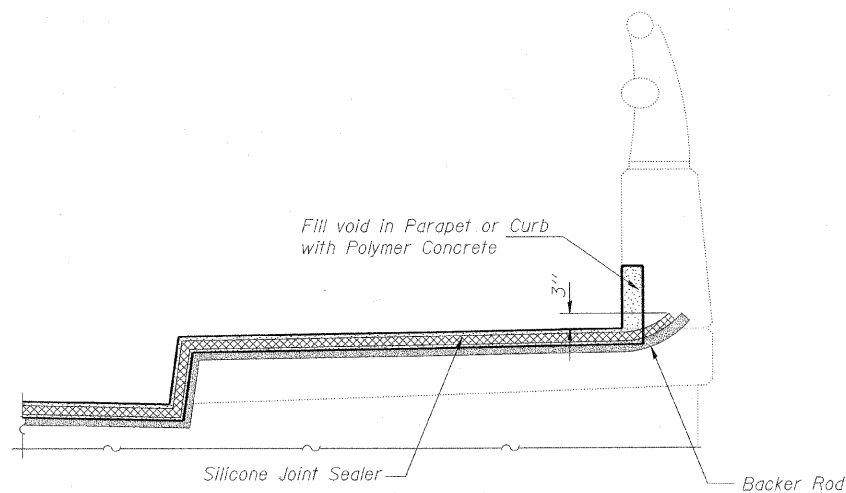
STATE OF ILLINOIS  
DEPARTMENT OF TRANSPORTATION



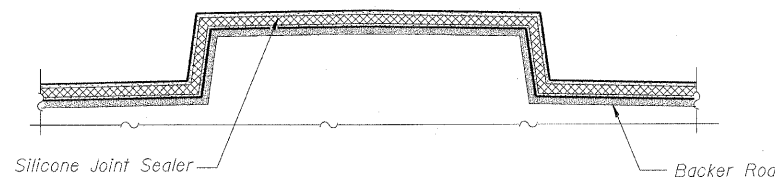
DETAIL A  
SILICONE JOINT SEALER DETAIL



TYPICAL END OF SEAL TREATMENT  
AT WEST PARAPET  
(Looking South)



TYPICAL END OF SEAL TREATMENT  
AT EAST PARAPET  
(Looking North)



TYPICAL SEAL TREATMENT  
AT MEDIAN  
(Looking North)

BILL OF MATERIAL

ITEM DESCRIPTION	UNIT	QUANTITY
Silicone Joint Sealer, 1" (At S. Abut., Pier 2, Pier 3 and N. Abut.)	Foot	254.4
Silicone Joint Sealer, 2" (At Pier 4)	Foot	63.6
Silicone Joint Sealer, 2 1/2" (At Pier 1)	Foot	63.6
Polymer Concrete	Cu. Ft.	27.8

SILICONE JOINT SEALER WITH  
POLYMER CONCRETE NOSING  
STRUCTURE NO. 016-2124

DESIGNED <i>JWK</i>	2010
CHECKED <i>JMH</i>	EXAMINED
DRAWN <i>DR</i>	ENGINEER OF STRUCTURAL SERVICES
CHECKED <i>JWK</i>	PASSED
	ENGINEER OF BRIDGES AND STRUCTURES

SHEET NO. S5 OF S6 SHEETS	F.A.U. RTE. 2729	SECTION 1617-I-1	COUNTY COOK	TOTAL SHEETS 13	SHEET NO. 9
	CONTRACT NO. 60J69				
ILLINOIS FED. AID PROJECT					