

**EXISTING TYPICAL CROSS SECTION  
GLENVIEW ROAD (US 41 TO RIDGE ROAD)**

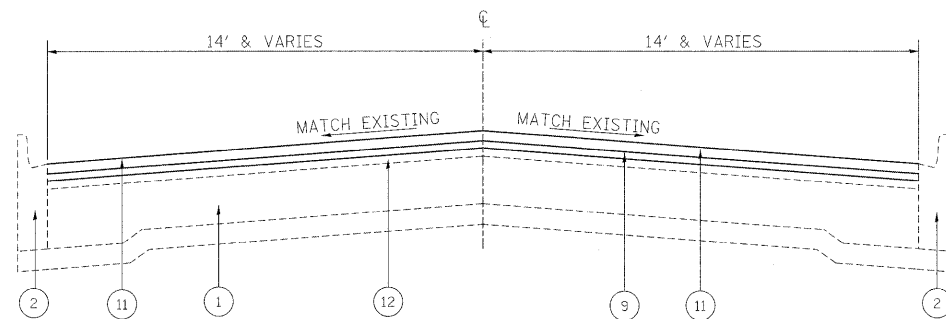
STA. 68+70 TO STA. 73+35

**CRAWFORD AVE. (GLENVIEW RD. TO OLD GLENVIEW RD.)**

STA. 5+75 TO STA. 14+93

**LEGEND**

1. EXISTING P.C.C PAVEMENT, ±10"
2. EXISTING COMB. CONCRETE CURB & GUTTER, B-6.12
3. EXISTING SUB-BASE GRANULAR MATERIAL, TYPE A, 4"
4. EXISTING HMA SHOULDER, ± 2'
5. EXISTING AGGREGATE SHOULDER
6. EXISTING HMA SURFACE COURSE ± 3"
7. PROP. P.C.C. SURFACE REMOVAL (VARIABLE DEPTH)
8. PROPOSED HMA SURFACE REMOVAL, 2 1/4"
9. PROPOSED POLYMERIZED LEVELING BINDER (MACHINE METHOD), IL-4.75, N50 (3/4")
10. PROPOSED POLYMERIZED LEVELING BINDER (MACHINE METHOD), IL-4.75, N50 (1")
11. PROPOSED POLYMERIZED HMA SURFACE COURSE, MIX "D", N70 (1 1/2 ")
12. EXISTING HMA SURFACE OVERLAY AFTER MILLING, ± 3/4"
13. PROPOSED AGGREGATE WEDGE SHOULDERS, TYPE B
14. PROPOSED GRADING AND SHAPING SHOULDERS



**PROPOSED TYPICAL CROSS SECTION  
GLENVIEW ROAD (US 41 TO RIDGE ROAD)**

STA. 68+70 TO STA. 73+35

**CRAWFORD AVE. (GLENVIEW RD. TO OLD GLENVIEW RD.)**

STA. 5+75 TO STA. 14+93

FILE NAME =	USER NAME = gulloumefp	DESIGNED -	REVISED -	<b>STATE OF ILLINOIS DEPARTMENT OF TRANSPORTATION</b>	<b>CRAWFORD AVE. AND GLEVIEW RD. TYPICAL SECTIONS</b>			F.A.U RTE.	SECTION	COUNTY	TOTAL SHEETS	SHEET NO.
c:\pw_work\pwork\gulloumefp\d017764\032210-shr-plan.dgn	DRAWN -	REVISED -	1297 & 2812					2009-134 RS	COOK	23	6	
PLOT SCALE = 58.0001' / IN.	CHECKED -	REVISED -	CONTRACT NO.60K00									
PLOT DATE = 2/10/2010	DATE -	REVISED -	SCALE:		SHEET NO.	OF	SHEETS	STA.	TO STA.	FED. ROAD DIST. NO. 1 [ILLINOIS] FED. AID PROJECT		