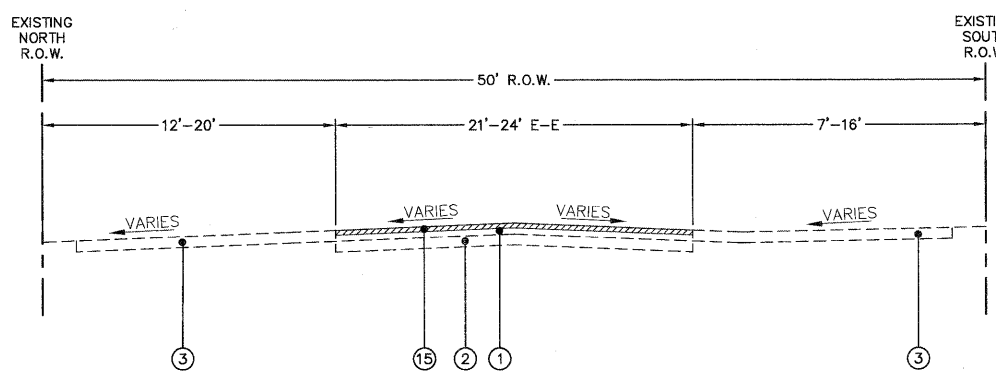


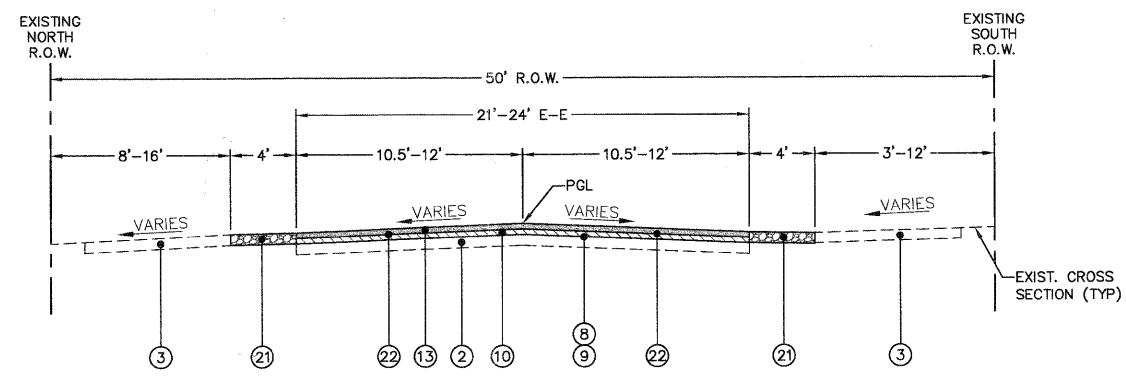
LEGEND	
①	EXISTING ASPHALT PAVEMENT
②	EXISTING SUB-BASE GRANULAR MATERIAL
③	EXISTING AGGREGATE SHOULDER/SURFACE
④	PAVEMENT REMOVAL
⑤	EARTH EXCAVATION
⑥	AGGREGATE SUBGRADE, 12"
⑦	COMBINATION CONCRETE CURB AND GUTTER, TYPE B-6.12
⑧	BITUMINOUS MATERIALS (PRIME COAT)
⑨	AGGREGATE (PRIME COAT)
⑩	LEVELING BINDER, (MACHINE METHOD), N50, 1"
⑪	HOT-MIX ASPHALT BINDER COURSE, IL-19.0, N50, 2 1/2"
⑫	HOT-MIX ASPHALT BINDER COURSE, IL-14.0, N50, 4 1/2" (2 LIFTS)
⑬	HOT-MIX ASPHALT SURFACE COURSE, MIX "C", N50, 2"
⑭	TOPSOIL, SEEDING, FERTILIZER AND MULCH PER PLANS
⑮	HOT-MIX ASPHALT SURFACE REMOVAL, 2"
⑯	POROUS GRANULAR EMBANKMENT, AS NEEDED
⑰	GEOTECHNICAL FABRIC FOR GROUND STABILIZATION, AS NEEDED
⑱	5' PORTLAND CEMENT CONCRETE SIDEWALK, 5" THICK ON 4" AGGREGATE BASE, TYPE B (7" THICK @ DRIVEWAYS W/ 6" BASE)
⑲	7' PORTLAND CEMENT CONCRETE SIDEWALK, 5" THICK ON 4" AGGREGATE BASE, TYPE B (7" THICK @ DRIVEWAYS W/ 6" BASE)
⑳	EXISTING SIDEWALK
㉑	AGGREGATE SHOULDERS, TYPE B, 6"
㉒	AREA REFLECTIVE CRACK CONTROL
㉓	HOT-MIX ASPHALT SURFACE REMOVAL, VARIABLE DEPTH

HOT-MIX ASPHALT MIXTURE REQUIREMENTS	
MIXTURE TYPE	AIR VOID @ N _{des}
PAVEMENT RESURFACING	
HOT-MIX ASPHALT SURFACE COURSE, MIX "C", N50 (IL-9.5MM), 2"	4% @ 50 GYR.
LEVELING BINDER (MACHINE METHOD), N50 (IL-9.5 MM), 1"	4% @ 50 GYR.
FULL DEPTH PAVEMENT	
HOT-MIX ASPHALT SURFACE COURSE, MIX "C", N50 (IL-9.5MM), 2"	4% @ 50 GYR.
HOT-MIX ASPHALT BINDER COURSE, IL-19.0, N50, 4 1/2" (2 LIFTS)	4% @ 50 GYR.
PAVEMENT WIDENING	
HOT-MIX ASPHALT SURFACE COURSE, MIX "C", N50 (IL-9.5MM), 2"	4% @ 50 GYR.
LEVELING BINDER (MACHINE METHOD), N50 (IL-9.5 MM), 1"	4% @ 50 GYR.
HOT-MIX ASPHALT BINDER COURSE, IL-19.0, N50, 2 1/2"	4% @ 50 GYR.
PATCHING	
CLASS D PATCHES (HMA BINDER IL-19.0 MM)	4% @ 70 GYR.
THE "AC TYPE" FOR POLYMERIZED HMA MIXES SHALL BE "SBS/SBR PG 70-22" AND FOR NON-POLYMERIZED HMA THE "AC TYPE" SHALL BE "PG 64-22" UNLESS MODIFIED BY DISTRICT ON SPECIAL PROVISIONS. FOR "PERCENT OF RAP" SEE DISTRICT ONE SPECIAL PROVISIONS	
THE UNIT WEIGHT USED TO CALCULATE ALL HOT-MIX ASPHALT QUANTITIES IS 112 LBS/SQ.YD./INCH.	
CONTRACTOR SHALL MILL BEFORE PATCHING.	

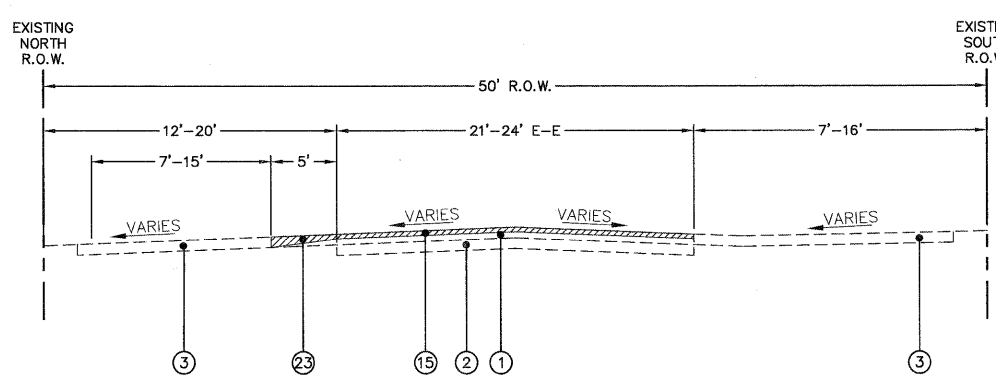
EXISTING THICKNESS TABLE		
ROADWAY	AVERAGE EXISTING HOT-MIX ASPHALT THICKNESS (INCHES)	AVERAGE EXISTING AGGREGATE BASE COURSE THICKNESS (INCHES)
MILL AVENUE	4.50	5.50



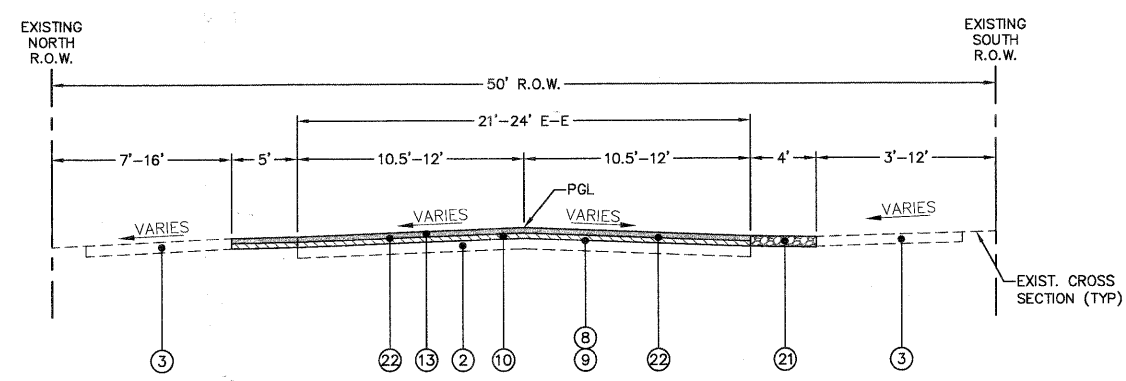
EXISTING TYPICAL SECTION
MILL AVENUE
STA. 100+49 TO STA. 106+90



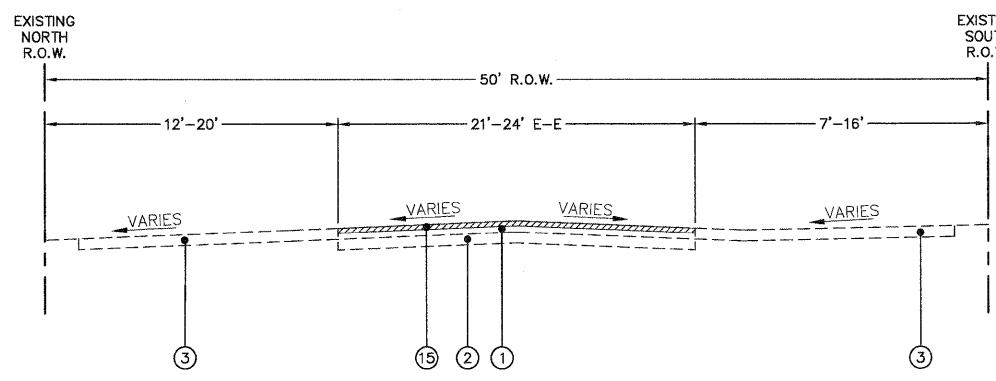
PROPOSED TYPICAL SECTION
MILL AVENUE
STA. 100+49 TO STA. 106+90



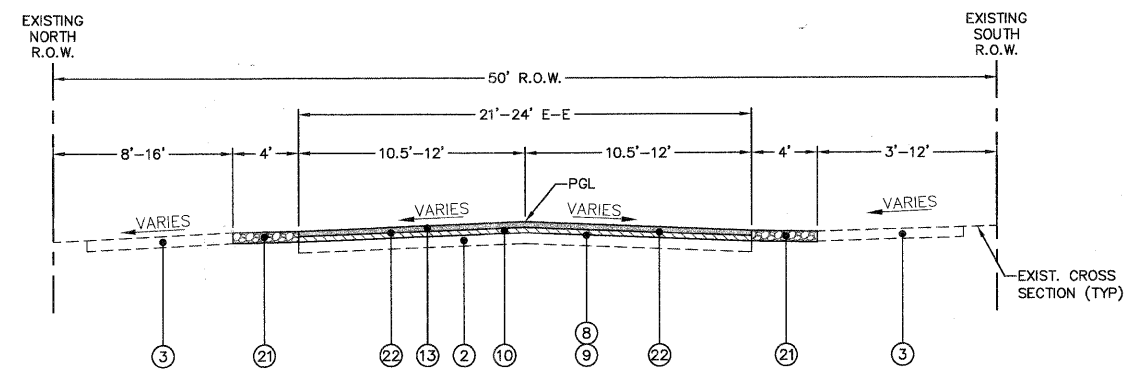
EXISTING TYPICAL SECTION
MILL AVENUE
STA. 106+90 TO STA. 110+70



PROPOSED TYPICAL SECTION
MILL AVENUE
STA. 106+90 TO STA. 110+70



EXISTING TYPICAL SECTION
MILL AVENUE
STA. 110+70 TO STA. 117+77



PROPOSED TYPICAL SECTION
MILL AVENUE
STA. 110+70 TO STA. 117+77

Printed: February 1, 2010 @ 2:05 PM By: Kris Pung - Tab: 09-SECTR (22-34)

Path: \\SBSKRD01\H0657\DWG\H0657\DWG_FINAL_ENG\H0657-CR

FILE NAME	USER NAME = #USER#	DESIGNED - JAM, SWM	REVISED - 12/02/09
FILE#		DRAWN - KKP	REVISED - 01/22/10
		CHECKED - JAM	REVISED - 02/03/10
		DATE - 10/16/09	REVISED -

STATE OF ILLINOIS
DEPARTMENT OF TRANSPORTATION

MILL AVENUE - TYPICAL CROSS SECTIONS	
PROJECT NO. HPP-1468(004)	JOB NO. C-91-175-06
SHEET NO. 6 OF 92 SHEETS	STA. N/A TO STA. N/A

F.A. - RTE.	SECTION	COUNTY	TOTAL SHEETS	SHEET NO.
N/A	06-00015-00-PV	KANE	97	9
CONTRACT NO. 63406				
FED. ROAD DIST. NO. - ILLINOIS FED. AID PROJECT				