

F.A.P. RTE.	SECTION	COUNTY	TOTAL SHEETS	SHEET NO.
301	177-2 (-1A, B-1, VB-1)	STEPHENSON	386	16
STA.	TO STA.			
FED. ROAD DIST. NO.	ILLINOIS	FED. AID PROJECT		
P-92-029-02				TYP-2 OF 9
CONTRACT# 64799				

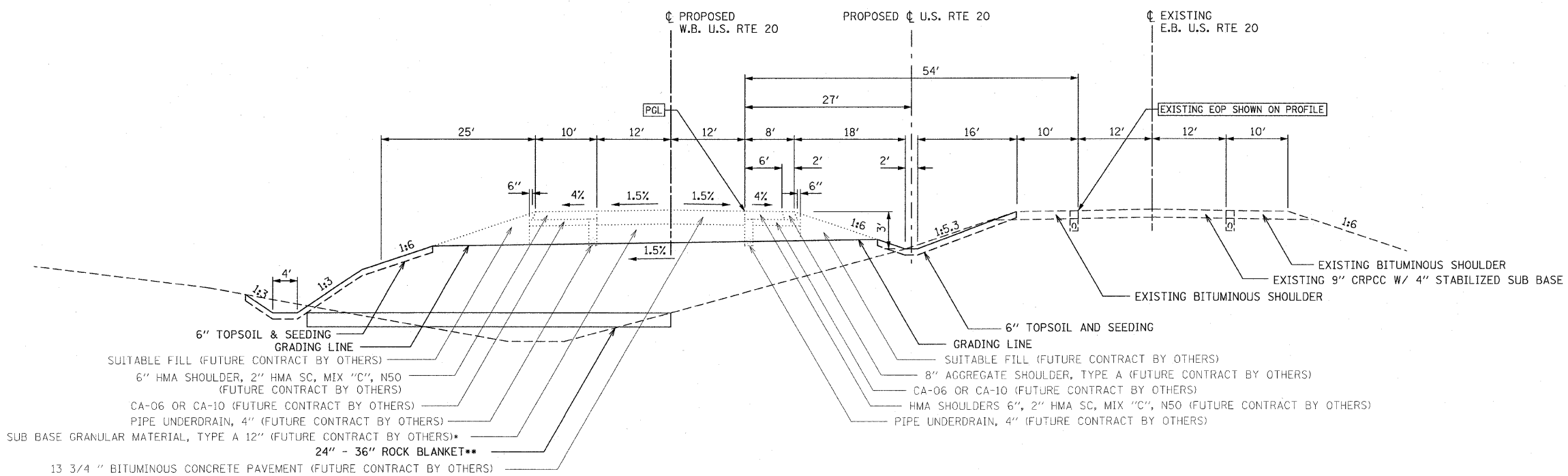
NOTES:

THIS CONTRACT IS FOR SITE GRADING ONLY. THE WESTBOUND U.S. 20 PAVEMENT WILL BE CONSTRUCTED UNDER A SEPARATE CONTRACT.

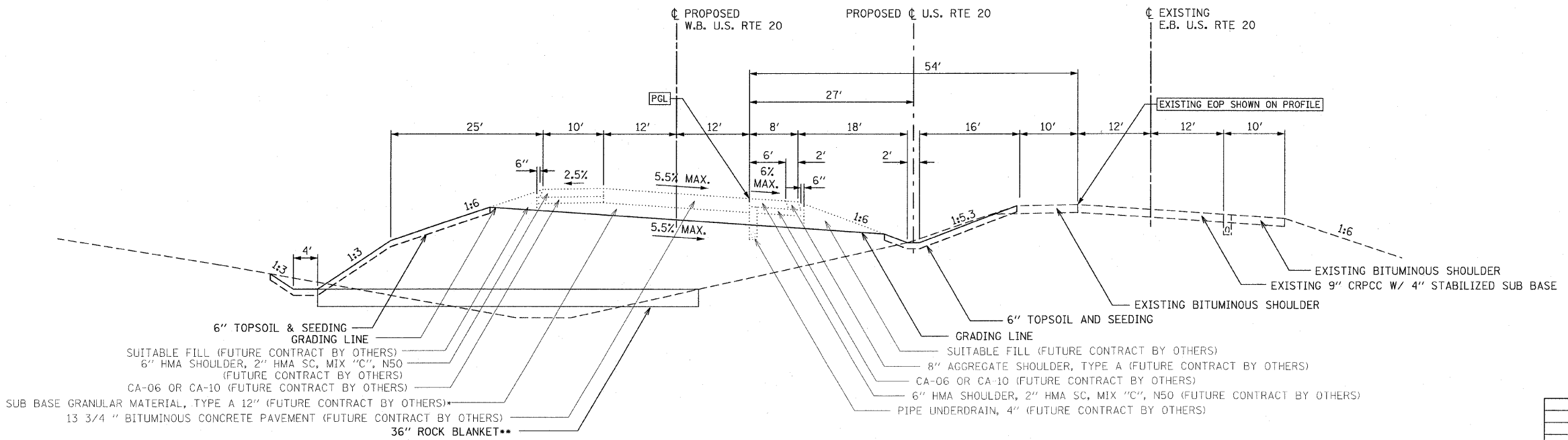
A 6" LAYER OF TOPSOIL W/ SEEDING SHALL BE PLACED ALONG THE TOP OF THE GRADED EMBANKMENT.

* SUB-BASE GRANULAR MATERIAL TYPE A	DEPTH
STA. 478+50 TO 480+50	24"
STA. 486+00 TO 491+00	24"
STA. 499+50 TO 502+50	24"
STA. 520+00 TO 521+50	24"
STA. 577+50 TO 585+50	6"
STA. 633+00 TO 639+00	6"

** ROCK BLANKET (QUARRY RUN GRANULAR EMBANKMENT)	DEPTH
STA. 521+50 TO 537+00	36" ROCK BLANKET
STA. 571+00 TO 576+00	36" ROCK BLANKET
STA. 590+00 TO 594+50	36" ROCK BLANKET
STA. 599+00 TO 607+00	24" ROCK BLANKET IN DITCH
STA. 620+00 TO 622+00	24" ROCK BLANKET IN DITCH



**U.S. ROUTE 20 MAINLINE TYPICAL SECTION
(NORMAL)**
 STA. 485+00.00 TO STA. 492+00.00
 STA. 499+00.00 TO STA. 502+00.00
 STA. 519+00.00 TO STA. 522+00.00



**U.S. ROUTE 20 MAINLINE TYPICAL SECTION
(SUPERELEVATED)**
 STA. 590+66 TO 598+89.24

REVISIONS	
NAME	DATE

ILLINOIS DEPARTMENT OF TRANSPORTATION
 F.A.P. ROUTE 301 (US RTE. 20)
 FROM BOLTON ROAD TO WEST OF IL RTE. 26

**TYPICAL SECTIONS
 U.S. 20 MAINLINE**

SCALE: NONE
 DATE: 01-22-10

DRAWN BY SJV
 CHECKED BY RMH

