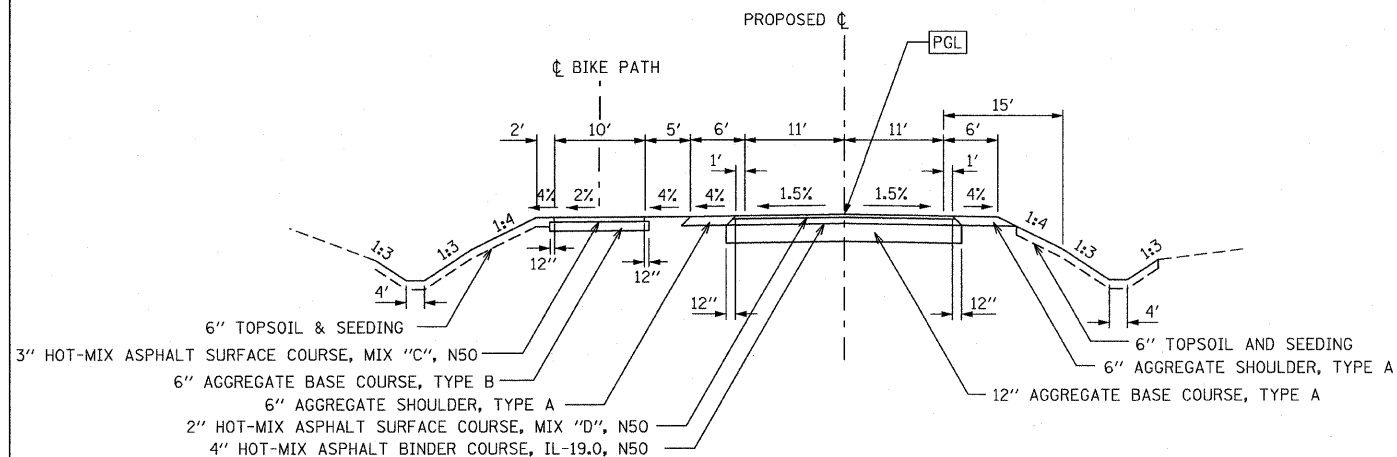
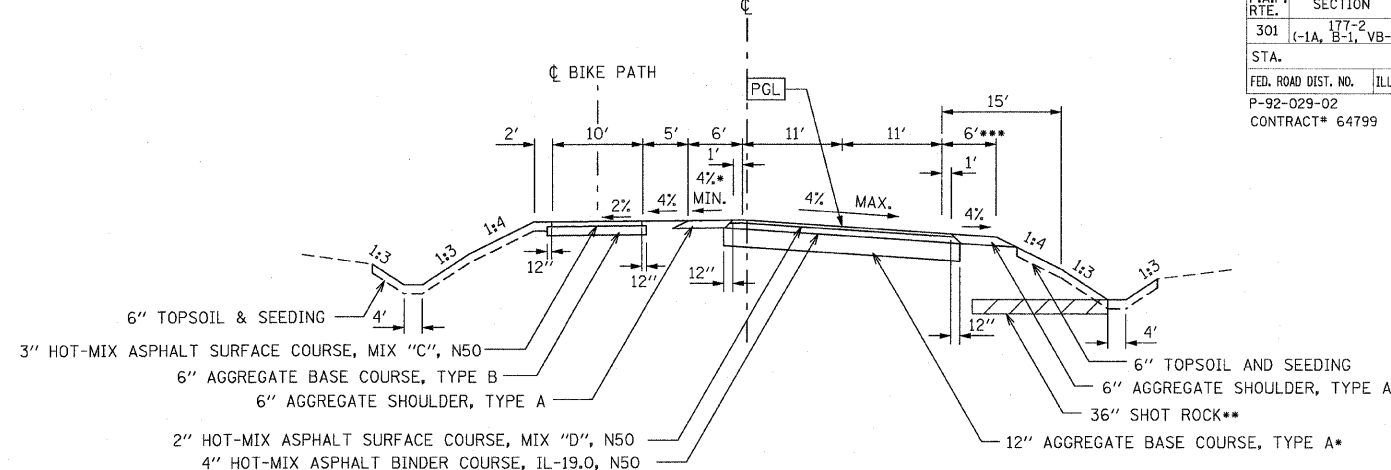


F.A.P. RTE.	SECTION	COUNTY	TOTAL SHEETS	SHEET NO.
301	177-2 (-1A, B-1, VB-1)	STEPHENSON	386	21
STA.	TO STA.			
FED. ROAD DIST. NO.	ILLINOIS	FED. AID PROJECT		
P-92-029-02				TYP-7 OF 9
CONTRACT# 64799				

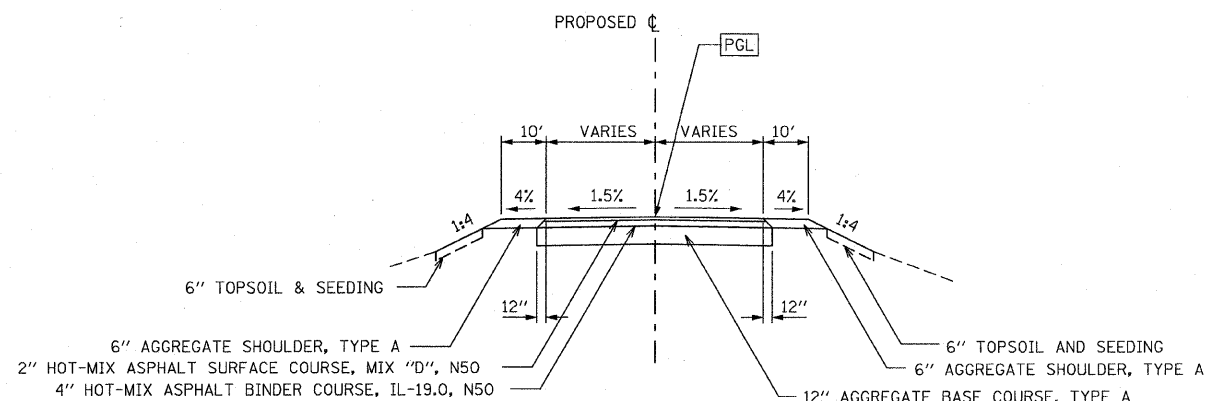


FRONTAGE ROAD AND HEINE ROAD  
TYPICAL SECTION  
FRONTAGE ROAD STA. 95+50.00 TO STA. 95+63.65  
HEINE ROAD STA. 8+00.00 TO STA. 10+51.06  
HEINE ROAD STA. 21+70.47 TO STA. 22+77.35

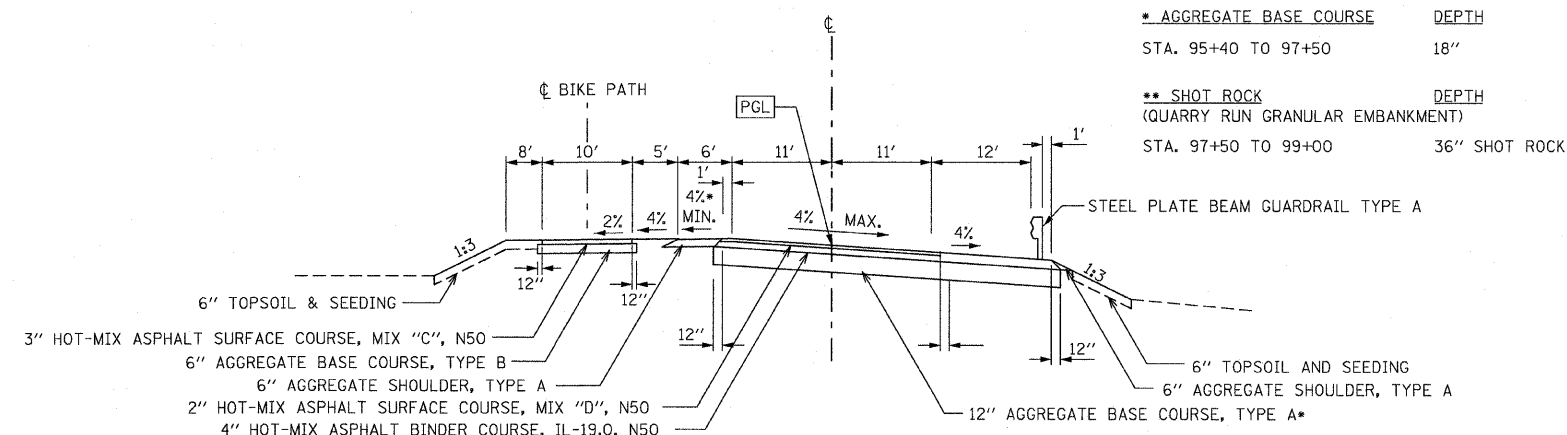


SUPERELEVATION DETAIL  
FRONTAGE ROAD AND HEINE ROAD  
FRONTAGE ROAD STA. 95+63.65 TO STA. 102+71.50  
FRONTAGE ROAD STA. 103+15.25 TO STA. 111+00.27  
HEINE ROAD STA. 10+51.06 TO STA. 17+61.93

\*\*\* TRANSITIONS  
FRONTAGE ROAD SHOULDER TRANSITIONS FROM 6' TO 12' FROM STA. 99+71.50 TO STA. 102+71.50  
FRONTAGE ROAD SHOULDER TRANSITIONS FROM 12' TO 6' FROM STA. 104+15.25 TO STA. 107+15.25

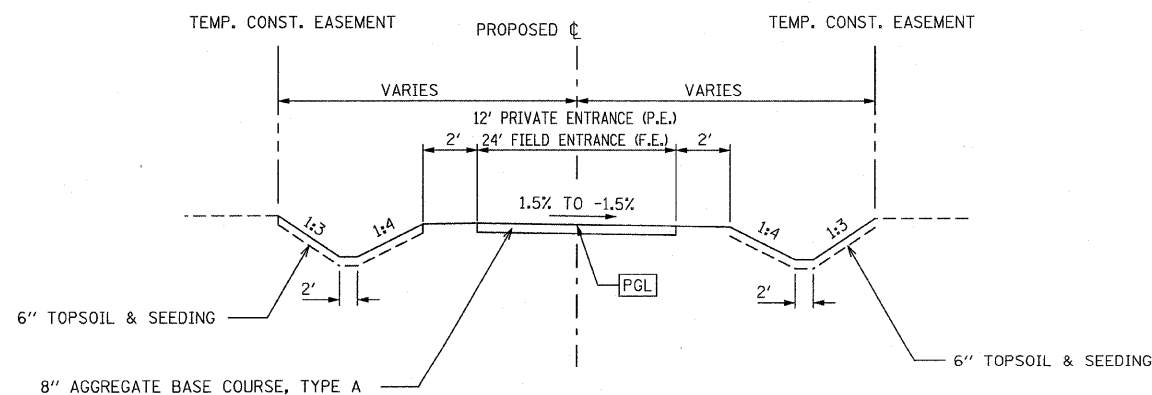


FRONTAGE ROAD ENTRANCE TYPICAL SECTION  
FRONTAGE ROAD ENTRANCE STA. 6+00.00 TO STA. 7+68.36

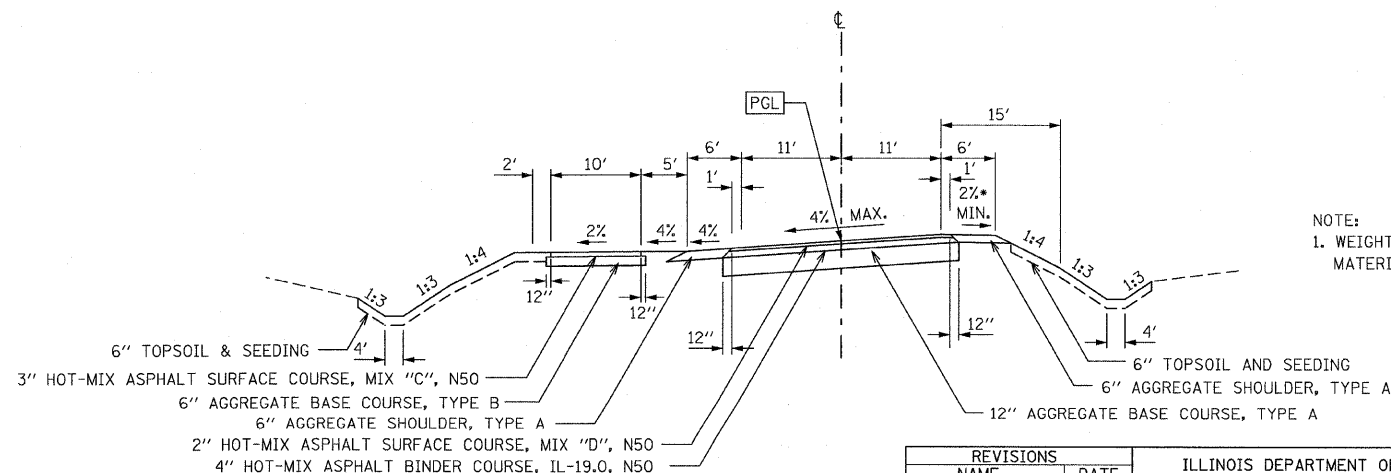


SUPERELEVATION DETAIL  
FRONTAGE ROAD STA. 102+71.50 TO STA. 103+15.25

* AGGREGATE BASE COURSE	DEPTH
STA. 95+40 TO 97+50	18"
** SHOT ROCK (QUARRY RUN GRANULAR EMBANKMENT)	DEPTH
STA. 97+50 TO 99+00	36" SHOT ROCK



PRIVATE ENTRANCE AND FIELD ENTRANCE  
TYPICAL SECTION



SUPERELEVATION DETAIL  
FRONTAGE ROAD AND HEINE ROAD  
HEINE ROAD STA. 17+61.93 TO 21+70.47

NOTE:  
1. WEIGHT OF BITUMINOUS MATERIAL = 112 LBS/IN<sup>2</sup>/SY.

REVISIONS	
NAME	DATE

ILLINOIS DEPARTMENT OF TRANSPORTATION  
F.A.P. ROUTE 301 (US RTE. 20)  
FROM BOLTON ROAD TO WEST OF IL RTE. 26  
  
TYPICAL SECTIONS  
FRONTAGE ROAD, HEINE ROAD  
PRIVATE ENTRANCE & FIELD ENTRANCE  
SCALE: NONE  
DATE: 01-22-10  
DRAWN BY SJV  
CHECKED BY RMH

