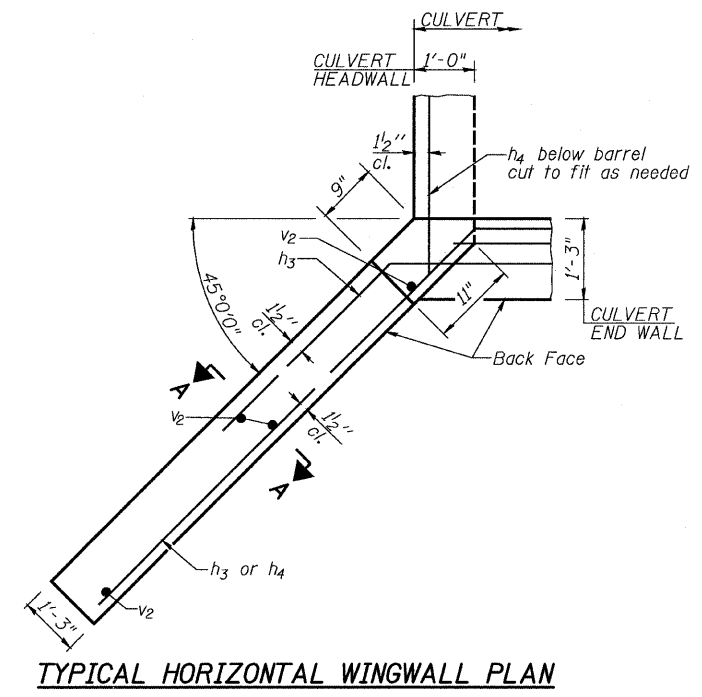


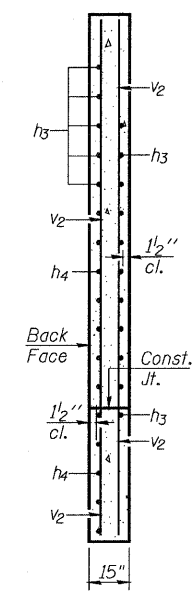
STATE OF ILLINOIS
DEPARTMENT OF TRANSPORTATION

ROUTE NO.	SECTION	COUNTY	TOTAL SHEETS	SHEET NO.	SHEET NO. 4
FAP 301	177-2	STEPHENSON	386	138	5 SHEETS
FED. ROAD DIST. NO. 7	ILLINOIS	FED. AID PROJECT-			

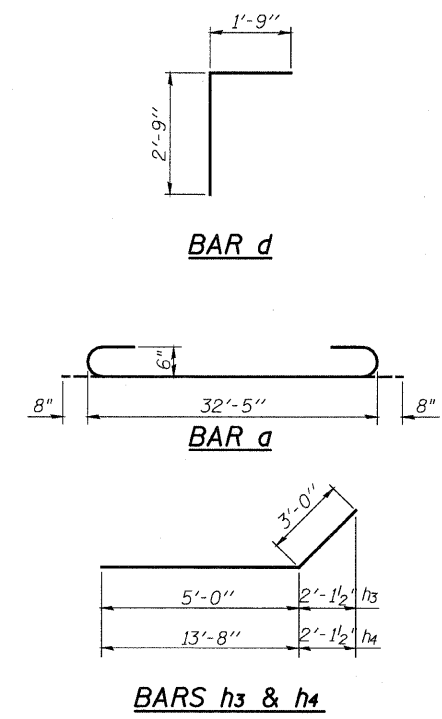
Contract No. 64799



TYPICAL HORIZONTAL WINGWALL PLAN

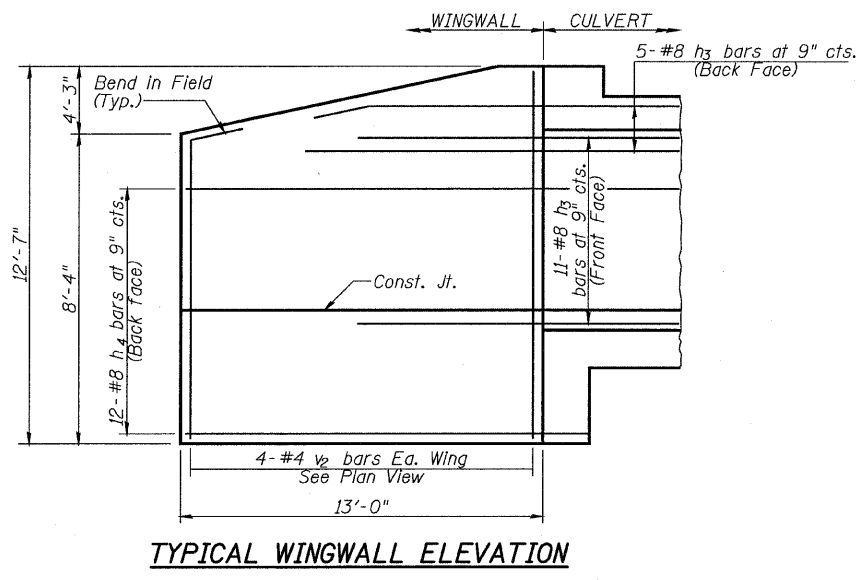


SECTION A-A

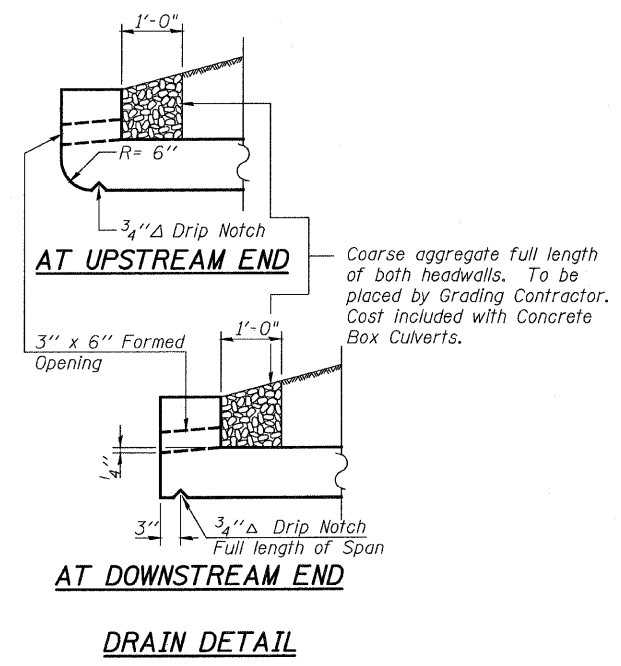


BILL OF MATERIAL

Bar	No.	Size	Length	Shape
a	304	#6	33'-9"	U
a1	304	#7	21'-4"	U
a2	152	#4	6'-11"	U
d	66	#4	4'-6"	U
h	198	#5	26'-4"	U
h1	198	#5	26'-4"	U
h2	108	#6	26'-8"	U
h3	64	#8	8'-0"	U
h4	48	#8	16'-8"	U
h5	10	#6	32'-5"	U
v	312	#5	8'-1"	U
v1	312	#5	3'-0"	U
v2	16	#4	12'-4"	U
Concrete Box Culverts		Cu. Yd.	257	
Reinforcement Bars		Pound	52,500	



TYPICAL WINGWALL ELEVATION



DRAIN DETAIL

Note:
1. Work this sheet with Sheet 3 of 5.

DESIGNED	B. GILHOUSEN
CHECKED	S. GAGE
DRAWN	N. LINT
CHECKED	B. GILHOUSEN



CULVERT DETAILS II
F.A.P. ROUTE 301 SECTION 177-2-1A
STEPHENSON COUNTY
STATION 103+72.00
STRUCTURE NO. 089-2018

T:\16814A\Struct\Cadd\Pre\final\US20 Western Tributary Culvert_089-2018\000000-64799-000-004.dgn
25-JAN-2010 13:26