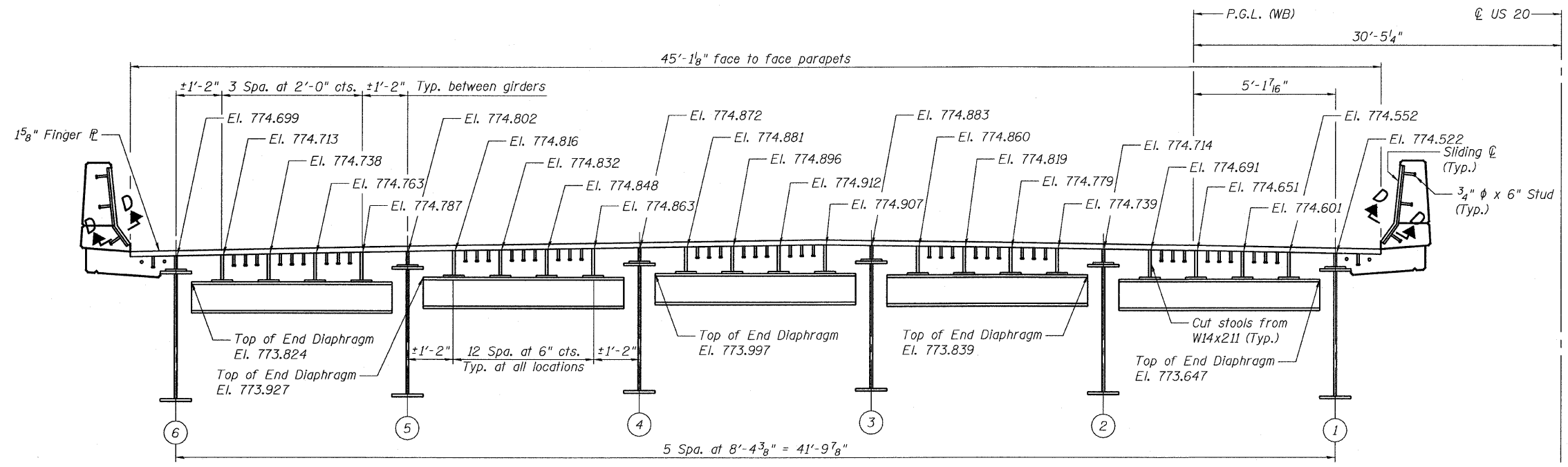


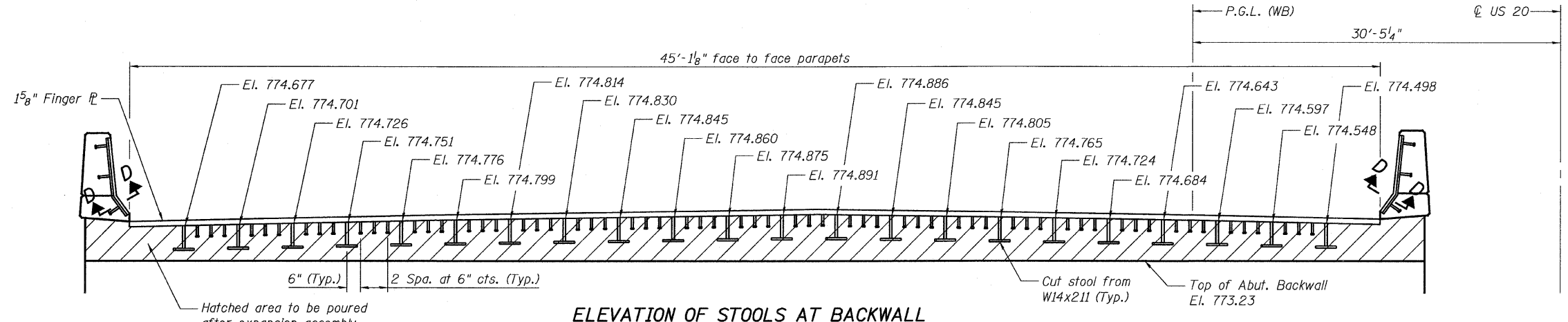
STATE OF ILLINOIS
DEPARTMENT OF TRANSPORTATION

ROUTE NO.	SECTION	COUNTY	TOTAL SHEETS	SHEET NO.	SHEET NO. 21
FAP 301	177-2	STEPHENSON	386	161	47 SHEETS
FED. ROAD DIST. NO. 7	ILLINOIS	FED. AID PROJECT-			

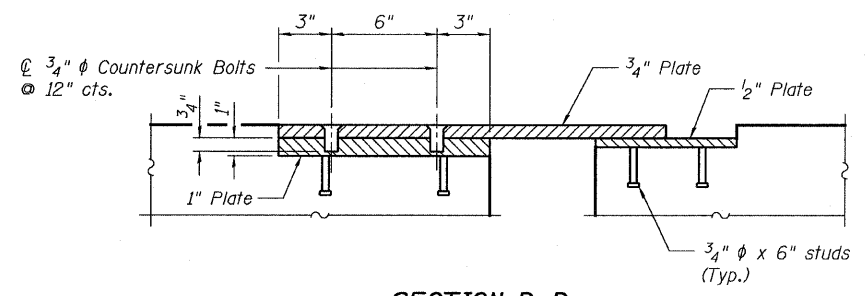
Contract No. 64799



ELEVATION OF STOOLS AT BEAMS
(Dimensions are along skew, unless noted)
(Looking East)



ELEVATION OF STOOLS AT BACKWALL
(Dimensions are along skew, unless noted)
(Looking East)



SECTION D-D

BILL OF MATERIAL

ITEM	UNIT	TOTAL
Finger Plate Expansion Joint, 3"	Foot	45.1
Fabric Reinforced Elastomeric Trough	Foot	45.1

DESIGNED	S.CHELBIAN
CHECKED	J.BRISBOIS
DRAWN	S.CHELBIAN
CHECKED	J.GRAINAWI

EXPANSION JOINT AT EAST ABUTMENT (DETAILS II)
F.A.P. ROUTE 301 SECTION 177-2B-1
STEPHENSON COUNTY
STATION 540+65.71
STRUCTURE NO. 089-0082



T:\16814A\Struct\Cadd\Pre\final\US20 Bridge 089-0082 (Pecatonica River Bridge)\000000-64799-000-000-021.dgn 25-JAN-2010 13:47