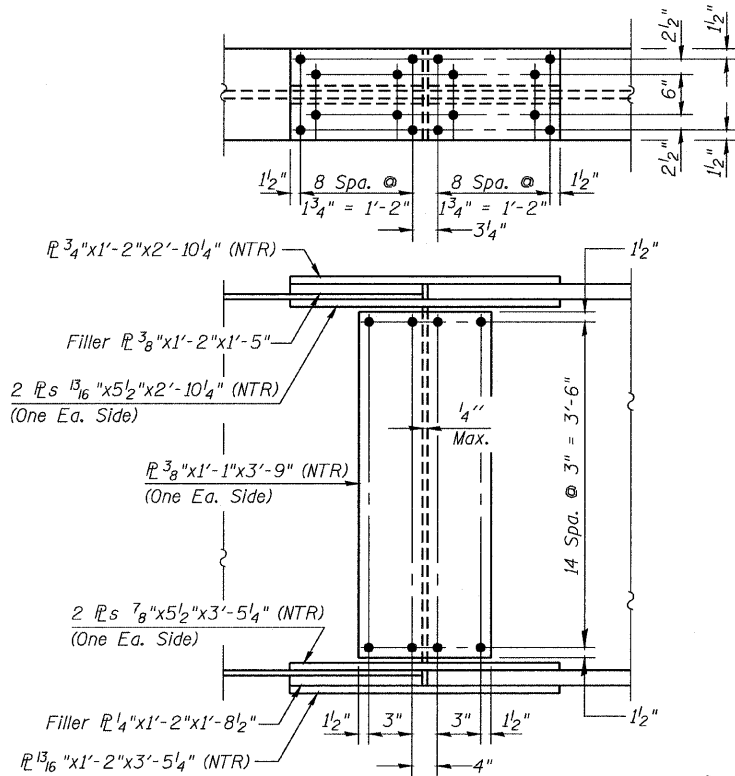


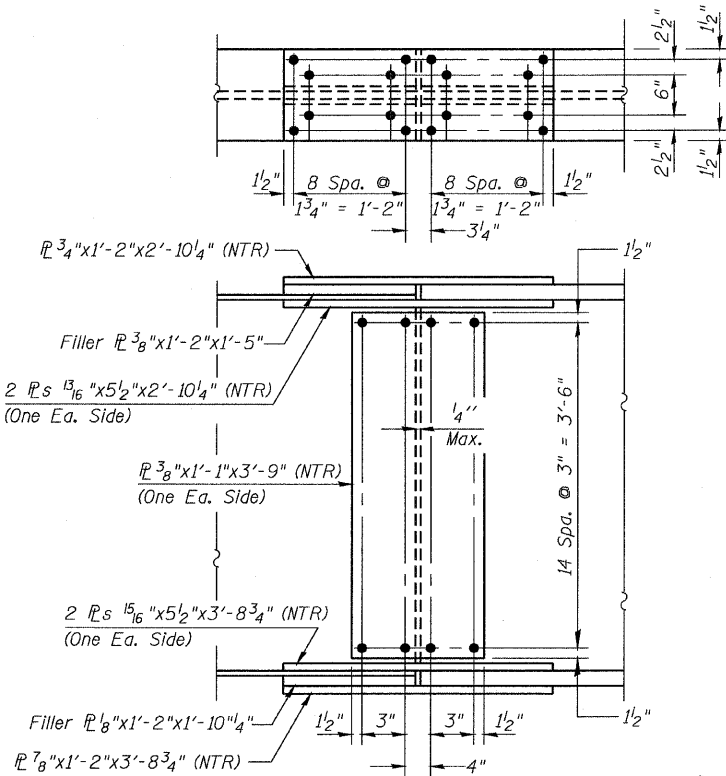
STATE OF ILLINOIS
DEPARTMENT OF TRANSPORTATION

ROUTE NO.	SECTION	COUNTY	TOTAL SHEETS	SHEET NO.	SHEET NO. 25
FAP 301	177-2	STEPHENSON	386	165	47 SHEETS
FED. ROAD DIST. NO. 7	ILLINOIS	FED. AID PROJECT-			

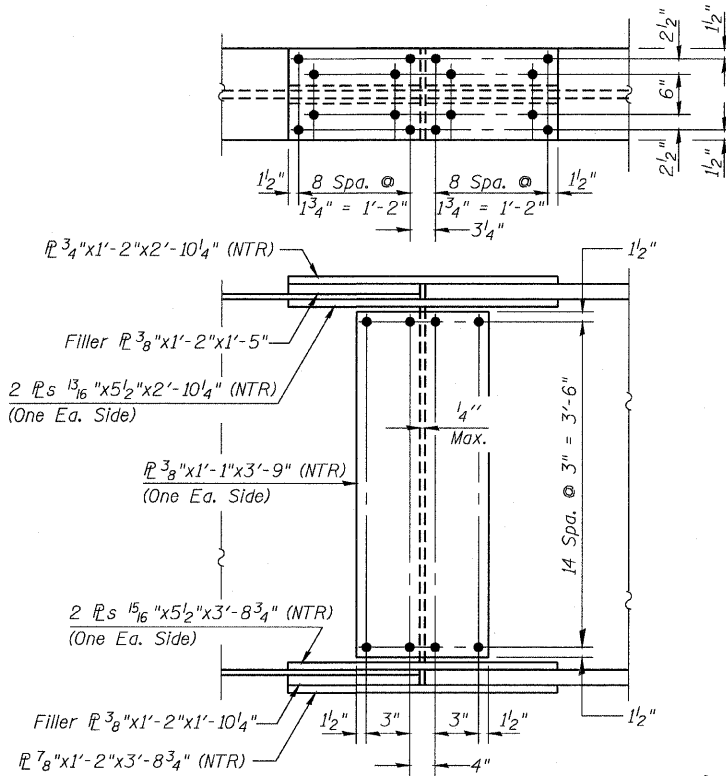
Contract No. 64799



FIELD SPLICES 1 & 6 DETAIL

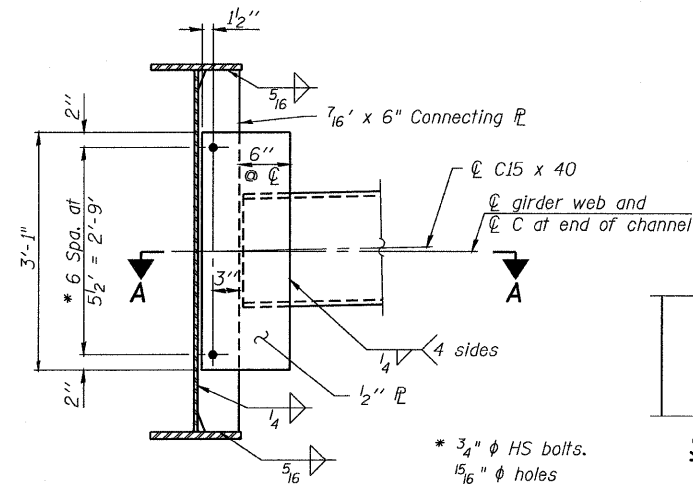


FIELD SPLICES 2 & 5 DETAIL



FIELD SPLICES 3 & 4 DETAIL

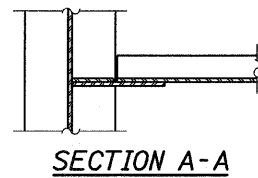
- Notes:
1. Load carry components designated "NTR" shall conform to the Supplemental Requirements for Notch Toughness, Zone 2.
 2. All structural steel shall be AASHTO M270, Gr. 50W.



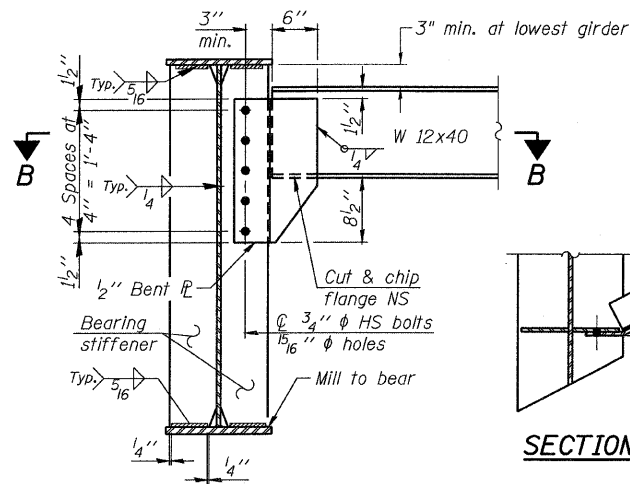
INTERIOR DIAPHRAGM D

(185 Required)

Note:
Two hardened washers required for each set of oversized holes.



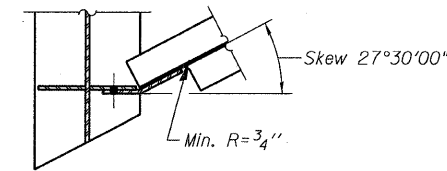
SECTION A-A



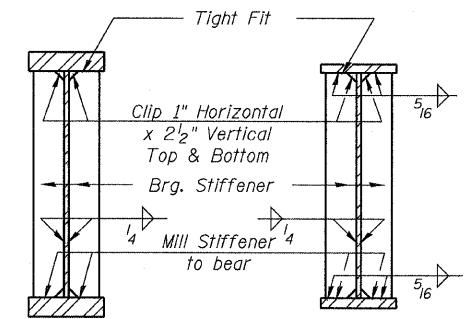
END DIAPHRAGM D1

(10 Required)

Note:
Two hardened washers shall be required over all oversized holes.



SECTION B-B



SECTION AT PIERS

SECTION AT ABUTMENTS

DESIGNED	A.HAMMAD
CHECKED	J.BRISBOIS
DRAWN	D.C.PATEL
CHECKED	J.GRAINAWI

PB PARSONS BRINCKERHOFF

FRAMING DETAILS II
F.A.P. ROUTE 301 SECTION 177-2B-1
STEPHENSON COUNTY
STATION 540+65.71
STRUCTURE NO. 089-0082