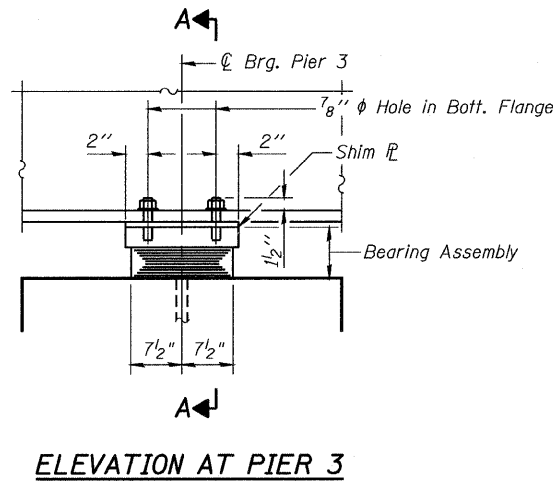


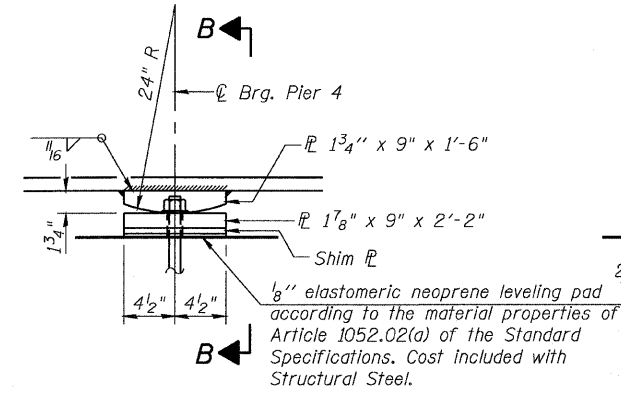
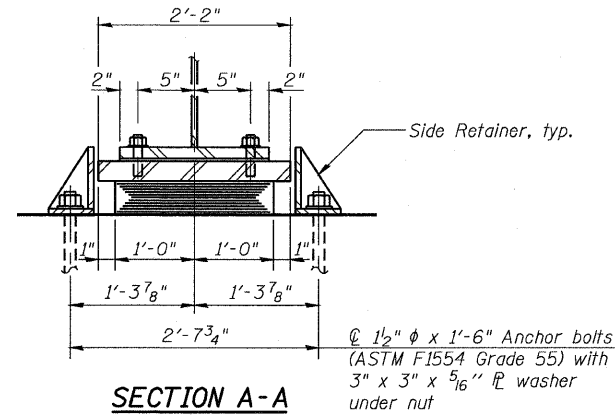
STATE OF ILLINOIS
DEPARTMENT OF TRANSPORTATION

ROUTE NO.	SECTION	COUNTY	TOTAL SHEETS	SHEET NO.	SHEET NO. 27
FAP 301	177-2	STEPHENSON	386	167	47 SHEETS
FED. ROAD DIST. NO. 7	ILLINOIS	FED. AID PROJECT-			

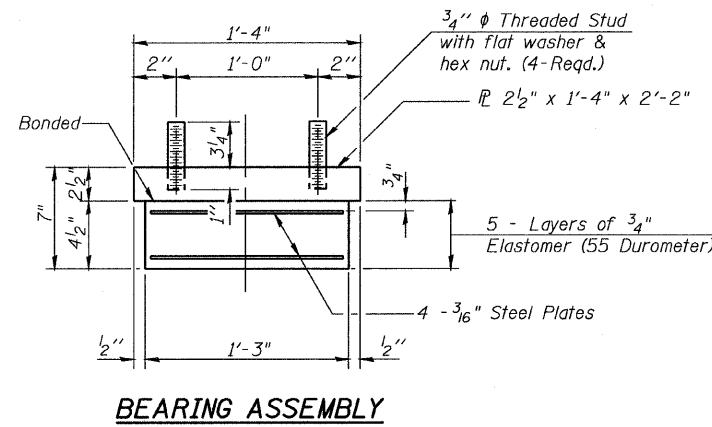
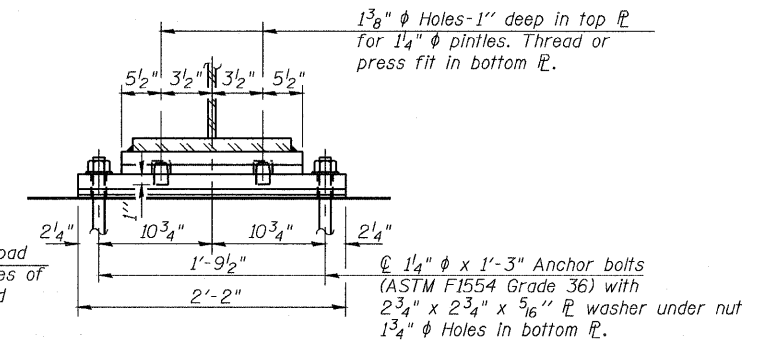
Contract No. 64799



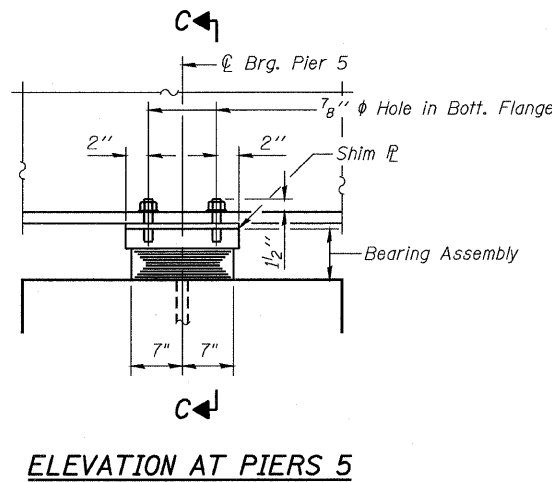
TYPE I ELASTOMERIC EXP. BRG. AT PIER 3
(6 Required)



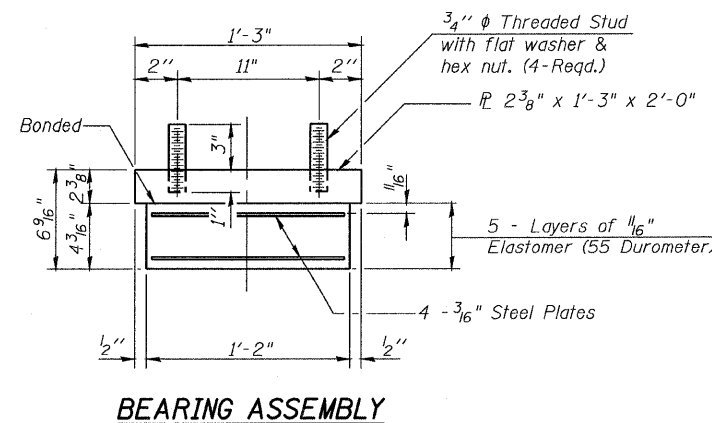
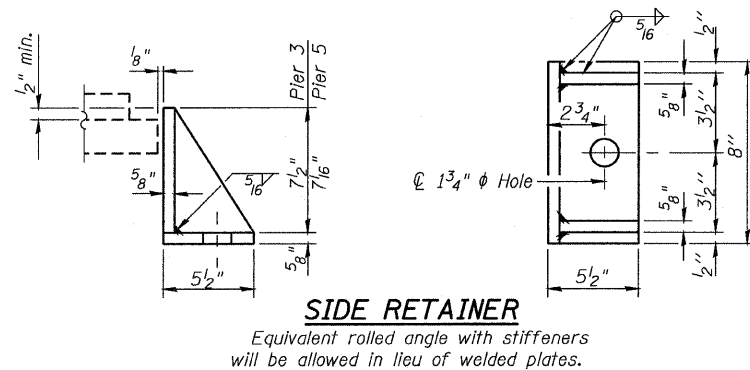
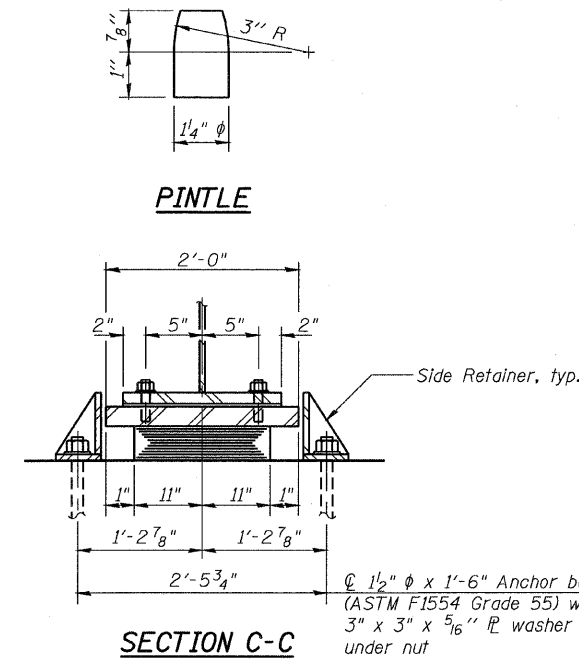
FIXED BEARING AT PIER 4
(6 Required)



Note:
Shim plates shall not be placed under Bearing Assembly.



TYPE I ELASTOMERIC EXP. BRG. AT PIER 5
(6 Required)



- Notes:
- Anchor bolts shall be ASTM F1554 all-thread (or an Engineer-approved alternate material) of the grade(s) and diameter(s) specified. ASTM A307 Grade C anchor bolts may be used in lieu of ASTM F1554 Grade 36 (Fy=36ksi). The corresponding specified grade of AASHTO M314 anchor bolts may be used in lieu of ASTM F1554.
 - Anchor bolts at fixed bearings may be either cast in place or installed in holes drilled after the supported member is in place.
 - Anchor bolts for side retainers may be cast in place or installed in holes drilled before or after members are in place.
 - Drilled and set anchor bolts shall be installed according to Article 521.06 of the Standard Specifications.
 - Side retainers and other steel members required for the bearing assembly shall be included in the cost of Elastomeric Bearing Assembly, Type I.
 - Two 1/8 in. adjusting shims shall be provided for each bearing in addition to all other plates or shims and placed as shown on bearing details.

BILL OF MATERIAL

Item	Unit	Total
Elastomeric Bearing Assembly Type I	Each	12
Anchor Bolts 1 1/4" φ	Each	12
Anchor Bolts 1 1/2" φ	Each	24

DESIGNED	S.CHELBIAN
CHECKED	J.BRISBOIS
DRAWN	D.C.PATEL
CHECKED	J.GRAINAWI

ELASTOMERIC BEARING ASSEMBLY TYPE I
F.A.P. ROUTE 301 SECTION 177-2B-1
STEPHENSON COUNTY
STATION 540+65.71
STRUCTURE NO. 089-0082

