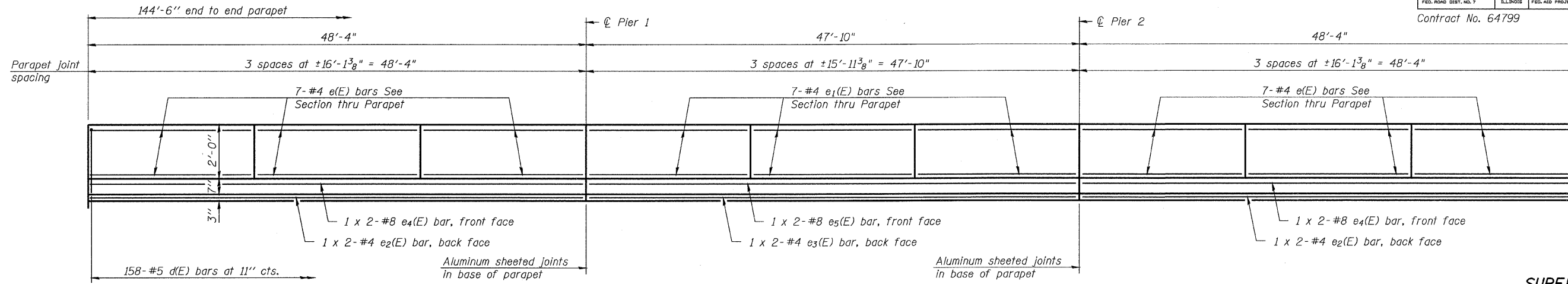


STATE OF ILLINOIS
DEPARTMENT OF TRANSPORTATION

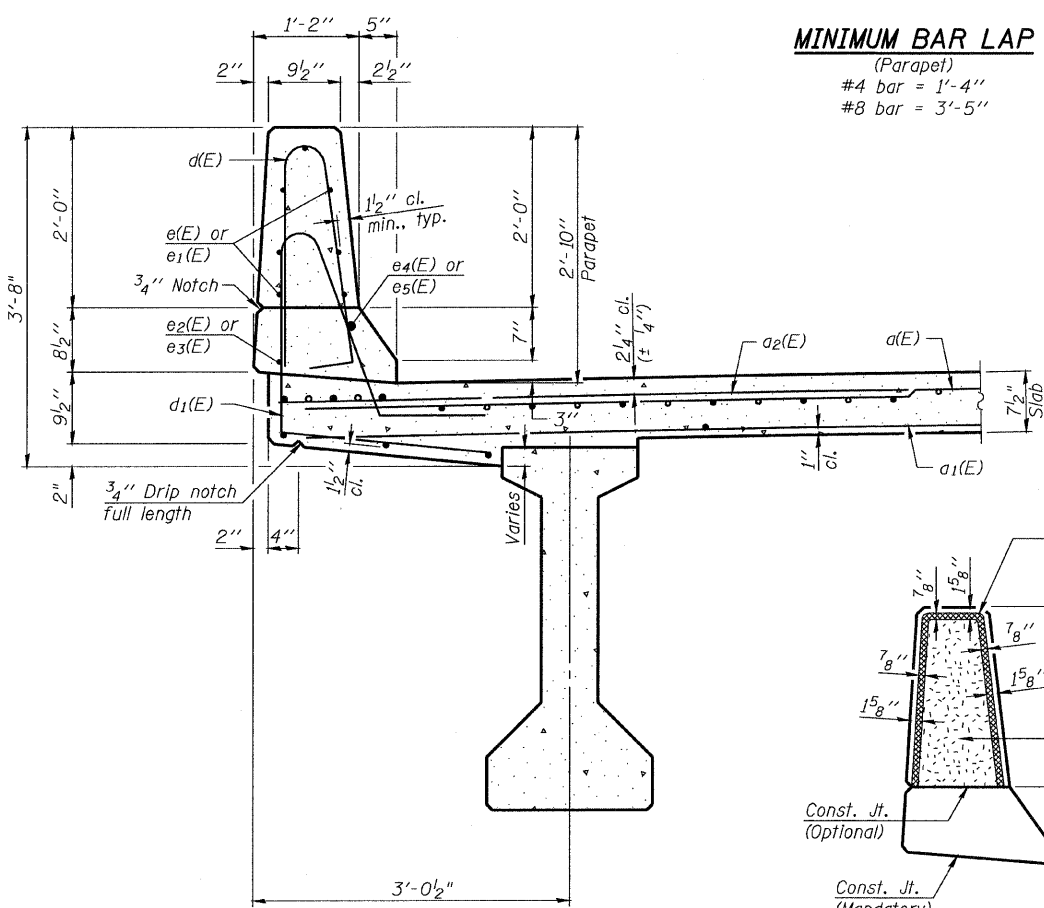
ROUTE NO.	SECTION	COUNTY	SHEETS	SHEET NO.
FAP 301	177-2	STEPHENSON	386	195
FED. ROAD DIST. NO. 7		ILLINOIS	FED. AID PROJECT-	

SHEET NO. 8
24 SHEETS

Contract No. 64799

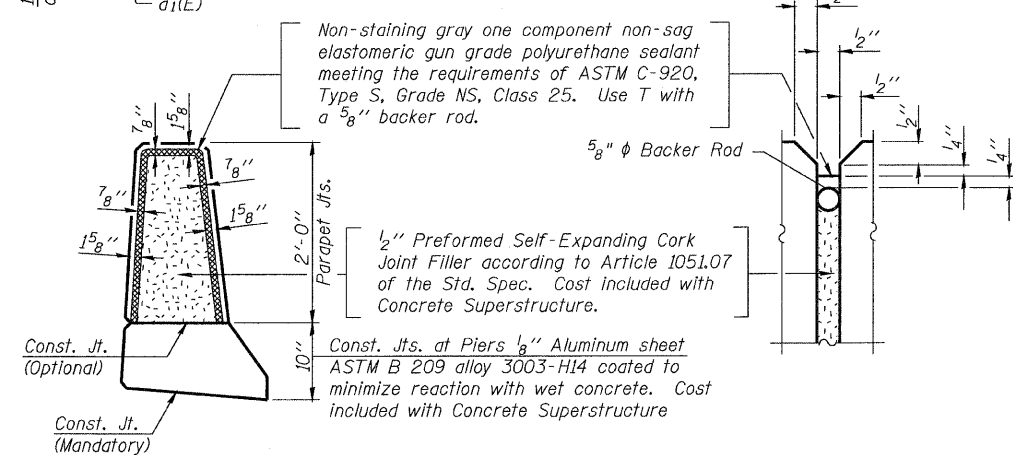


INSIDE ELEVATION OF PARAPET
(Looking North at North parapet)

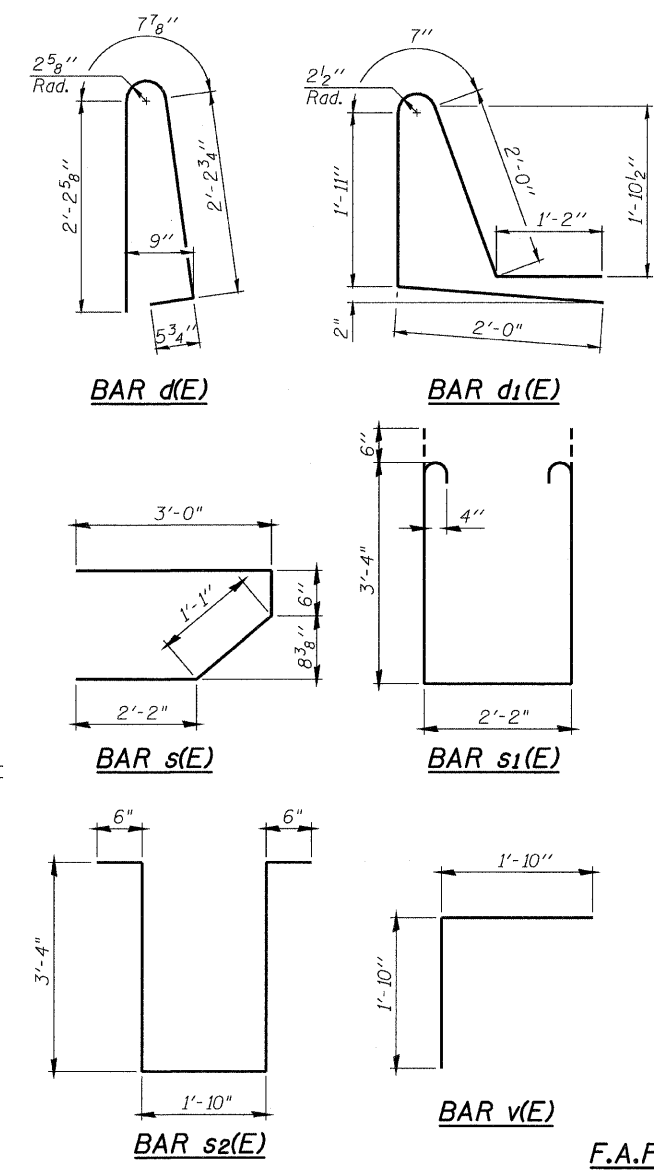


SECTION THRU PARAPET

MINIMUM BAR LAP
(Parapet)
#4 bar = 1'-4"
#8 bar = 3'-5"



PARAPET JOINT DETAILS



**SUPERSTRUCTURE
BILL OF MATERIAL**

Bar	No.	Size	Length	Shape
a(E)	267	#5	42'-6"	—
a1(E)	204	#5	42'-6"	—
a2(E)	127	#6	4'-6"	—
a3(E)	4	#5	43'-0"	—
b(E)	230	#5	30'-2"	—
b1(E)	86	#6	19'-3"	—
b2(E)	246	#5	25'-5"	—
d(E)	316	#5	5'-7"	⌋
d1(E)	316	#5	7'-8"	⌋
e(E)	84	#4	15'-9"	—
e1(E)	42	#4	15'-7"	—
e2(E)	8	#4	24'-8"	—
e3(E)	4	#4	24'-5"	—
e4(E)	8	#8	25'-9"	—
e5(E)	4	#8	25'-6"	—
m(E)	10	#6	43'-5"	—
m1(E)	24	#6	9'-7"	—
m2(E)	30	#6	5'-9"	—
m3(E)	4	#6	2'-0"	—
m4(E)	40	#4	6'-9"	—
m5(E)	12	#8	5'-6"	—
s(E)	82	#5	6'-9"	⌋
s1(E)	72	#4	9'-10"	⌋
s2(E)	60	#4	9'-6"	⌋
v(E)	88	#5	3'-10"	⌋
Reinforcement Bars, Epoxy Coated			Lbs.	48290
Concrete Superstructure			Cu. Yds.	226.5

Bars indicated thus 1 x 2- #5 etc. indicates 1 line of bars with 2 lengths per line.

SUPERSTRUCTURE DETAILS
F.A.P. ROUTE 301 SECTION 177-2VB-1
STEPHENSON COUNTY
STATION 569+87.29
STRUCTURE NO. 089-0083



DESIGNED	J.C. MUHAMMAD
CHECKED	Z. MORILLO
DRAWN	D.C. PATEL
CHECKED	J. GRAINAWI

T:\16814A\Struct\Cadd\Prefinal\US20 Bridge 089-0083 (Jane Addams Trail Bridge)1000000-64799-000-000-008.dgn 25-JAN-2010 14:25