

STATE OF ILLINOIS
DEPARTMENT OF TRANSPORTATION
43'-11"

ROUTE NO.	SECTION	COUNTY	TOTAL SHEETS	SHEET NO.
FAP 301	177-2	STEPHENSON	386	205
FED. ROAD DIST. NO. 7	ILLINOIS	FED. AID PROJECT-		

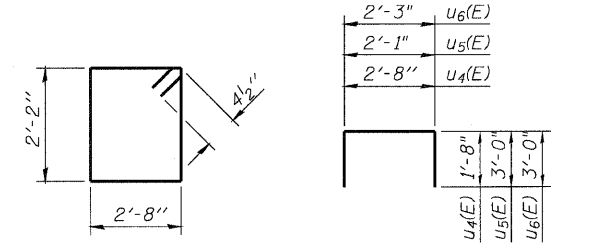
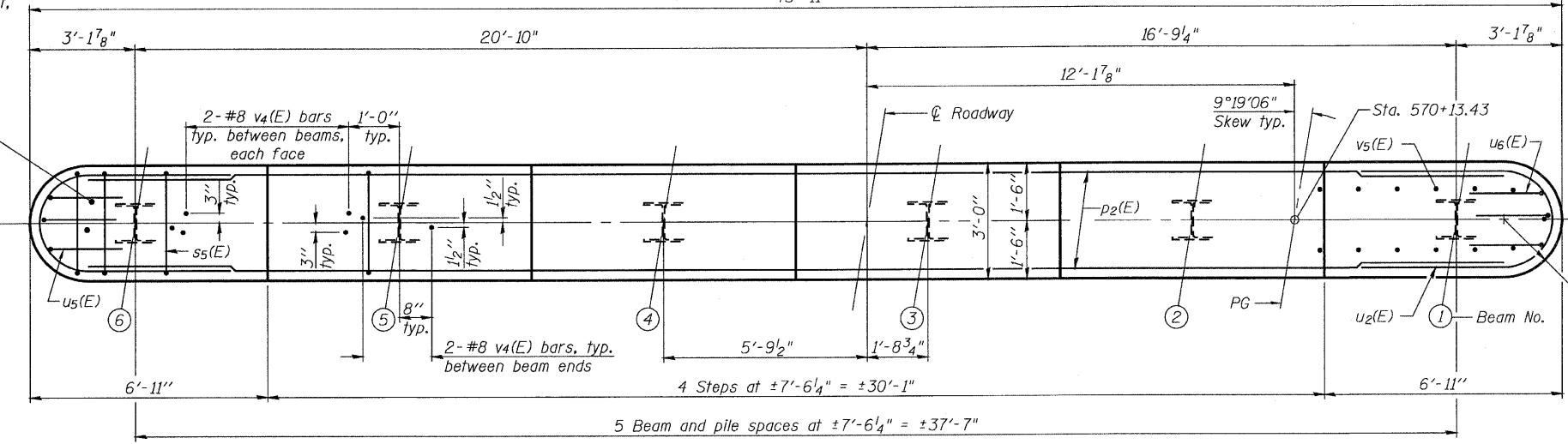
SHEET NO. 18
24 SHEETS

Contract No. 64799

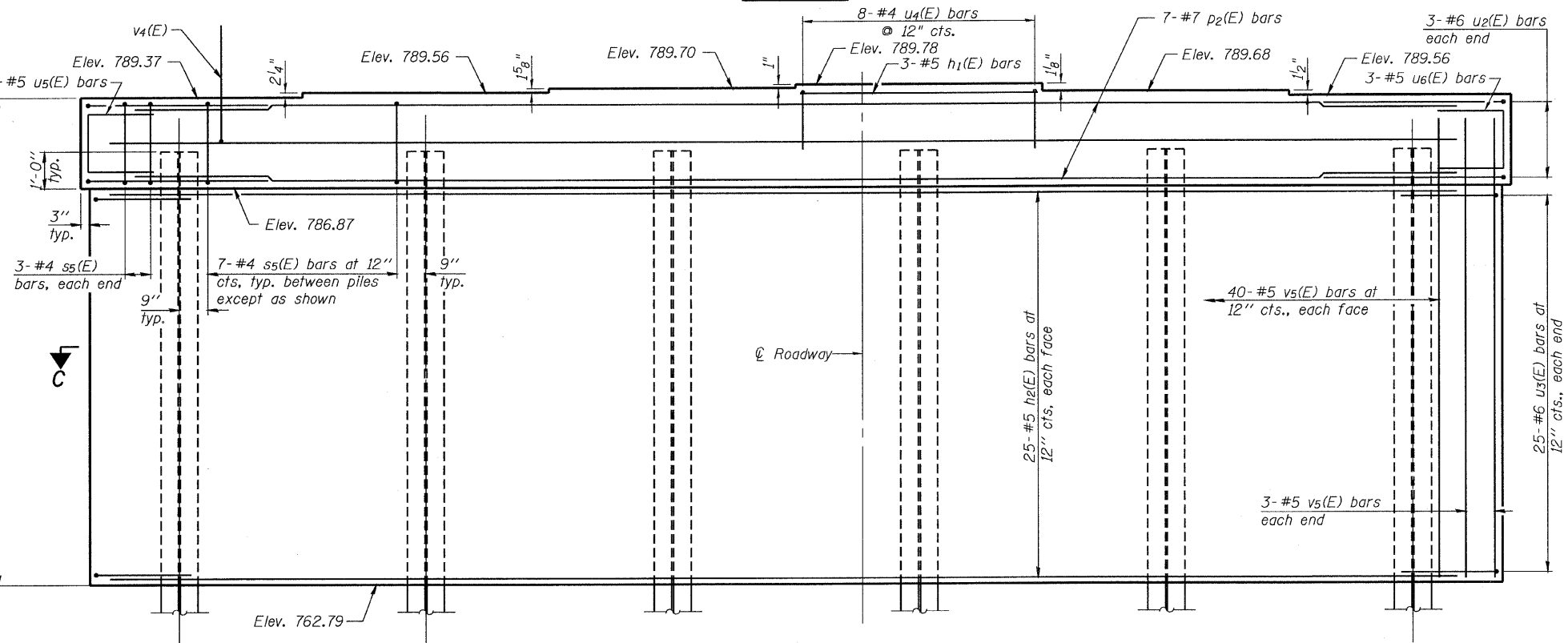
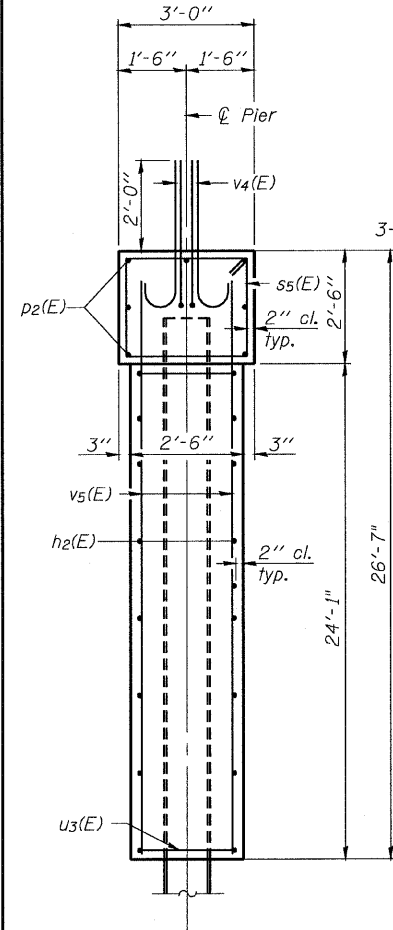
Notes:
Space reinforcement in cap to miss anchor bolts.
Pour steps monolithically with cap.
For details of piles, and Concrete Encasement,
see sheet 19 of 24.

PILE DATA

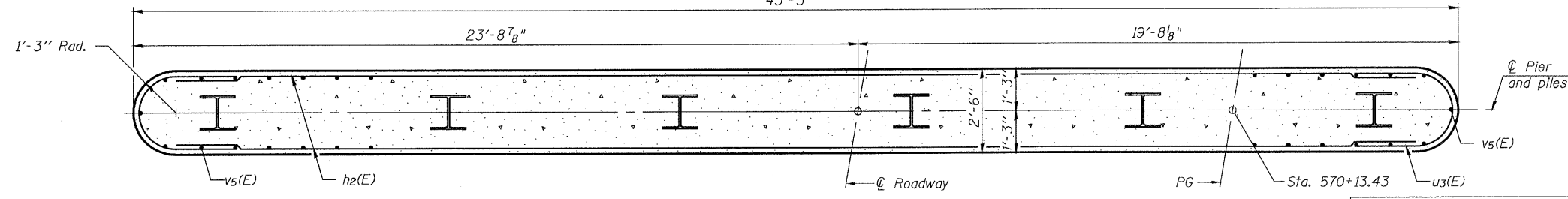
Type: HP 12 x 74 w/ Pile Shoes
Nominal Required Bearing: 589 kips
Allowable Resistance Available: 196 kips
Est. Length: 73 ft.
No. Production Piles: 5
No. Test Piles: 1



TOP PLAN



ELEVATION
(Looking East)



SECTION C-C

BILL OF MATERIAL

Bar	No.	Size	Length	Shape
h1(E)	3	#5	7'-2"	—
h2(E)	50	#5	40'-11"	—
p2(E)	7	#7	40'-11"	—
s5(E)	41	#4	10'-5"	□
u2(E)	6	#6	11'-4"	U
u3(E)	50	#6	10'-7"	U
u4(E)	8	#4	6'-0"	U
u5(E)	8	#5	8'-3"	U
u6(E)	8	#5	8'-1"	U
v4(E)	30	#8	4'-2"	U
v5(E)	86	#5	26'-1"	—

Structure Excavation	Cu. Yd.	53
Concrete Structures	Cu. Yd.	109.0
Reinforcement Bars, Epoxy Coated	Pound	6690
Furnishing Steel Piles, HP 12x74	Foot	365
Driving Piles	Foot	365
Test Pile, Steel HP 12x74	Each	1
Pile Shoes	Each	5

PIER 2
F.A.P. ROUTE 301 SECTION 177-2VB-1
STEPHENSON COUNTY
STATION 569+87.29
STRUCTURE NO. 089-0083



DESIGNED	J.ZUO
CHECKED	R. OTREMBIAK
DRAWN	D.C.PATEL
CHECKED	J.GRAINAWI

T:\168144\Struct\Cadd\Prefinal\US20 Bridge 089-0083 (Jane Addams Trail Bridge)1000000-64799-000-018.dgn
25-JAN-2010 14:25