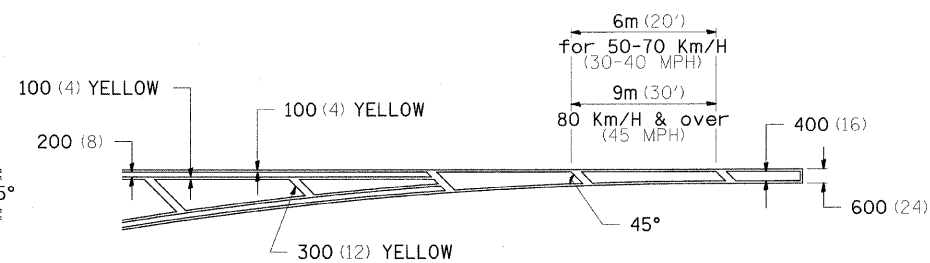
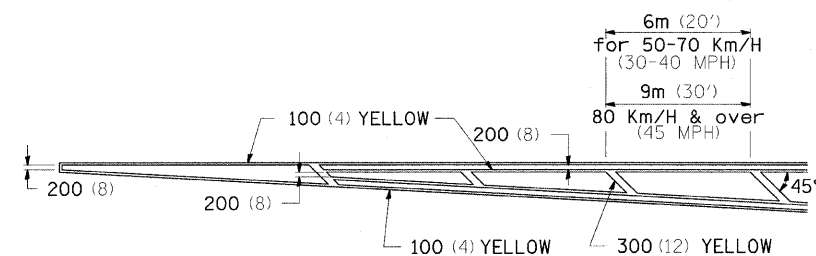


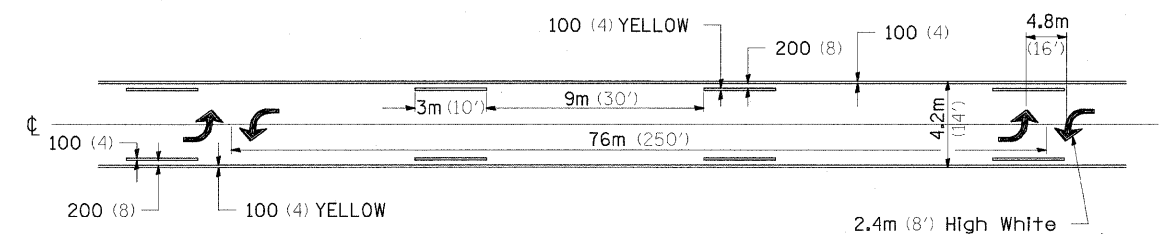
F.A. RTE.	SECTION	COUNTY	TOTAL SHEETS	SHEET NO.
301	177-2 (-1A, B-1, VB-1)	STEPHENSON	386	238
STA.		TO STA.		
FED. ROAD DIST. NO.		ILLINOIS FED. AID PROJECT		
P-92-029-02				

TYPICAL PAVEMENT MARKINGS

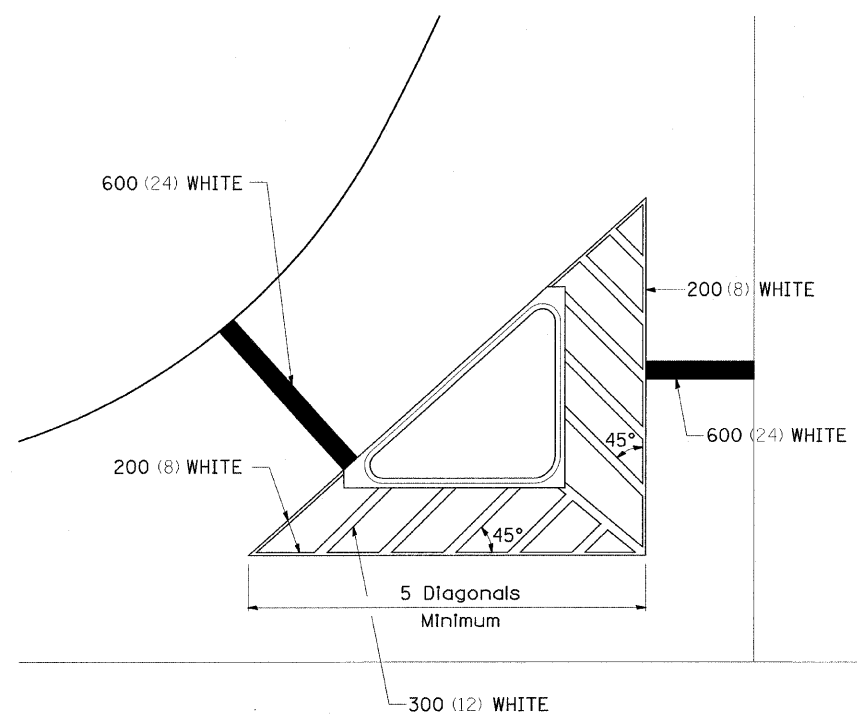
TYPICAL PAVEMENT MARKING FOR FLUSH MEDIAN



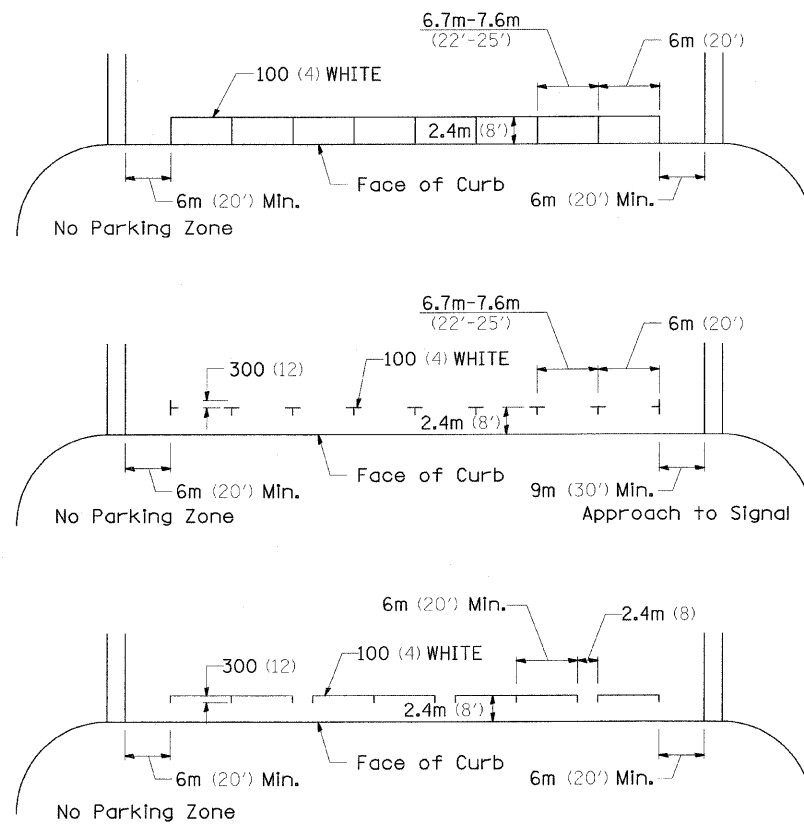
MEDIAN PAVEMENT MARKING



TYPICAL ISLAND OFFSET SHOULDER WIDTH



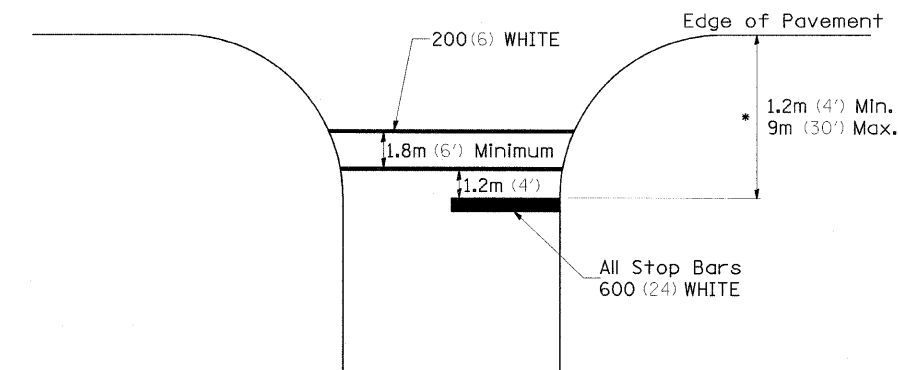
TYPICAL PARKING SPACING



** ALL DIMENSIONS ARE IN MILLIMETERS (INCHES) UNLESS OTHERWISE NOTED.

STANDARD CROSSWALK MARKING

See Schedules for Locations



• Distance to the nearest edge of the intersecting roadway in the absence of a marked crosswalk.

PLOT DATE = 1/26/2010
FILE NAME = 07FILEL
PLOT SCALE = #SCALE#
REFERENCE = #REF#