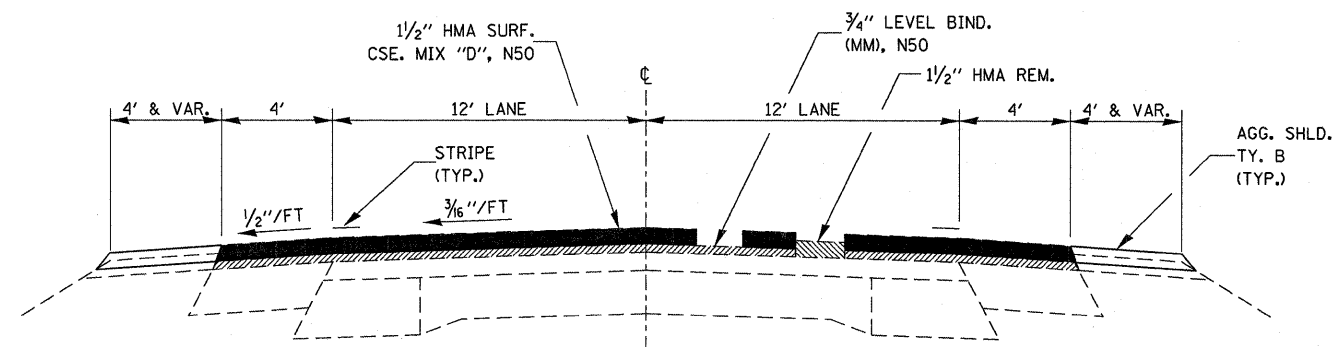


PROPOSED TYPICAL SECTION

STA. 274+52 TO STA. 435+56



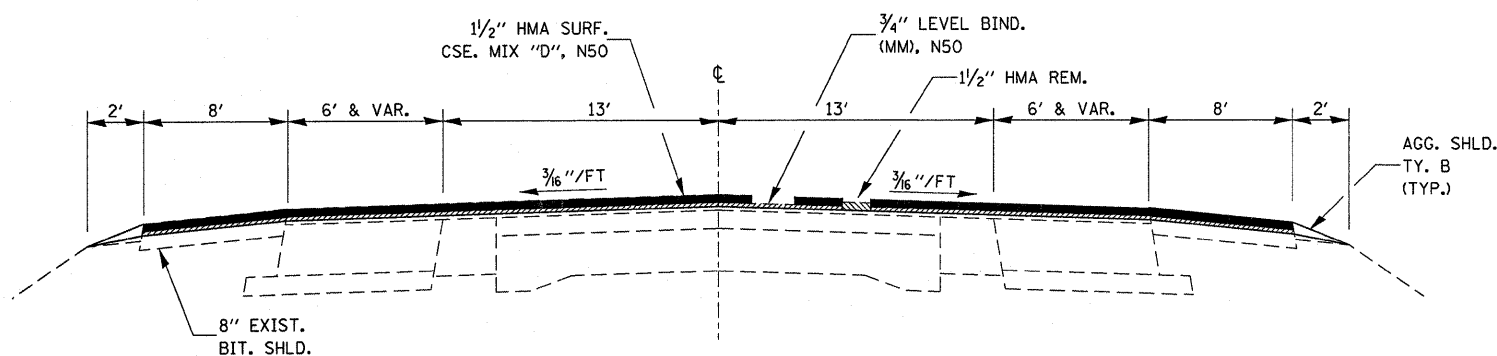
PROPOSED TYPICAL SECTION

STA. 435+56 TO STA. 963+82 (STA. 20+27.8 STATION EQUATION)

BRIDGE OMISSIONS:

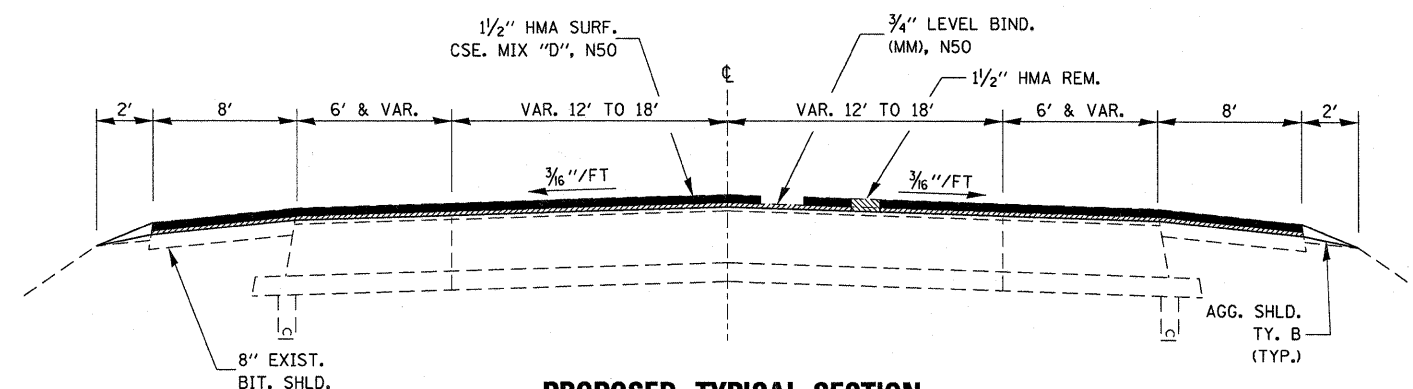
- SN 053-0062 STA. 568+38 TO STA. 569+98
- SN 053-0064 STA. 788+85 TO STA. 790+85
- SN 053-0065 STA. 851+47 TO STA. 852+87

	HMA LEVEL BINDER	HMA SURFACE
PG GRADE	PG64-22	PG64-22
DESIGN AIR VOIDS	4.0% @ N50	4.0% @ N50
MIXTURE COMPOSITION	IL 9.5	IL 12.5 or IL 9.5
FRICTION		
AGGREGATE		MIXTURE D



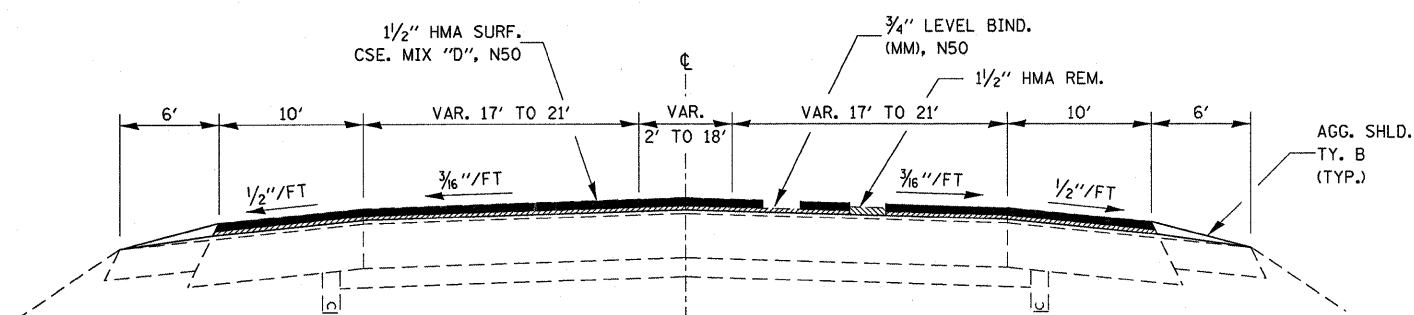
PROPOSED TYPICAL SECTION

STA. 20+27.8 TO STA. 29+73



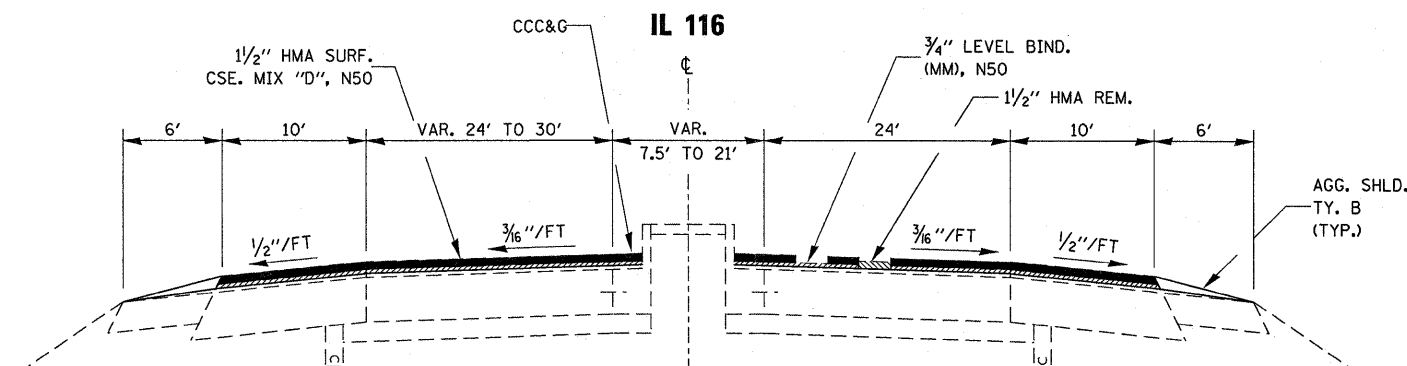
PROPOSED TYPICAL SECTION

STA. 29+73 TO STA. 36+46.7



PROPOSED TYPICAL SECTION

STA. 36+46 TO STA. 38+92



PROPOSED TYPICAL SECTION

STA. 38+92 TO STA. 40+59

FILE NAME =	USER NAME = corcoranlm	DESIGNED -	REVISED -
ca:\pwr\work\p1dot\corcoranlm\dms64429\1366845-SHEETS.dgn		DRAWN -	REVISED -
		CHECKED -	REVISED -
		DATE -	REVISED -

STATE OF ILLINOIS
DEPARTMENT OF TRANSPORTATION

IL 116 TYPICAL SECTIONS			
SCALE:	SHEET NO.	OF SHEETS	STA. TO STA.

F.A.P. RTE.	SECTION	COUNTY	TOTAL SHEETS	SHEET NO.
673	(111,112)RS-2&(112X)RS-5	LIVINGSTON	12	5
CONTRACT NO. 66845				
FED. ROAD DIST. NO.		ILLINOIS FED. AID PROJECT		