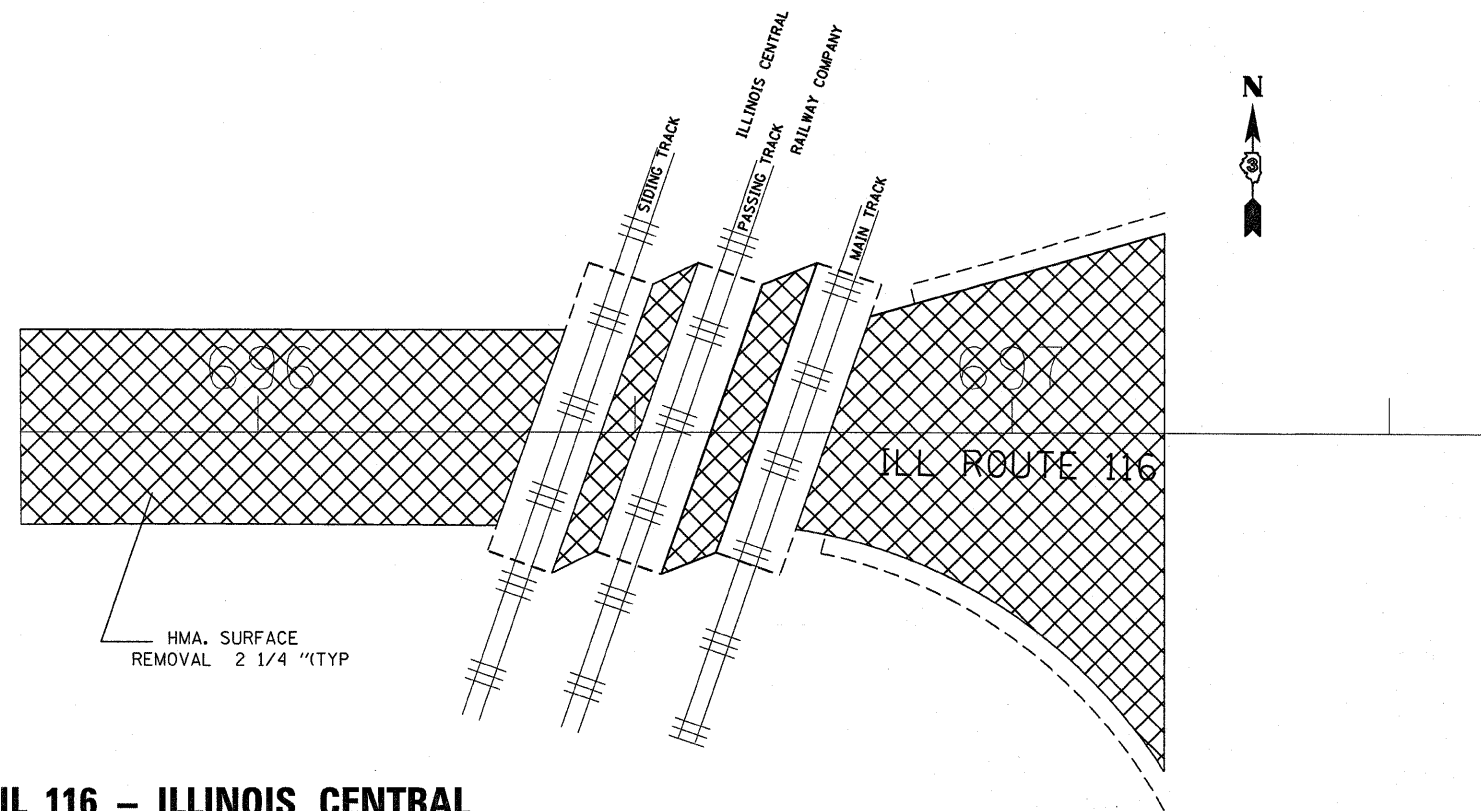
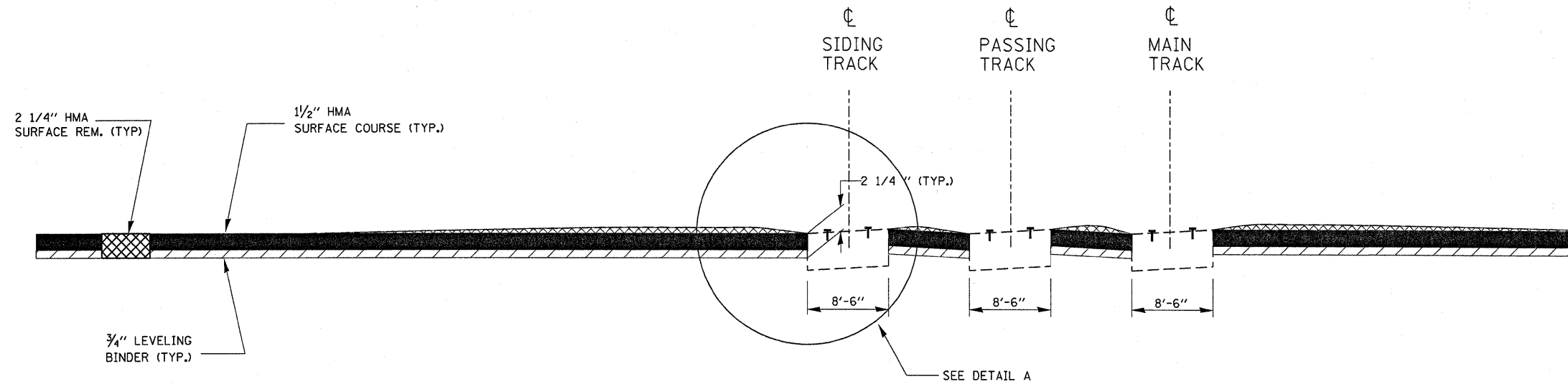


DETAIL A



PLAN VIEW AT IL 116 - ILLINOIS CENTRAL RAILWAY COMPANY GRADE CROSSING



HMA SURFACE REMOVAL DETAIL AT THE IL 116 / ILLINOIS CENTRAL RAILWAY COMPANY GRADE CROSSING

FILE NAME =	USER NAME = sellnr	DESIGNED -	REVISD -	STATE OF ILLINOIS DEPARTMENT OF TRANSPORTATION	DETAILS			F.A.P. RTE.	SECTION	COUNTY	TOTAL SHEETS	SHEET NO.
cr:\pw\work\pwidot\sellnr\d0119889\d36693	-sht-details.dgn	DRAWN -	REVISD -		681	(117,118)RS-3	IROQUOIS	11	9			
PLOT SCALE = 50.1606' / IN.	CHECKED -	REVISD -	REVISD -		SCALE: _____ SHEET NO. ___ OF ___ SHEETS			CONTRACT NO. 66931				
PLOT DATE = Jan 29, 2010 - 11:38:52 AM	DATE -	REVISD -	REVISD -		STA. _____ TO STA. _____			ILLINOIS FED. AID PROJECT				