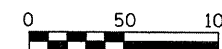
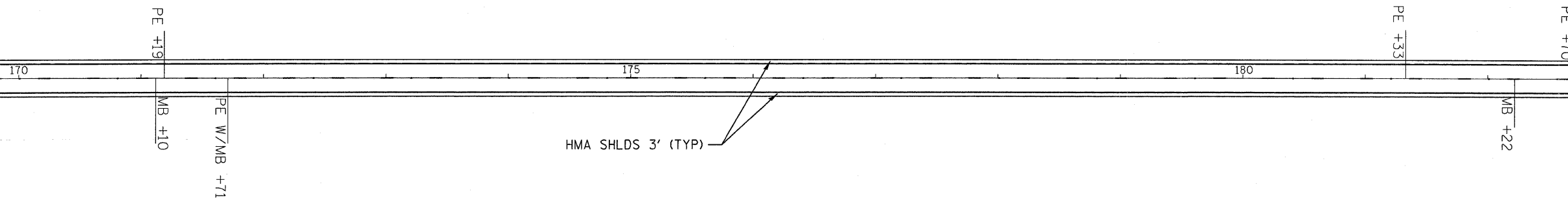




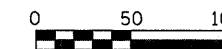
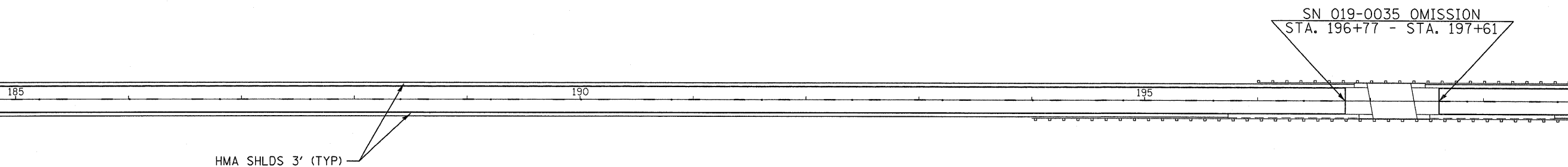
MATCH LINE STA. 169 + 00

MATCH LINE STA. 184 + 00



MATCH LINE STA. 184 + 00

MATCH LINE STA. 199 + 00



FILE NAME =	USER NAME = duncanbd	DESIGNED -	REVISED -
c:\pwork\pwork\IDOT\DUNCANBD\0129029\0366951-sht-cover.dgn		DRAWN -	REVISED -
		CHECKED -	REVISED -
		DATE -	REVISED -

**STATE OF ILLINOIS
DEPARTMENT OF TRANSPORTATION**

PLAN VIEW

SCALE: 1:50 SHEET NO. 2 OF 8 SHEETS STA. 169+00 TO STA. 199+00

F.A.P. RTE.	SECTION	COUNTY	TOTAL SHEETS	SHEET NO.
324	(25)RS-4	DEKALB	17	9
CONTRACT NO. 66951				
ILLINOIS FED. AID PROJECT				