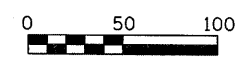
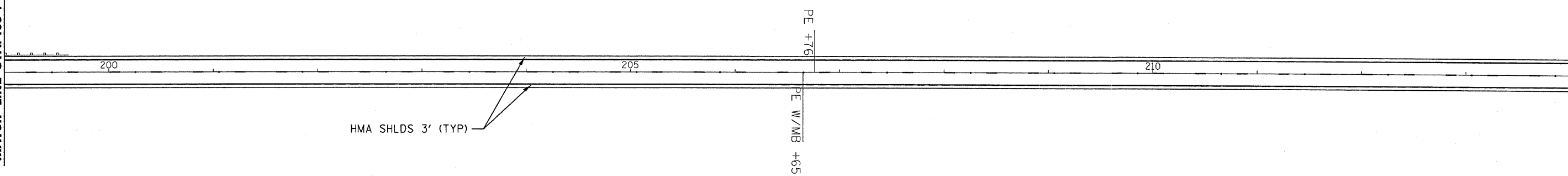




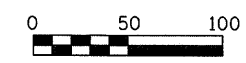
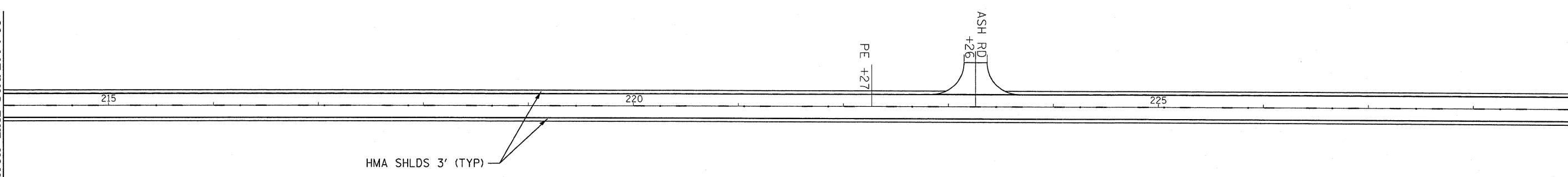
MATCH LINE STA. 199+00

MATCH LINE STA. 214+00



MATCH LINE STA. 214+00

MATCH LINE STA. 229+00



FILE NAME = c:\p\work\p\1001\duncanb0\d0129029\d36951-ah-cover.dgn	USER NAME = duncanbd	DESIGNED -	REVISED -	<b>STATE OF ILLINOIS</b> <b>DEPARTMENT OF TRANSPORTATION</b>	<b>PLAN VIEW</b>	F.A.P. RTE.	SECTION	COUNTY	TOTAL SHEETS	SHEET NO.
	PLOT SCALE = 50.0000' / IN.	CHECKED -	REVISED -			324	(25)RS-4	DEKALB	17	10
	PLOT DATE = Jan 15, 2010 - 02:02:21 PM	DATE -	REVISED -			CONTRACT NO. 66951				
						SCALE: 1:50	SHEET NO. 3 OF 8 SHEETS		STA. 199+00 TO STA. 229+00	