

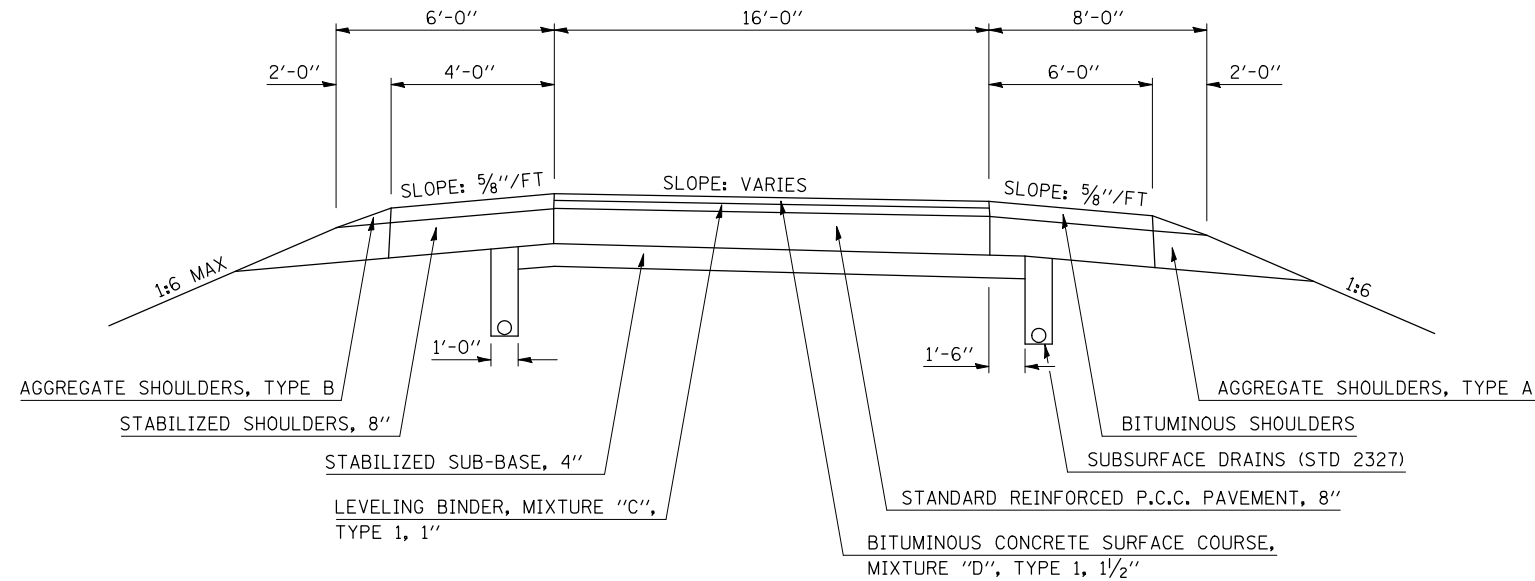
EXISTING TYPICAL CROSS SECTION 7R

F.A.I. RTE.	SECTION	COUNTY	TOTAL SHEETS	SHEET NO.
72	*	PIATT	251	20

*(58,74-66)&(74-67&68)RS-1
CONTRACT NO. 70022

F.A.I. 72 & F.A.S. 538 (BRIDGE STREET) INTERCHANGE RAMPS

	STATION	TO	STATION
RAMP A	101+19.88		124+11.52
RAMP B	200+00.00		219+88.42
RAMP C	300+00.00		324+11.52
RAMP D	400+00.00		419+88.40



PROPOSED TYPICAL CROSS SECTION 7R

F.A.I. 72 & F.A.S. 538 (BRIDGE STREET) INTERCHANGE RAMPS

	STATION	TO	STATION
RAMP A	101+19.88		124+11.52
RAMP B	200+00.00		219+88.42
RAMP C	300+00.00		324+11.52
RAMP D	400+00.00		419+88.40

TYPICAL NOTE: EARTH EXCAVATION FOR HMA SHOULDERS, 8" SHALL NOT BE MEASURED FOR PAYMENT. THE EXISTING EARTH SHOULDER SHALL BE REMOVED TO THE FACE ALONG THE EDGE OF THE EXISTING SHOULDER. THE MATERIAL REMOVED SHALL EITHER BECOME THE PROPERTY OF THE CONTRACTOR OR DISPOSED OF OUTSIDE THE LIMITS OF THE RIGHT-OF-WAY.

THIS WORK WILL BE PAID FOR AT THE CONTRACT UNIT PRICE PER SQUARE YARD FOR HOT-MIX ASPHALT SHOULDERS, 8", WHICH PRICE INCLUDES REMOVAL HAULING AND DISPOSAL OF THE MATERIAL AS WELL AS PLACING HOT-MIX ASPHALT SHOULDERS, 8" AND NO ADDITIONAL COMPENSATION WILL BE ALLOWED.

