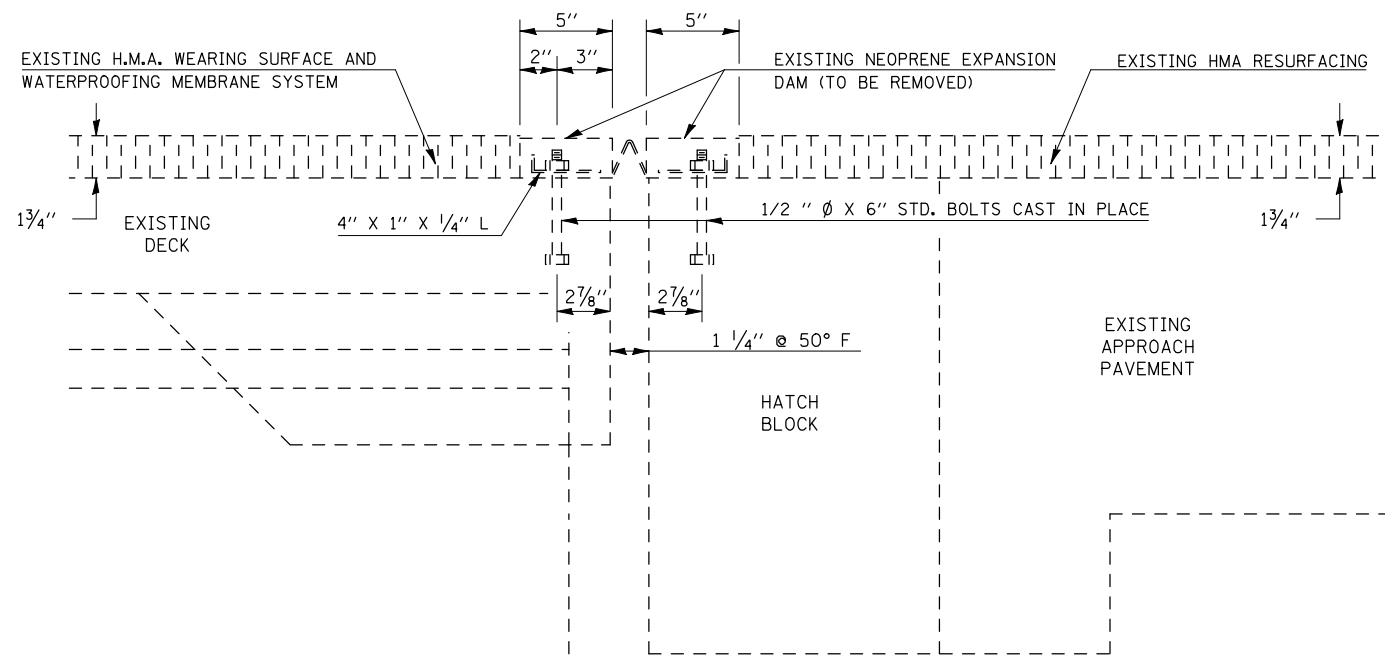
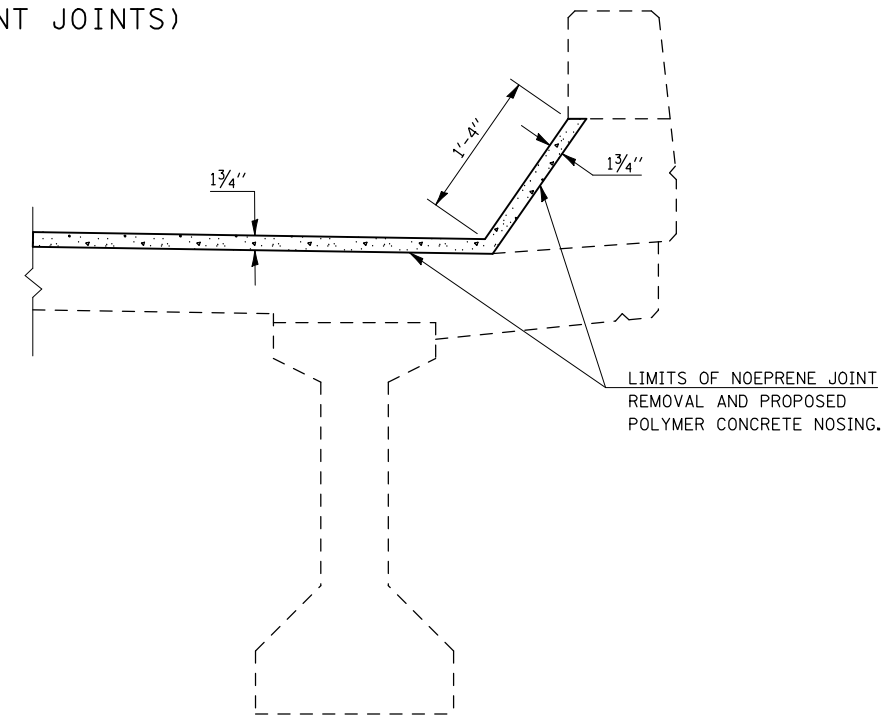


# JOINT REPAIR DETAILS S.N. 074-0062

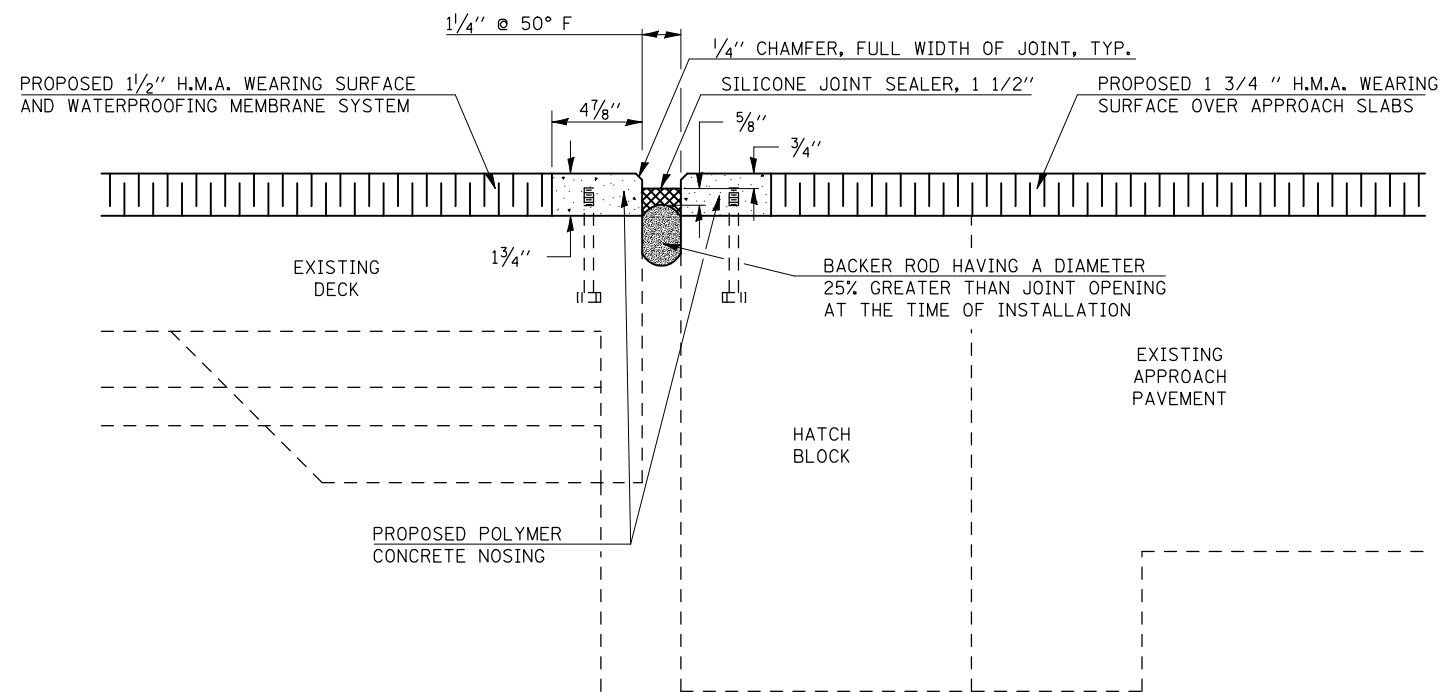
( NORTH AND SOUTH ABUTMENT JOINTS )



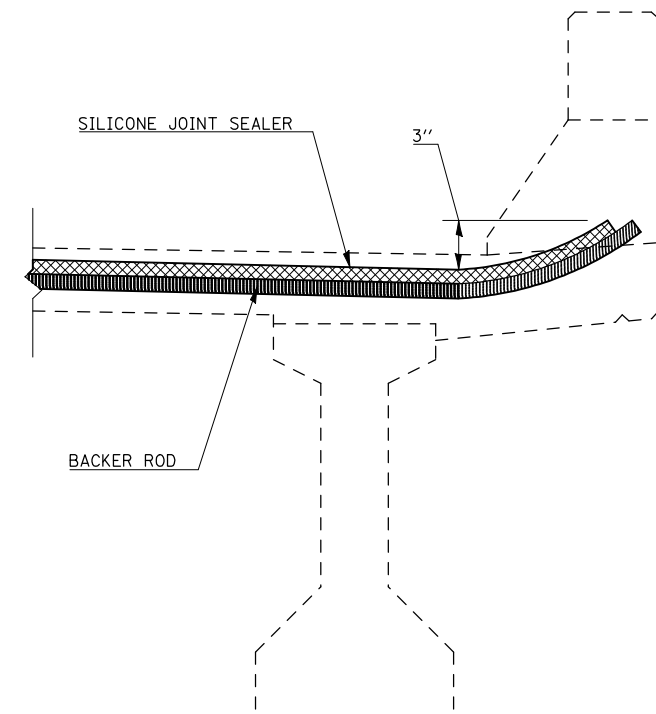
SECTION AT EXISTING JOINT



SECTION AT PARAPET  
POLYMER CONCRETE NOSING



SECTION AT PROPOSED JOINT



SECTION AT PARAPET  
SILICONE JOINT SEALER

### NOTES

REMOVE EXISTING NEOPRENE EXPANSION DAM AND REPLACE WITH SILICONE JOINT SEALER AND POLYMER CONCRETE NOSING.

REMOVAL OF THE EXISTING NEOPRENE EXPANSION DAM IS INCLUDED IN THE COST OF SILICONE JOINT SEALER, 1 1/2".

### BILL OF MATERIALS

ITEM	UNIT	TOTAL
SILICONE JOINT SEALER, 1 1/2"	FOOT	56.0
POLYMER CONCRETE	CU FT	6.9

FILE NAME =	USER NAME = ppersonbr	DESIGNED - GMS	REVISED -
ct:\pw\work\p\p\personbr\d0109687\70022-Bridge Repair Plan.dgn		DRAWN - GMS	REVISED -
	PLOT SCALE = 40.0000' / IN.	CHECKED -	REVISED -
	PLOT DATE = 2/8/2010	DATE -	REVISED -

**STATE OF ILLINOIS  
DEPARTMENT OF TRANSPORTATION**

**JOINT REPAIR DETAILS  
S.N. 074-0062**

SCALE: SHEET NO. 3 OF 6 SHEETS STA. TO STA.

F.A.I. RTE.	SECTION	COUNTY	TOTAL SHEETS	SHEET NO.
72	(58,74-66)&(74-67&68)RS-1	PIATT	251	159
CONTRACT NO. 70022				
ILLINOIS FED. AID PROJECT				